

在MGCP中的Hookflash传输

目录

[简介](#)

[先决条件](#)

[要求](#)

[使用的组件](#)

[规则](#)

[配置](#)

[网络图](#)

[VG200的配置](#)

[验证](#)

[故障排除](#)

[故障排除命令](#)

[相关信息](#)

简介

当您将在IP语音(VoIP)技术集成到传统专用交换机(PBX)和公共交换电话网络(PSTN)时，有时需要传递一种称为Hookflash的信令。Hookflash是在环路启动中继上环路电流的一个短暂中断，环路启动中继的连接系统不会由于呼叫断开而中断。

本文档重点介绍如何使用Cisco CallManager和媒体网关控制协议(MGCP)信令协议对模拟网关上的Hookflash传输进行故障排除。Cisco VG200平台用于运行MGCP协议的语音网关，Cisco CallManager版本3.2(2)c用作MGCP协议的呼叫代理(CA)。Cisco CallManager对Hookflash的解释是调用呼叫转移的附加功能。默认情况下，在Cisco CallManager上启用此功能。Hookflash的解释不能更改为代表会议或三路呼叫等其他功能。

先决条件

要求

在尝试进行此配置之前，请确保满足以下要求：

- 能够配置语音网关以与使用MGCP协议的Cisco CallManager通信。有关详细信息，请参阅文档[使用IOS MGCP网关 \(模拟FXO、FXS端口\) 配置Cisco CallManager 3.x](#)。
- 了解Hookflash和Hookflash用法的基本知识
- 能够在Cisco CallManager上启用捕获跟踪以进行调试捕获。有关过程，请参阅文档使用[Cisco CallManager跟踪收集工具进行诊断跟踪](#)。

使用的组件

本文档中的信息基于以下软件和硬件版本：

- VG200，带NM-2V 2语音和传真接口卡插槽网络模块和运行Cisco IOS®软件版本vg200-i6s-mz.122-12a.bin的VIC-2FXS 2端口外部交换站(FXS)语音接口卡(VIC)
- 带IP电话负载P00303020204的Cisco CallManager版本3.2(2)c
- 连接到VG200的两个模拟电话
- 两部IP电话注册到LAN上的Cisco CallManager

本文档中的信息都是基于特定实验室环境中的设备编写的。本文档中使用的所有设备最初均采用原始（默认）配置。如果您使用的是真实网络，请确保您已经了解所有命令的潜在影响。

规则

有关文档规则的详细信息，请参阅 [Cisco 技术提示规则](#)。

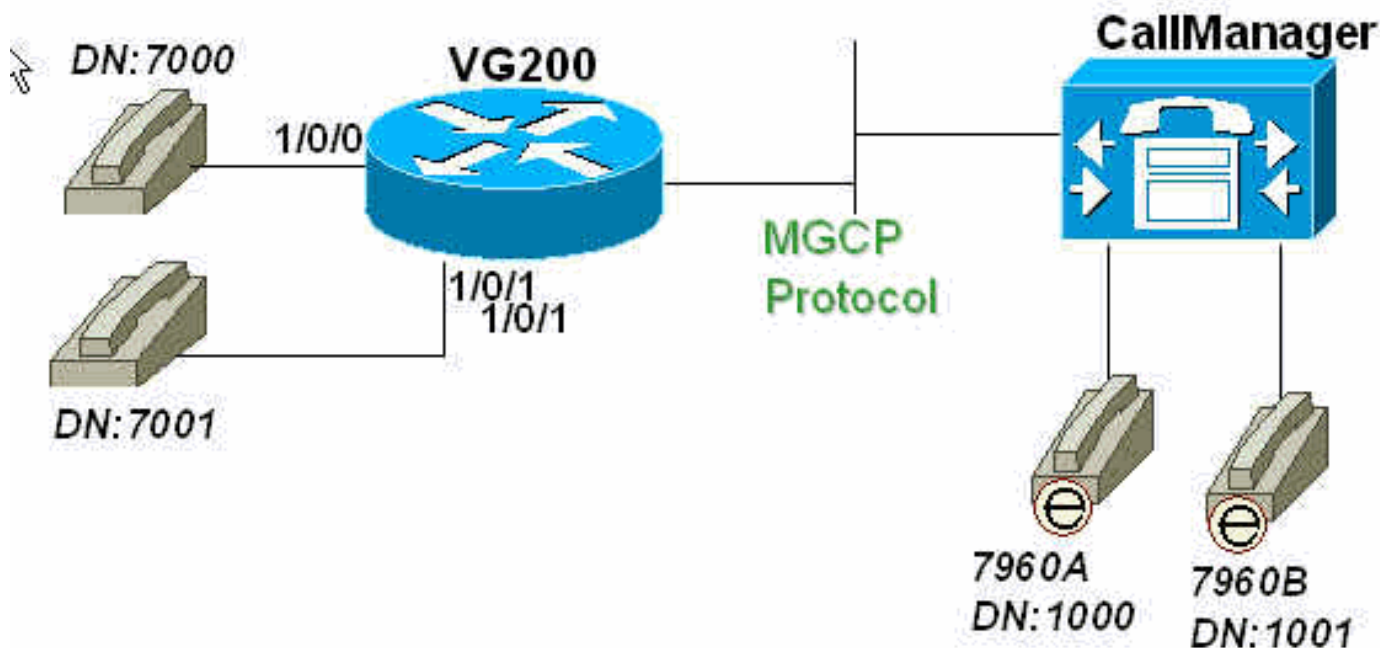
配置

本部分提供有关如何配置本文档所述功能的信息。

注：要查找有关本文档中使用的命令的其他信息，请使用命令[查找工具](#)([仅注册客户](#))。

网络图

本文档使用以下网络设置：



VG200的配置

VG200路由器指向Cisco CallManager(171.69.85.107)作为其CA。MGCP协议智能位于CA内，在本例中为Cisco CallManager。连接到VG200 FXS端口的模拟电话的拨号方案配置也完全在CA上配置

VG200网关

```
VG200-2# show run
Building configuration...

Current configuration : 869 bytes
!
version 12.2
no service pad
service timestamps debug datetime msec
service timestamps log datetime msec
no service password-encryption
!
hostname VG200-2
!
logging buffered 1000000 debugging
enable secret 5 $1$hDbz$WuPYPrmvFLIP6gMjuTG4e0
!
ip subnet-zero
no ip domain-lookup
!
mgcp
mgcp call-agent 171.69.85.107
mgcp dtmf-relay codec all mode out-of-band
call rsvp-sync
!
!
ccm-manager mgcp
!
!
interface FastEthernet0/0
 ip address 172.16.13.169 255.255.255.224
 duplex auto
 speed auto
!
ip classless
ip route 0.0.0.0 0.0.0.0 172.16.13.161
no ip http server
!
!
voice-port 1/0/0
!
voice-port 1/0/1
!
dial-peer voice 101 pots
  application mgcpapp
  port 1/0/1
!
dial-peer voice 100 pots
  application mgcpapp
  port 1/0/0
!
!
line con 0
line aux 0
line vty 0 4
 password ww
 login
!
ntp clock-period 17180017
```

```
ntp server 172.13.16.80
ntp server 172.16.13.80
end
```

验证

此部分提供您能使用的确认您的配置功能的信息。

注意：本部分中的命令用于验证MGCP端口的状态、CA相对于VG200的状态以及VG200上的模拟端口状态。

[命令输出解释程序工具（仅限注册用户）支持某些 show 命令](#)，使用此工具可以查看对 show 命令输出的分析。

- [show mgcp](#) — 发出以显示MGCP参数的值。
- [show ccm-manager](#) — 发出以显示Cisco CallManager服务器列表以及当前状态和可用性。
- [show mgcp endpoint](#) — 发出以显示由MGCP控制的终端的信息。
- [show mgcp statistics](#) — 发出以显示有关已接收和已传输网络消息的MGCP统计信息。
- [show voice port \[summary\]](#) — 显示有关特定语音端口的配置信息。

```
VG200-2# show mgcp
```

```
MGCP Admin State ACTIVE, Oper State ACTIVE - Cause Code NONE
!--- Be sure that both states are "ACTIVE". MGCP call-agent: 171.69.85.107 Initial protocol
service is MGCP
MGCP block-newcalls DISABLED
MGCP dtmf-relay codec all mode out-of-band
MGCP modem passthrough: CA
MGCP request timeout 500, MGCP request retries 3
MGCP gateway port: 2427, MGCP maximum waiting delay 3000
MGCP restart delay 0, MGCP vad DISABLED
MGCP simple-sdp DISABLED
MGCP undotted-notation DISABLED
MGCP codec type g711ulaw, MGCP packetization period 20
MGCP JB threshold lwm 30, MGCP JB threshold hwm 150
MGCP LAT threshold lwm 150, MGCP LAT threshold hwm 300
MGCP PL threshold lwm 1000, MGCP PL threshold hwm 10000
MGCP playout mode is adaptive 60, 4, 200 in msec
MGCP IP ToS low delay disabled, MGCP IP ToS high throughput disabled
MGCP IP ToS high reliability disabled, MGCP IP ToS low cost disabled
MGCP IP precedence 5, MGCP default package: line-package
MGCP supported packages: gm-package dtmf-package trunk-package line-package
                        hs-package
```

```
VG200-2# show ccm-manager
```

```
MGCP Domain Name: VG200-2
!--- Be sure that Cisco CallManager MGCP domain name field matches what !--- you see here. Total
number of host: 1 Priority          Status          Host
===== Primary
Registered          171.69.85.107
!--- The gateway shows registration with Cisco CallManager !--- (171.69.85.107). First
backup   Undefined          Second backup   Undefined          Current active Call
Manager: 171.69.85.107
Current backup Call Manager:      None
Redundant link port:              2428
Failover Interval:                30 seconds
Keepalive Interval:               15 seconds
Last keepalive sent:              3d03h (elapsed time: 00:00:04)
```

```
Last MGCP traffic time:          3d03h (elapsed time: 00:00:04)
Last switchover time:           None
Switchback mode:               Not selected (Default:Graceful)
```

VG200-2# show mgcp endpoint

```
voice-port 1/0/0
voice-port 1/0/1
```

VG200-2# show mgcp statistics

```
UDP pkts rx 18856, tx 18984
Unrecognized rx pkts 0, MGCP message parsing errors 0
Duplicate MGCP ack tx 0, Invalid versions count 0
CreateConn rx 55, successful 55, failed 0
DeleteConn rx 56, successful 55, failed 1
ModifyConn rx 214, successful 214, failed 0
DeleteConn tx 1, successful 1, failed 0
NotifyRequest rx 164, successful 164, failed 0
AuditConnection rx 0, successful 0, failed 0
AuditEndpoint rx 43, successful 43, failed 0
RestartInProgress tx 55, successful 55, failed 0
Notify tx 18282, successful 18282, failed 0
ACK tx 439, NACK tx 1
ACK rx 18357, NACK rx 16
```

IP address based Call Agents statistics:

```
IP address 171.69.85.107, Total msg rx 11814,
                        successful 11808, failed 4
IP address 172.16.13.152, Total msg rx 7042,
                        successful 6948, failed 13
```

VG200-2# show voice port summary

PORT	CH	SIG-TYPE	ADMIN	OPER	IN STATUS	OUT STATUS	EC
1/0/0	--	fxs-ls	up	dorm	on-hook	idle	y
1/0/1	--	fxs-ls	up	dorm	on-hook	idle	y

VG200-2#

故障排除

本部分提供的信息可用于对配置进行故障排除。

故障排除命令

成功呼叫的调试

本部分显示电话从FXS语音端口执行的Hookflash传输的成功、功能性调试捕获。

基本呼叫流程如下：

1. IP电话A (拨叫号码[DN]为1000) 从语音端口1/0/0呼叫VG200电话C (DN为7000) 。
2. 电话C应答呼叫，然后快速挂机和摘机执行摘机。
3. VG200将信号检测为Hookflash，并将信令转发到使用MGCP的Cisco CallManager。
4. Cisco CallManager向VG200发回响应，并指示VG200播放拨号音并将IP电话A置于保留状态。
5. 然后，电话C上的用户拨打IP电话B分机 (DN为1001) 。 VG200收集数字并将呼叫转发到

Cisco CallManager。

6. 一旦Cisco CallManager找到匹配的拨号模式，CallManager就会振铃IP电话B并等待应答。
7. IP电话B摘机，Cisco CallManager连接双方（IP电话A和IP电话B）。
8. 呼叫转接完成。

以下是在VG200路由器上启用的用于排除和调试路由器上捕获日志文件的有用调试的列表：

注意：在发出debug命令之前，请参阅[有关debug命令的重要信息](#)。

- [debug mgcp \[packets\]](#) — 发出以查看Cisco CallManager和路由器之间交换的完整MGCP数据包。

```
VG200-2# debug mgcp packet
Media Gateway Control Protocol packets debugging is on
```

- [debug vpm signal](#) — 发出以查看语音端口的挂机和摘机信令。

```
VG200-2# debug vpm signal
Voice Port Module signaling debugging is enabled
```

- [debug vtsp dsp](#) — 发出命令查看路由器上执行的数字收集。

```
VG200-2# debug vtsp dsp
Voice telephony call control dsp debugging is on
```

- [debug vtsp tone](#) — 发出以查看路由器生成的任何音，如拨号音、忙音或快速忙音。

```
VG200-2# debug vtsp tone
Voice telephony call control tone generation debugging is on
```

这是呼叫流进行时VG200上日志的开始。

注意：由于空间限制，此处的部分输出显示在多行上。

```
VG200-2# show log
```

```
Syslog logging: enabled (0 messages dropped, 0 messages rate-limited, 2
 flushes, 0 overruns)
  Console logging: level debugging, 58646 messages logged
  Monitor logging: level debugging, 6066 messages logged
  Buffer logging: level debugging, 57766 messages logged
  Logging Exception size (4096 bytes)
  Trap logging: level informational, 45 message lines logged
```

```
Log Buffer (1000000 bytes):
```

```
*Mar  4 03:40:38.339: MGCP Packet received -
CRCX 689 AALN/S1/SU0/0@VG200-2 MGCP 0.1
```

```
!--- A create connection (CRCX) request with sequence number 689 is received !--- from Cisco
CallManager to set up the call for voice port 1/0/0. C: A000000010001b9 X: 31 M: inactive
```

```
      R: L/hd !--- "R: L/hd" is the Cisco CallManager request to be notified if
the line !--- package (L) signal off-hook (hd) is detected. S: L/rg !--- "S: L/rg" indicates
that Cisco CallManager sends a signal generation !--- request (S) to have the gateway line
package ring (rg) the phone. Q: process,loop *Mar  4 03:40:38.347:htsp_process_event: [1/0/0,
FXSLS_ONHOOK, E_HTSP_SETUP_REQ]fxsls_
```

```
  onhook_setu
```

```
!--- The FXS voice port 1/0/0 has received an event, a set-up request. *Mar  4 03:40:38.347:
[1/0/0] set signal state = 0x0 timestamp = 0 *Mar  4 03:40:38.347: dsp_close_voice_channel:
[1/0/0 (168)] packet_len=8 channel_id=1 packet_id=75 *Mar  4 03:40:38.347:
dsp_open_voice_channel_20: [1/0/0 (168)] packet_len=16 channel_id=1 packet_id=74
alaw_ulaw_select=0 associated_signaling_channel=128 time_slot=65535 serial_port=65535 *Mar  4
03:40:38.347: dsp_encap_config: [1/0/0 (168)] packet_len=30 channel_id=1 packet_id=92
TransportProtocol 2 t_ssrc=0x0 r_ssrc=0x0 t_vpxcc=0x0 r_vpxcc=0x0 sid_support=1,
tse_payload=65535, seq_num=0xCE9, redundancy=0 *Mar  4 03:40:38.351: dsp_set_playout_delay *Mar
4 03:40:38.351: dsp_set_playout: [1/0/0 (168)] packet_len=18 channel_id=1 packet_id=76 mode=1
initial=60 min=40 max=200 fax_nom=300 *Mar  4 03:40:38.351: dsp_set_playout_config: [1/0/0
```

(168)] packet_len=18 channel_id=1 packet_id=76 mode=1 initial=60 min=4 max=200 fax_nom=300 *Mar 4 03:40:38.351: dsp_echo_canceler_control: echo_cancel: 1 *Mar 4 03:40:38.351: dsp_echo_canceler_control: [1/0/0 (168)] echo_cancel 1, disable_hpf 0, flags=0x0, threshold=-21 *Mar 4 03:40:38.351: dsp_echo_canceler_control: [1/0/0 (168)] packet_len=14 channel_id=1 packet_id=66 flags=0x0, threshold=-21, suppressor_coverage=7 *Mar 4 03:40:38.351: dsp_idle_code_det: [1/0/0 (168)] packet_len=14 channel_id=1 packet_id=116 enable=0, code=0, duration=6000 *Mar 4 03:40:38.355: set_gains: FXx/E&M: msg->message.set_codec_gains.out_gain=65506 *Mar 4 03:40:38.355: dsp_set_gains: [1/0/0 (168)] packet_len=12 channel_id=1 packet_id=91 in_gain=0 out_gain=65506 *Mar 4 03:40:38.355: dsp_vad_enable: [1/0/0 (168)] enable: packet_len=16 channel_id=1 packet_id=78 thresh=-38 vadtime=250 aggressive=0 *Mar 4 03:40:38.359: dsp_idle_mode: [1/0/0 (168)] packet_len=8 channel_id=1 packet_id=68 *Mar 4 03:40:38.363: dsp_encap_config: [1/0/0 (168)] packet_len=30 channel_id=1 packet_id=92 TransportProtocol 2 t_ssrc=0x0 r_ssrc=0x0 t_vpxcc=0x0 r_vpxcc=0x0 sid_support=0, tse_payload=65535, seq_num=0x534, redundancy=0 *Mar 4 03:40:38.363: dsp_voice_mode: [1/0/0 (168)] cdb 8127AD60, cdb->codec_params.modem 2, inband_detect flags 0x21 *Mar 4 03:40:38.363: map_dtmf_relay_type--digit relay mode: 3 *Mar 4 03:40:38.363: dsp_voice_mode: [1/0/0 (168)] packet_len=24 channel_id=1 packet_id=73 coding_type=1 voice_field_size=160 VAD_flag=0 echo_length=64 comfort_noise=1 inband_detect=33 digit_relay_mode=3 AGC_flag=0 *Mar 4 03:40:38.363: dsp_vad_enable: [1/0/0 (168)] disable: packet_len=8 channel_id=1 packet_id=77 *Mar 4 03:40:38.363: htsp_process_event: [1/0/0, FXSLS_ONHOOK, E_HTSP_VOICE_CUT_THROUGH] *Mar 4 03:40:38.367: send_mgcp_msg, MGCP Packet sent --> 200 689 OK !--- The router sends "200 OK" back to Cisco CallManager to acknowledge !--- the CRCX with sequence number 689. I: 39 v=0 o=- A0000000010001b9 0 IN IP4 172.16.13.169 s=Cisco SDP 0 c=IN IP4 172.16.13.169 t=0 0 m=audio 16384 RTP/AVP 0 8 96 97 98 2 99 100 101 102 103 104 18 a=rtpmap:96 G.729a/8000/1 a=rtpmap:97 G.726-16/8000/1 a=rtpmap:98 G.726-24/8000/1 a=rtpmap:99 G.728/8000/1 a=rtpmap:100 G.723.1-H/8000/1 a=rtpmap:101 G.723.1-L/8000/1 a=rtpmap:102 G.729b/8000/1 a=rtpmap:103 G.723.1a-H/8000/1 a=rtpmap:104 G.723.1a-L/8000/1 <--- *Mar 4 03:40:38.371: htsp_process_event: [1/0/0, FXSLS_ONHOOK, E_HTSP_POWER_RINGING] fxsls_onhook_ringing !--- The router instructs to ring the phone off voice port 1/0/0. *Mar 4 03:40:38.371: [1/0/0] set signal state = 0x0 timestamp = 0htsp_alert *Mar 4 03:40:40.819: vtsp_process_dsp_message: MSG_TX_GET_TX_STAT: rtp_timestamp= 0xB23DAB2A *Mar 4 03:40:43.280: vtsp_process_dsp_message: MSG_TX_GET_TX_STAT: rtp_timestamp= 0xB23DF80A *Mar 4 03:40:45.740: vtsp_process_dsp_message: MSG_TX_GET_TX_STAT: rtp_timestamp= 0xB23E44EA *Mar 4 03:40:48.200: vtsp_process_dsp_message: MSG_TX_GET_TX_STAT: rtp_timestamp= 0xB23E91CA *Mar 4 03:40:49.116: htsp_process_event: [1/0/0, FXSLS_WAIT_OFFHOOK, E_DSP_SIG_1100] fxsls_waitoff_offhook !--- The router waits for the called party to pick up the phone. *Mar 4 03:40:49.116: [1/0/0] set signal state = 0x4 timestamp = 0 *Mar 4 03:40:49.116: [1/0/0] set signal state = 0x6 timestamp = 0 htsp_dial *Mar 4 03:40:49.116: htsp_process_event: [1/0/0, FXSLS_CONNECT, E_DSP_DIALING_DONE] !--- The router detects that the called party went off-hook, went into !--- the CONNECT state, and connected both parties. *Mar 4 03:40:49.116: dsp_cp_tone_off: [1/0/0 (168)] packet_len=8 channel_id=1 packet_id= 71 *Mar 4 03:40:49.116: dsp_cp_tone_off: [1/0/0 (168)] packet_len=8 channel_id=1 packet_id= 71 *Mar 4 03:40:49.120: send_mgcp_msg, MGCP Packet sent ---> NTFY 18351 AALN/S1/SU0/0@VG200-2 MGCP 0.1 !--- The router sends the notify (NTFY) message to Cisco CallManager with sequence number !--- 18351 to inform CallManager of the off-hook status. X: 31 O: L/hd !--- "L/hd" indicates line package and off-hook. <--- *Mar 4 03:40:49.120: dsp_cp_tone_off: [1/0/0 (168)] packet_len=8 channel_id=1 packet_id= 71 *Mar 4 03:40:49.120: act_gen_tone: Tone Busy generated in direction Network, stop_tone_on_digit = FALSE *Mar 4 03:40:49.124: MGCP Packet received - 200 18351 !--- The router receives the 200 "OK" acknowledgement !--- from Cisco CallManager !--- for sequence number 18351. *Mar 4 03:40:49.152: MGCP Packet received - MDCX 690 AALN/S1/SU0/0@VG200-2 MGCP 0.1 !--- The router receives the modify connect (MDCX) message from Cisco CallManager !--- with sequence number 690. C: A0000000010001b9 I: 39 X: 32 L: p:20, a:PCMU, s:off !--- "L: p:20, a:PCMU, s:off" indicates line package 20 bytes payload !--- with coder-decoder !--- (codec) G.711ulaw and voice activity detection (VAD) disabled. M: recvonly !--- "M: recvonly" indicates that media (M) mode went !--- into the receive only state. R: L/hu !--- "R: L/hu" indicates the Cisco CallManager request to be notified if !--- line package detects an on-hook (hu) status. Q: process,loop *Mar 4 03:40:49.160: send_mgcp_msg, MGCP Packet sent ---> 200 690 OK !--- The router sends a "200 OK" back to Cisco CallManager !--- and acknowledges the !--- MDCX

sequence number 690. <--- *Mar 4 03:40:49.168: **MGCP Packet received -**
MDCX 691 AALN/S1/SU0/0@VG200-2 MGCP 0.1
!--- The router has received MDCX with sequence number 691. C: A0000000010001b9 I: 39 X: 33 L: p:20, a:PCMU, s:off M: sendrecv !--- "M: sendrecv" indicates a change of the media state to sendrecv !--- (audio in both directions). R: L/lu, L/hf, D/[0-9ABCD#] !--- "R: L/lu, L/hf" indicates the Cisco CallManager request !--- to be notified if line package on-hook and hookflash (hf) are detected. !--- "D/[0-9ABCD*#]" indicates the Cisco CallManager request to be notified if the router !--- detects any dual tone multifrequency (DTMF) tones or digits. S: Q: process,loop v=0 o=- 57 0 IN EPN AALN/S1/SU0/0@VG200-2 s=Cisco SDP 0 t=0 0 c=IN IP4 10.17.178.246 !--- "c: IN IP4 10.17.178.246" is the IP address !--- of the remote IP phone for the Real-Time Transport Protocol (RTP) voice traffic. m=audio 16922 RTP/AVP 0 !--- "m: audio 16922 RTP/AVP 0" is the User Datagram Protocol (UDP) port !--- used by the remote IP phone for the RTP voice traffic and codec is g711ulaw. *Mar 4 03:40:49.176: dsp_idle_mode: [1/0/0 (168)] packet_len=8 channel_id=1 packet_id=68 *Mar 4 03:40:49.176: dsp_voice_mode: [1/0/0 (168)] cdb 8127AD60, cdb->codec_params.modem 2, inband_detect flags 0x421 *Mar 4 03:40:49.176: map_dtmf_relay_type--digit relay mode: 3 *Mar 4 03:40:49.176: dsp_voice_mode: [1/0/0 (168)] packet_len=24 channel_id=1 packet_id= 73 coding_type=1 voice_field_size=160 VAD_flag=0 echo_length=64 comfort_noise=1 inband_detect=1057 digit_relay_mode=3 AGC_flag=0 *Mar 4 03:40:49.176: htsp_process_event: [1/0/0, FXSLS_CONNECT, E_HTSP_VOICE_CUT_THROUGH] !--- The router cuts through the audio in both directions. *Mar 4 03:40:49.180: send_mgcp_msg, **MGCP Packet sent --->**
200 691 OK
*!--- The router sends "200 OK" back to acknowledge the MDCX 691. <--- *Mar 4 03:40:51.944: vtsp_process_dsp_message: MSG_TX_GET_TX_STAT: rtp_timestamp= 0xD662FC5C *Mar 4 03:40:52.296: htsp_process_event: [1/0/0, FXSLS_CONNECT, E_DSP_SIG_0100] fxsls_offhook_onhook, HF duration=500 *Mar 4 03:40:52.296: htsp_timer - 500 msec *Mar 4 03:40:52.732: htsp_process_event: [1/0/0, FXSLS_CONNECT, E_DSP_SIG_1100] fxsls_offhook_offhook *Mar 4 03:40:52.736: htsp_timer_stop !--- The router detects on-hook and off-hook signaling. Once on-hook is detected, !--- an HTSP_timer is started for 500 milliseconds (msec) (the default value). !--- Once the off-hook is detected, the timer stops. Notice the time difference between !--- the on-hook and off-hook signal. The difference in time is 440 msec !--- (732 msec - 296 msec = 440 msec). This difference, 440 msec, is within the hookflash !--- timer (500) defined on the router, thus the router considers this action to be a !--- hookflash and reports it back to Cisco CallManager by MGCP. *Mar 4 03:40:52.736: send_mgcp_msg, **MGCP Packet sent --->***
NTFY 18352 AALN/S1/SU0/0@VG200-2 MGCP 0.1
*!--- The router reports the hookflash event back to Cisco CallManager. X: 33 O: L/hf !--- "O: L/hf" indicates the observed (O) hookflash event. <--- *Mar 4 03:40:52.740: **MGCP Packet received -**
200 18352
*!--- Cisco CallManager responds back with "200 OK". *Mar 4 03:40:52.768: **MGCP Packet received -***
MDCX 692 AALN/S1/SU0/0@VG200-2 MGCP 0.1
*!--- The router receives an MDCX message with sequence number 692. C: A0000000010001b9 I: 39 X: 34 M: recvonly !--- "M: recvonly" indicates a change in the media mode to receive only. R: L/lu !--- "R: L/lu" is the Cisco CallManager request to be notified when the !--- router line package detects on-hook. Q: process,loop *Mar 4 03:40:52.776: send_mgcp_msg, **MGCP Packet sent --->***
200 692 OK
*!--- The router sends back "200 OK" to acknowledge Cisco CallManager MDCX 692. <--- *Mar 4 03:40:52.788: **MGCP Packet received -***
RQNT 693 AALN/S1/SU0/0@VG200-2 MGCP 0.1
!--- The router receives request notification (RQNT) for Cisco CallManager !--- to play the dial tone and watch for on-hook and DTMF digits. X: 35 R: L/lu, D/[0-9ABCD#] !--- "R: L/lu, D/[0-9ABCD*#]" is the Cisco CallManager request !--- to be notified if the router line package detects an on-hook event !--- and any DTMF tones or digits. S: L/dl !--- "S: L/dl" indicates that Cisco CallManager sends !--- a signal generation request to have the router play the dial tone (dl). Q: process,loop *Mar 4 03:40:52.792: send_mgcp_msg, **MGCP Packet sent --->***
200 693 OK
*!--- The router sends back "200 OK" to the Cisco CallManager !--- request notification sequence number 693. <--- *Mar 4 03:40:52.796: dsp_cp_tone_off: [1/0/0 (168)] packet_len=8 channel_id=1 packet_id= 71 *Mar 4 03:40:52.796: act_gen_tone: Tone Dial generated in direction Network, stop_tone_on_digit = TRUE***

!--- The router plays the dial tone toward to the user off the voice port 1/0/0. *Mar 4 03:40:52.796: dsp_cp_tone_on: [1/0/0 (168)] packet_len=38 channel_id=1 packet_id= 72 tone_id=4 n_freq=2 freq_of_first=350 freq_of_second=440 amp_of_first=6942 amp_of_second=6942 direction=1 on_time_first=65535 off_time_first=0 on_time_second=0 off_time_second=0 *Mar 4 03:40:54.156: vtsp_process_dsp_message: MSG_TX_GET_TX_STAT: rtp_timestamp= 0xD663416C *Mar 4 03:40:55.892: vtsp_process_dsp_message: **MSG_TX_DTMF_DIGIT_BEGIN: digit=1,** rtp_timestamp=0xD6637628

!--- The router detects the first digit (digit 1) dialed by the user !--- off the voice port 1/0/0. *Mar 4 03:40:55.972: vtsp_process_dsp_message: **MSG_TX_DTMF_DIGIT_OFF: digit=1, duration= 110**

*Mar 4 03:40:55.972: dsp_cp_tone_off: [1/0/0 (168)] packet_len=8 channel_id=1 packet_id=71

*Mar 4 03:40:55.976: send_mgcp_msg, **MGCP Packet sent --->**
NTFY 18353 AALN/S1/SU0/0@VG200-2 MGCP 0.1

!--- The router notifies Cisco CallManager of the first digit detected. X: 35 O: D/1 *!--- "O: D/1" indicates the observed DTMF digit 1 (D/1).* <--- *Mar 4 03:40:55.976: dsp_cp_tone_off: [1/0/0 (168)] packet_len=8 channel_id=1 packet_id= 71 *Mar 4 03:40:55.976: **act_gen_tone: Tone Busy generated in direction Network,** stop_tone_on_digit = FALSE

!--- The router stops playing the dial tone to the user off the voice port. *Mar 4 03:40:55.980: **MGCP Packet received - 200 18353**

!--- The router receives "200 OK" back from !--- Cisco CallManager for NTFY sequence number 18353. *Mar 4 03:40:55.980: MGCP Packet received - RQNT 694 AALN/S1/SU0/0@VG200-2 MGCP 0.1 *!--- Cisco CallManager instructs the router to continue to detect !--- DTMF tones or digits and watch for an on-hook event.* X: 36 R: L/hu, D/[0-9ABCD*#], L/hf *!--- "R: L/hu, D/[0-9ABCD*#], L/hf" indicates !--- the Cisco CallManager request to be notified of on-hook, !--- hookflash events and if any DTMF digits or tones are detected.* S: Q: process,loop *Mar 4 03:40:55.984: send_mgcp_msg, **MGCP Packet sent --->**
200 694 OK

!--- The router responds back with "200 OK". <--- *Mar 4 03:40:56.232: vtsp_process_dsp_message: **MSG_TX_DTMF_DIGIT_BEGIN: digit=0,** rtp_timestamp=0xD66380C8

*Mar 4 03:40:56.332: vtsp_process_dsp_message: **MSG_TX_DTMF_DIGIT_OFF: digit=0, duration= 130**

!--- The router detects another digit (digit 0 with 130 msec duration). *Mar 4 03:40:56.332: send_mgcp_msg, **MGCP Packet sent --->**
NTFY 18354 AALN/S1/SU0/0@VG200-2 MGCP 0.1

!--- The router sends !--- a notify message to Cisco CallManager regarding this digit (0). X: 36 O: D/0 <--- *Mar 4 03:40:56.336: **MGCP Packet received - 200 18354**

!--- Cisco CallManager responds back with "200 OK". *Mar 4 03:40:56.572: vtsp_process_dsp_message: **MSG_TX_DTMF_DIGIT_BEGIN: digit=0,** rtp_timestamp=0xD6638B68

*Mar 4 03:40:56.712: vtsp_process_dsp_message: **MSG_TX_DTMF_DIGIT_OFF: digit=0, duration= 170**

!--- The router detects another digit (digit 0 with a duration of 170 msec). *Mar 4 03:40:56.712: send_mgcp_msg, **MGCP Packet sent --->**
NTFY 18355 AALN/S1/SU0/0@VG200-2 MGCP 0.1

!--- The router sends !--- a notify message to Cisco CallManager regarding this digit (0). X: 36 O: D/0 <--- *Mar 4 03:40:56.716: **MGCP Packet received - 200 18355**

!--- Cisco CallManager responds back with "200 OK". *Mar 4 03:40:57.032: vtsp_process_dsp_message: **MSG_TX_DTMF_DIGIT_BEGIN: digit=1,** rtp_timestamp=0xD66399C8

*Mar 4 03:40:57.112: vtsp_process_dsp_message: **MSG_TX_DTMF_DIGIT_OFF: digit=1, duration= 110**

!--- The router detects another digit (digit 1 with a duration of 110 msec). *Mar 4 03:40:57.112: **send_mgcp_msg, MGCP Packet sent --->**
NTFY 18356 AALN/S1/SU0/0@VG200-2 MGCP 0.1

!--- The router sends a notify message to Cisco CallManager !--- regarding this digit (1). X: 36

```

O: D/1 <--- *Mar 4 03:40:57.120: MGCP Packet received -
200 18356
!--- Cisco CallManager responds back with "200 OK". *Mar 4 03:40:57.148: MGCP Packet received -
RQNT 695 AALN/S1/SU0/0@VG200-2 MGCP 0.1
!--- The router receives a request notification from Cisco CallManager. X: 37 R: L/hu !--- "R:
L/hu" is the Cisco CallManager request to be notified if the !--- router line package detects an
on-hook. S: G/rt !--- "S:G/rt" indicates that Cisco CallManager sends !--- a signal generation
request to have the router use a generic (G) package !--- and play ring-back tone. Q:
process,loop *Mar 4 03:40:57.152: send_mgcp_msg, MGCP Packet sent --->
200 695 OK
!--- The router responds back with "200 OK". <--- *Mar 4 03:40:57.156: dsp_cp_tone_off: [1/0/0
(168)] packet_len=8 channel_id=1 packet_id= 71 *Mar 4 03:40:57.156: act_gen_tone: Tone Ring
Back generated in direction Network, stop_tone_on_digit = FALSE *Mar 4 03:40:57.156:
dsp_cp_tone_on: [1/0/0 (168)] packet_len=38 channel_id=1 packet_id= 72 tone_id=1 n_freq=2
freq_of_first=440 freq_of_second=480 amp_of_first=7354 amp_of_ second=7354 direction=1
on_time_first=2000 off_time_first=4000 on_time_second=0 off_ time_second=0 *Mar 4 03:40:57.224:
MGCP Packet received -
DLCX 696 AALN/S1/SU0/0@VG200-2 MGCP 0.1
!--- The router has received a delete connection (DLCX) from !--- Cisco CallManager to
disconnect the connection. C: A0000000010001b9 I: 39 X: 38 R: L/hu !--- "R: L/hu" indicates the
Cisco CallManager request to be notified !--- when the router detects the on-hook signal. S: Q:
process,loop *Mar 4 03:40:57.228: dsp_cp_tone_off: [1/0/0 (168)] packet_len=8 channel_id=1
packet_id= 71 *Mar 4 03:40:57.228: act_gen_tone: Tone Busy generated in direction Network,
stop_tone_on_digit = FALSE *Mar 4 03:40:57.228: send_mgcp_msg, MGCP Packet sent --->
250 696 OK
!--- The router responds back with "250 OK" to clear the call !--- (250 means connection
deleted). P: PS=180, OS=28800, PR=177, OR=28320, PL=0, JI=352, LA=0 <---
*Mar 4 03:41:00.152: htsp_process_event: [1/0/0, FXSLS_CONNECT, E_DSP_SIG_0100]
fxspls_offhook_onhook, HF duration=500
*Mar 4 03:41:00.652: htsp_process_event: [1/0/0, FXSLS_CONNECT, E_HTSP_EVENT_TIMER]
fxspls_connect_wait_release_req
!--- The router disconnects the call from the voice port 1/0/0. *Mar 4 03:41:00.652:
htsp_timer_stop *Mar 4 03:41:00.652: dsp_cp_tone_off: [1/0/0 (168)] packet_len=8 channel_id=1
packet_id= 71 *Mar 4 03:41:00.656: act_gen_tone: Tone Busy generated in direction Network,
stop_tone_on_digit = FALSE *Mar 4 03:41:00.656: dsp_get_levels: [1/0/0 (168)] packet_len=8
channel_id=1 packet_id=89 *Mar 4 03:41:00.656: vtsp_process_dsp_message: MSG_TX_GET_TX_STAT:
rtp_timestamp= 0xD6640CA0 *Mar 4 03:41:00.656: dsp_idle_mode: [1/0/0 (168)] packet_len=8
channel_id=1 packet_id=68 *Mar 4 03:41:00.656: htsp_process_event: [1/0/0,
FXSLS_WAIT_RELEASE_REQ,
E_HTSP_RELEASE_REQ]fxspls_waitrls_req_rl
!--- The router disconnects the call from the voice port 1/0/0 *Mar 4 03:41:00.656: [1/0/0] set
signal state = 0x4 timestamp = 0htsp_report_onhook_sig *Mar 4 03:41:00.660: dsp_cp_tone_off:
[1/0/0 (168)] packet_len=8 channel_id=1 packet_id= 71 *Mar 4 03:41:00.660: dsp_idle_mode:
[1/0/0 (168)] packet_len=8 channel_id=1 packet_id=68 *Mar 4 03:41:00.660:
dsp_close_voice_channel: [1/0/0 (168)] packet_len=8 channel_id=1 packet_id=75 *Mar 4
03:41:00.664: send_mgcp_msg, MGCP Packet sent --->
NTFY 18357 AALN/S1/SU0/0@VG200-2 MGCP 0.1
!--- The router notifies Cisco CallManager that the phone went on-hook. X: 39 O: L/hu !--- "O:
L/hu" indicates that an on-hook event is observed. <--- *Mar 4 03:41:00.668: MGCP Packet
received -
200 18357
!--- Cisco CallManager sends back the "200 OK". *Mar 4 03:41:00.676: MGCP Packet received -
RQNT 698 AALN/S1/SU0/0@VG200-2 MGCP 0.1
!--- The router receives a request notification from Cisco CallManager. X: 3a R: L/hd !--- "R:
L/hd" indicates the Cisco CallManager request to be notified !--- if the router detects an off-
hook event. S: Q: process,loop *Mar 4 03:41:00.676: send_mgcp_msg, MGCP Packet sent --->
200 698 OK
!--- The router sends a "200 OK" to acknowledge !--- the request notification. <--- VG200-2# ---
-----

```

以下是启用跟踪的Cisco CallManager上同一呼叫的相应调试，如本文档的“从成功的呼叫中[调试](#)部分所述：

注意：由于空间限制，此处的部分输出显示在多行上。

S:
Q: process,loop
|<CLID::ctrieu-sunpc-Cluster><NID::171.69.85.107><CT::1,100,53,1.41811><IP::172.16.13.169>
<DEV::AALN/S1/SU0/0@VG200-2>
01/08/2003 17:16:03.037 Cisco CallManager|Digit analysis: match(fqcn="7000", cn="7000",
pss="Line1", dd="1")|<CLID::ctrieu-sunpc-Cluster><NID::171.69.85.107>
<CT::1,100,53,1.41811><IP::172.16.13.169><DEV::AALN/S1/SU0/0@VG200-2>
01/08/2003 17:16:03.037 Cisco CallManager|Digit analysis: potentialMatches=
PotentialMatchesExist|<CLID::ctrieu-sunpc-Cluster><NID::171.69.85.107>
<CT::1,100,53,1.41811><IP::172.16.13.169><DEV::AALN/S1/SU0/0@VG200-2>
01/08/2003 17:16:03.037 Cisco CallManager|MGCPHandler received msg from: 172.16.13.169
200 694 OK
|<CLID::ctrieu-sunpc-Cluster><NID::171.69.85.107><CT::1,100,53,1.41812><IP::172.16.13.169>
<DEV::>
01/08/2003 17:16:03.037 Cisco CallManager|MGCPHandler received RESP header w/ transId=
694|<CLID::ctrieu-sunpc-Cluster><NID::171.69.85.107><CT::1,100,53,1.41812>
<IP::172.16.13.169><DEV::>
01/08/2003 17:16:03.037 Cisco CallManager|<CLID::ctrieu-sunpc-Cluster><NID::171.69.85.107>
<CT::1,100,53,1.41812><MN::MGCPEndPoint><MV::AALN/S1/SU0/0@VG200-2>
<DEV::AALN/S1/SU0@VG200-2>
01/08/2003 17:16:03.037 Cisco CallManager|MGCPHandler received RESP header w/ transId= 694
FOUND a match for RQNT|<CLID::ctrieu-sunpc-Cluster><NID::171.69.85.107>
<CT::1,100,53,1.41812><IP::172.16.13.169><DEV::AALN/S1/SU0@VG200-2>
01/08/2003 17:16:03.037 Cisco CallManager|MGCPHandler recv RQNT Ack from 172.16.13.169|
<CLID::ctrieu-sunpc-Cluster><NID::171.69.85.107><CT::1,100,53,1.41812><IP::172.16.13.169>
<DEV::AALN/S1/SU0@VG200-2>
01/08/2003 17:16:03.358 Cisco CallManager|StationInit - InboundStim - KeepAliveMessage -
Send KeepAlive to Device Controller. DeviceName=MOH_ctrieu-sunp, TCPHandle=0x6ad42d0,
Socket=0x774, IPAddr=171.69.85.107, Port=2403, Device Controller=[1,69,2]|
<CLID::ctrieu-sunpc-Cluster><NID::171.69.85.107><CT::1,100,93,1.76446><IP::171.69.85.107>
<DEV::MOH_ctrieu-sunp>
01/08/2003 17:16:03.358 Cisco CallManager|StationInit: 6ad42d0 KeepAliveAck.|
<CLID::ctrieu-sunpc-Cluster><NID::171.69.85.107><CT::1,100,93,1.76446><IP::171.69.85.107>
<DEV::MOH_ctrieu-sunp>
01/08/2003 17:16:03.388 Cisco CallManager|MGCPHandler received msg from: 172.16.13.169
NTFY 18354 AALN/S1/SU0/0@VG200-2 MGCP 0.1
X: 36
O: D/0
|<CLID::ctrieu-sunpc-Cluster><NID::171.69.85.107><CT::1,100,53,1.41813><IP::172.16.13.169>
<DEV::>
01/08/2003 17:16:03.388 Cisco CallManager|<CLID::ctrieu-sunpc-Cluster><NID::171.69.85.107>
<CT::1,100,53,1.41813><MN::MGCPEndPoint><MV::AALN/S1/SU0/0@VG200-2><DEV::>
01/08/2003 17:16:03.388 Cisco CallManager|MGCPHandler send msg SUCCESSFULLY to:
172.16.13.169
200 18354
|<CLID::ctrieu-sunpc-Cluster><NID::171.69.85.107><CT::1,100,53,1.41813><IP::172.16.13.169>
<DEV::AALN/S1/SU0/0@VG200-2>
01/08/2003 17:16:03.398 Cisco CallManager|Digit analysis: match(fqcn="7000", cn="7000",
pss="Line1", dd="10")|<CLID::ctrieu-sunpc-Cluster><NID::171.69.85.107>
<CT::1,100,53,1.41813><IP::172.16.13.169><DEV::AALN/S1/SU0/0@VG200-2>
01/08/2003 17:16:03.398 Cisco CallManager|Digit analysis: analysis results|
<CLID::ctrieu-sunpc-Cluster><NID::171.69.85.107><CT::1,100,53,1.41813><IP::172.16.13.169>
<DEV::AALN/S1/SU0/0@VG200-2>
01/08/2003 17:16:03.398 Cisco CallManager||PretransformCallingPartyNumber=7000
|CallingPartyNumber=7000
|DialingPartition=
|DialingPattern=1.@
|DialingRoutePatternRegularExpression=(1)(0)
|DialingWhere=
|PatternType=National
|PotentialMatches=PotentialMatchesExist
|DialingSdlProcessId=(1,30,17)

|PretransformDigitString=10
|PretransformTagsList=ACCESS-CODE:LOCAL-OPERATOR
|PretransformPositionalMatchList=1:0
|CollectedDigits=0
|UnconsumedDigits=
|TagsList=LOCAL-OPERATOR
|PositionalMatchList=0
|VoiceMailbox=
|VoiceMailCallingSearchSpace=
|VoiceMailPilotNumber=
|DisplayName=
|RouteBlockFlag=RouteThisPattern
|InterceptPartition=
|InterceptPattern=
|InterceptWhere=
|InterceptSdlProcessId=(0,0,0)
|InterceptSsType=0
|InterceptSsKey=0|<CLID::ctrieu-sunpc-Cluster><NID::171.69.85.107><CT::1,100,53,1.41813>
<IP::172.16.13.169><DEV::AALN/S1/SU0/0@VG200-2>
01/08/2003 17:16:03.768 Cisco CallManager|MGCPHandler received msg from: 172.16.13.169
NTFY 18355 AALN/S1/SU0/0@VG200-2 MGCP 0.1
X: 36
O: D/0
|<CLID::ctrieu-sunpc-Cluster><NID::171.69.85.107><CT::1,100,53,1.41814><IP::172.16.13.169>
<DEV::>
01/08/2003 17:16:03.768 Cisco CallManager|<CLID::ctrieu-sunpc-Cluster><NID::171.69.85.107>
<CT::1,100,53,1.41814><MN::MGCP endPoint><MV::AALN/S1/SU0/0@VG200-2><DEV::>
01/08/2003 17:16:03.768 Cisco CallManager|MGCPHandler send msg SUCCESSFULLY to:
172.16.13.169
200 18355
|<CLID::ctrieu-sunpc-Cluster><NID::171.69.85.107><CT::1,100,53,1.41814><IP::172.16.13.169>
<DEV::AALN/S1/SU0/0@VG200-2>
01/08/2003 17:16:03.768 Cisco CallManager|Digit analysis: match(fqcn="7000", cn="7000",
pss="Line1", dd="100")|<CLID::ctrieu-sunpc-Cluster><NID::171.69.85.107>
<CT::1,100,53,1.41814><IP::172.16.13.169><DEV::AALN/S1/SU0/0@VG200-2>
01/08/2003 17:16:03.768 Cisco CallManager|Digit analysis: analysis results|
<CLID::ctrieu-sunpc-Cluster><NID::171.69.85.107><CT::1,100,53,1.41814><IP::172.16.13.169>
<DEV::AALN/S1/SU0/0@VG200-2>
01/08/2003 17:16:03.778 Cisco CallManager||PretransformCallingPartyNumber=7000
|CallingPartyNumber=7000
|DialingPartition=
|DialingPattern=1.@
|DialingRoutePatternRegularExpression=(1)(00)
|DialingWhere=
|PatternType=National
|PotentialMatches=PotentialMatchesExist
|DialingSdlProcessId=(1,30,17)
|PretransformDigitString=100
|PretransformTagsList=ACCESS-CODE:LONG-DISTANCE-OPERATOR
|PretransformPositionalMatchList=1:00
|CollectedDigits=00
|UnconsumedDigits=
|TagsList=LONG-DISTANCE-OPERATOR
|PositionalMatchList=00
|VoiceMailbox=
|VoiceMailCallingSearchSpace=
|VoiceMailPilotNumber=
|DisplayName=
|RouteBlockFlag=RouteThisPattern
|InterceptPartition=
|InterceptPattern=
|InterceptWhere=
|InterceptSdlProcessId=(0,0,0)
|InterceptSsType=0

```
| InterceptSsKey=0 | <CLID::ctrieu-sunpc-Cluster><NID::171.69.85.107><CT::1,100,53,1.41814>
<IP::172.16.13.169><DEV::AALN/S1/SU0/0@VG200-2>
01/08/2003 17:16:04.059 Cisco CallManager|CMPProcMon - -----Entered Router Verification|
<CLID::ctrieu-sunpc-Cluster><NID::171.69.85.107>
01/08/2003 17:16:04.059 Cisco CallManager|CMPProcMon - ----Exited Router Verification|
<CLID::ctrieu-sunpc-Cluster><NID::171.69.85.107>
01/08/2003 17:16:04.169 Cisco CallManager|MGCPHandler received msg from: 172.16.13.169
NTFY 18356 AALN/S1/SU0/0@VG200-2 MGCP 0.1
X: 36
O: D/1
| <CLID::ctrieu-sunpc-Cluster><NID::171.69.85.107><CT::1,100,53,1.41815><IP::172.16.13.169>
<DEV::>
01/08/2003 17:16:04.169 Cisco CallManager| <CLID::ctrieu-sunpc-Cluster><NID::171.69.85.107>
<CT::1,100,53,1.41815><MN::MGCP endPoint><MV::AALN/S1/SU0/0@VG200-2><DEV::>
01/08/2003 17:16:04.169 Cisco CallManager|MGCPHandler send msg SUCCESSFULLY to:
172.16.13.169
200 18356
| <CLID::ctrieu-sunpc-Cluster><NID::171.69.85.107><CT::1,100,53,1.41815><IP::172.16.13.169>
<DEV::AALN/S1/SU0/0@VG200-2>
01/08/2003 17:16:04.179 Cisco CallManager|Digit analysis: match(fqcn="7000", cn="7000",
pss="Line1", dd="1001") | <CLID::ctrieu-sunpc-Cluster><NID::171.69.85.107>
<CT::1,100,53,1.41815><IP::172.16.13.169><DEV::AALN/S1/SU0/0@VG200-2>
01/08/2003 17:16:04.179 Cisco CallManager|Digit analysis: analysis results|
<CLID::ctrieu-sunpc-Cluster><NID::171.69.85.107><CT::1,100,53,1.41815><IP::172.16.13.169>
<DEV::AALN/S1/SU0/0@VG200-2>
01/08/2003 17:16:04.179 Cisco CallManager| |PretransformCallingPartyNumber=7000
|CallingPartyNumber=7000
|DialingPartition=Line1
|DialingPattern=1001
|DialingRoutePatternRegularExpression=(1001)
|DialingWhere=
|PatternType=Enterprise
|PotentialMatches=NoPotentialMatchesExist
|DialingSdlProcessId=(1,37,65)
|PretransformDigitString=1001
|PretransformTagsList=SUBSCRIBER
|PretransformPositionalMatchList=1001
|CollectedDigits=1001
|UnconsumedDigits=
|TagsList=SUBSCRIBER
|PositionalMatchList=1001
|VoiceMailbox=
|VoiceMailCallingSearchSpace=
|VoiceMailPilotNumber=
|DisplayName=
|RouteBlockFlag=RouteThisPattern
|InterceptPartition=
|InterceptPattern=
|InterceptWhere=
|InterceptSdlProcessId=(0,0,0)
|InterceptSsType=0
|InterceptSsKey=0 | <CLID::ctrieu-sunpc-Cluster><NID::171.69.85.107><CT::1,100,53,1.41815>
<IP::172.16.13.169><DEV::AALN/S1/SU0/0@VG200-2>
01/08/2003 17:16:04.179 Cisco CallManager| <CLID::ctrieu-sunpc-Cluster><NID::171.69.85.107>
<CT::1,100,53,1.41815><MN::Directory Number><MV::1001><DEV::AALN/S1/SU0/0@VG200-2>
01/08/2003 17:16:04.179 Cisco CallManager|Locations_reserveBandwidth -- cdccPID=(1.15.223)
Orig=Dest=0 no need to reserve bw. | <CLID::ctrieu-sunpc-Cluster><NID::171.69.85.107>
01/08/2003 17:16:04.179 Cisco CallManager|StationD: 6ad4398 StationOutputDisplayText don't
need to send, because mIsALegacyDevice = 0 | <CLID::ctrieu-sunpc-Cluster>
<NID::171.69.85.107><CT::1,100,53,1.41815><IP::172.16.13.169>
<DEV::AALN/S1/SU0/0@VG200-2>
01/08/2003 17:16:04.189 Cisco CallManager|StationD: 6ad4398 CallState callState=4
lineInstance=1 callReference=16777659 | <CLID::ctrieu-sunpc-Cluster>
<NID::171.69.85.107><CT::1,100,53,1.41815><IP::172.16.13.169>
```

<DEV::AALN/S1/SU0/0@VG200-2>
01/08/2003 17:16:04.189 Cisco CallManager|StationD: 6ad4398 CallInfo callingPartyName=''
callingParty=7000 cgpnVoiceMailbox= calledPartyName='' calledParty=1001 cdpnVoiceMailbox=
originalCalledPartyName='' originalCalledParty=1001 originalCdpnVoiceMailbox=
originalCdpnRedirectReason=0 lastRedirectingPartyName='' lastRedirectingParty=1001
lastRedirectingVoiceMailbox= lastRedirectingReason=0 callType=1(InBound) lineInstance=1
callReference=16777659. version: 3|<CLID::ctrieu-sunpc-Cluster><NID::171.69.85.107>
<CT::1,100,53,1.41815><IP::172.16.13.169><DEV::AALN/S1/SU0/0@VG200-2>
01/08/2003 17:16:04.189 Cisco CallManager|StationD::star_StationOutputCallInfo():
callInfo: CI=16777659, CallingPartyName=, CallingParty=7000, CalledPartyName=,
CalledParty=1001, OriginalCalledPartyName=, OriginalCalledParty=1001,
lastRedirectingPartyName=, lastRedirectingParty=|<CLID::ctrieu-sunpc-Cluster>
<NID::171.69.85.107><CT::1,100,53,1.41815><IP::172.16.13.169>
<DEV::AALN/S1/SU0/0@VG200-2>
01/08/2003 17:16:04.189 Cisco CallManager|StationD: 6ad4398 SetLamp stimulus=9(Line)
stimulusInstance=1 lampMode=5(LampBlink).|<CLID::ctrieu-sunpc-Cluster>
<NID::171.69.85.107><CT::1,100,53,1.41815><IP::172.16.13.169>
<DEV::AALN/S1/SU0/0@VG200-2>
01/08/2003 17:16:04.189 Cisco CallManager|StationD: 6ad4398 SetRinger ringMode=2
(InsideRing).|<CLID::ctrieu-sunpc-Cluster><NID::171.69.85.107>
<CT::1,100,53,1.41815><IP::172.16.13.169><DEV::AALN/S1/SU0/0@VG200-2>
01/08/2003 17:16:04.189 Cisco CallManager|StationD: 6ad4398 DisplayNotify timeOutValue=10
notify='7000' content='From 7000' ver=3.|<CLID::ctrieu-sunpc-Cluster>
<NID::171.69.85.107><CT::1,100,53,1.41815><IP::172.16.13.169>
<DEV::AALN/S1/SU0/0@VG200-2>
01/08/2003 17:16:04.189 Cisco CallManager|StationD: 6ad4398 DisplayPromptStatus
timeOutValue=0 promptStatus='7000' content='From 7000' lineInstance=1
callReference=16777659 ver=3.|<CLID::ctrieu-sunpc-Cluster><NID::171.69.85.107>
<CT::1,100,53,1.41815><IP::172.16.13.169><DEV::AALN/S1/SU0/0@VG200-2>
01/08/2003 17:16:04.189 Cisco CallManager|StationD: 6ad4398 SelectSoftKeys instance=1
reference=16777659 softKeySetIndex=3 validKeyMask=-1.|<CLID::ctrieu-sunpc-Cluster>
<NID::171.69.85.107><CT::1,100,53,1.41815><IP::172.16.13.169><DEV::AALN/S1/SU0/0@VG200-2>
01/08/2003 17:16:04.199 Cisco CallManager|MGCPStationD - MGCPOutputStartTone: 79
endpointId=AALN/S1/SU0/0@VG200-2 |<CLID::ctrieu-sunpc-Cluster>
<NID::171.69.85.107><CT::1,100,53,1.41815><IP::172.16.13.169>
<DEV::AALN/S1/SU0/0@VG200-2>
01/08/2003 17:16:04.199 Cisco CallManager|MGCPHandler send msg SUCCESSFULLY to:
172.16.13.169
RQNT 695 AALN/S1/SU0/0@VG200-2 MGCP 0.1
X: 37
R: L/hu
S: G/rt
Q: process,loop
|<CLID::ctrieu-sunpc-Cluster><NID::171.69.85.107><CT::1,100,53,1.41815><IP::172.16.13.169>
<DEV::AALN/S1/SU0/0@VG200-2>
01/08/2003 17:16:04.199 Cisco CallManager|Insert an entry into MonitorPartyTable, now this
table has 3 entries|<CLID::ctrieu-sunpc-Cluster><NID::171.69.85.107>
<CT::1,100,53,1.41815><IP::172.16.13.169><DEV::AALN/S1/SU0/0@VG200-2>
01/08/2003 17:16:04.199 Cisco CallManager|Insert an entry into MonitorPartyTable, now this
table has 4 entries|<CLID::ctrieu-sunpc-Cluster><NID::171.69.85.107>
<CT::1,100,53,1.41815><IP::172.16.13.169><DEV::AALN/S1/SU0/0@VG200-2>
01/08/2003 17:16:04.209 Cisco CallManager|TransferManager: SsInfoInd : complete transfer,
TransferringSecondarSsParty=16777658, TransferringPartyDslAddr
(0,64566112,-1458761556,2427), TransferringPartyPID (1,37,66),
TransferDestinationSsParty=16777659, TransferDestinationDslAddr(0,0,1488064778,50826),
TransferDesinatonPID (1,37,65).|<CLID::ctrieu-sunpc-Cluster><NID::171.69.85.107>
01/08/2003 17:16:04.209 Cisco CallManager|Delete entries from TransTable, now this
table has 3 entries|<CLID::ctrieu-sunpc-Cluster><NID::171.69.85.107>
<CT::1,100,53,1.41815><IP::172.16.13.169><DEV::AALN/S1/SU0/0@VG200-2>
01/08/2003 17:16:04.209 Cisco CallManager|Insert an entry into TransTable, now this
table has 4 entries|<CLID::ctrieu-sunpc-Cluster><NID::171.69.85.107>
<CT::1,100,53,1.41815><IP::172.16.13.169><DEV::AALN/S1/SU0/0@VG200-2>
01/08/2003 17:16:04.209 Cisco CallManager|Delete entries from TransTable, now this
table has 3 entries|<CLID::ctrieu-sunpc-Cluster><NID::171.69.85.107>

<CT::1,100,53,1.41815><IP::172.16.13.169><DEV::AALN/S1/SU0/0@VG200-2>
01/08/2003 17:16:04.209 Cisco CallManager|MGCPHandler received msg from: 172.16.13.169
200 695 OK
|<CLID::ctrieu-sunpc-Cluster><NID::171.69.85.107><CT::1,100,53,1.41816><IP::172.16.13.169>
<DEV::>
01/08/2003 17:16:04.209 Cisco CallManager|MGCPHandler received RESP header w/ transId=
695|<CLID::ctrieu-sunpc-Cluster><NID::171.69.85.107><CT::1,100,53,1.41816>
<IP::172.16.13.169><DEV::>
01/08/2003 17:16:04.209 Cisco CallManager|<CLID::ctrieu-sunpc-Cluster><NID::171.69.85.107>
<CT::1,100,53,1.41816><MN::MGCP endPoint><MV::AALN/S1/SU0/0@VG200-2>
<DEV::AALN/S1/SU0@VG200-2>
01/08/2003 17:16:04.209 Cisco CallManager|MGCPHandler received RESP header w/ transId= 695
FOUND a match for RQNT|<CLID::ctrieu-sunpc-Cluster><NID::171.69.85.107>
<CT::1,100,53,1.41816><IP::172.16.13.169><DEV::AALN/S1/SU0@VG200-2>
01/08/2003 17:16:04.209 Cisco CallManager|MGCPHandler recv RQNT Ack from 172.16.13.169|
<CLID::ctrieu-sunpc-Cluster><NID::171.69.85.107><CT::1,100,53,1.41816><IP::172.16.13.169>
<DEV::AALN/S1/SU0@VG200-2>
01/08/2003 17:16:04.209 Cisco CallManager|Insert an entry into TransTable, now this table
has 4 entries|<CLID::ctrieu-sunpc-Cluster><NID::171.69.85.107><CT::1,100,53,1.41815>
<IP::172.16.13.169><DEV::AALN/S1/SU0/0@VG200-2>
01/08/2003 17:16:04.219 Cisco CallManager|Delete entries from TransTable, now this table
has 3 entries|<CLID::ctrieu-sunpc-Cluster><NID::171.69.85.107><CT::1,100,53,1.41815>
<IP::172.16.13.169><DEV::AALN/S1/SU0/0@VG200-2>
01/08/2003 17:16:04.219 Cisco CallManager|Insert an entry into TransTable, now this table
has 4 entries|<CLID::ctrieu-sunpc-Cluster><NID::171.69.85.107><CT::1,100,53,1.41815>
<IP::172.16.13.169><DEV::AALN/S1/SU0/0@VG200-2>
01/08/2003 17:16:04.219 Cisco CallManager|Delete entries from TransTable, now this table
has 3 entries|<CLID::ctrieu-sunpc-Cluster><NID::171.69.85.107><CT::1,100,53,1.41815>
<IP::172.16.13.169><DEV::AALN/S1/SU0/0@VG200-2>
01/08/2003 17:16:04.229 Cisco CallManager|ConnectionManager - wait_AuDisconnectRequest
(16777657,0): STOP SESSION|<CLID::ctrieu-sunpc-Cluster><NID::171.69.85.107>
<CT::1,100,53,1.41815><IP::172.16.13.169><DEV::AALN/S1/SU0/0@VG200-2>
01/08/2003 17:16:04.229 Cisco CallManager|ConnectionManager - storeMediaInfo(16777657):
EXISTING ENTRY DISCOVERED, tail == 2|<CLID::ctrieu-sunpc-Cluster><NID::171.69.85.107>
<CT::1,100,53,1.41815><IP::172.16.13.169><DEV::AALN/S1/SU0/0@VG200-2>
01/08/2003 17:16:04.229 Cisco CallManager|ConnectionManager - storeMediaInfo(0): NULL CI
IGNORED, tail == 2|<CLID::ctrieu-sunpc-Cluster><NID::171.69.85.107>
<CT::1,100,53,1.41815><IP::172.16.13.169><DEV::AALN/S1/SU0/0@VG200-2>
01/08/2003 17:16:04.229 Cisco CallManager|MediaCoordinator - wait_AuDisconnectRequest|
<CLID::ctrieu-sunpc-Cluster><NID::171.69.85.107><CT::1,100,53,1.41815><IP::172.16.13.169>
<DEV::AALN/S1/SU0/0@VG200-2>
01/08/2003 17:16:04.229 Cisco CallManager|MediaCoordinator - wait_AuDisconnectRequest -
no parties found|<CLID::ctrieu-sunpc-Cluster><NID::171.69.85.107><CT::1,100,53,1.41815>
<IP::172.16.13.169><DEV::AALN/S1/SU0/0@VG200-2>
01/08/2003 17:16:04.229 Cisco CallManager|MediaCoordinator - wait_AuDisconnectRequest,
extending disconnect to partyA interface instance(41)|<CLID::ctrieu-sunpc-Cluster>
<NID::171.69.85.107><CT::1,100,53,1.41815><IP::172.16.13.169><DEV::AALN/S1/SU0/0@VG200-2>
01/08/2003 17:16:04.229 Cisco CallManager|ConnectionManager - wait_AuDisconnectReply
(16777657,0): STOP SESSION|<CLID::ctrieu-sunpc-Cluster><NID::171.69.85.107>
<CT::1,100,53,1.41815><IP::172.16.13.169><DEV::AALN/S1/SU0/0@VG200-2>
01/08/2003 17:16:04.229 Cisco CallManager|ConnectionManager -
deleteMediaInfoEntry(16777657): ENTRY DELETED, tail == 1|
<CLID::ctrieu-sunpc-Cluster><NID::171.69.85.107><CT::1,100,53,1.41815>
<IP::172.16.13.169><DEV::AALN/S1/SU0/0@VG200-2>
01/08/2003 17:16:04.229 Cisco CallManager|ConnectionManager - ERROR
deleteMediaInfoEntry(0): ENTRY NOT FOUND, tail == 1|<CLID::ctrieu-sunpc-Cluster>
<NID::171.69.85.107><CT::1,100,53,1.41815><IP::172.16.13.169>
<DEV::AALN/S1/SU0/0@VG200-2>
01/08/2003 17:16:04.229 Cisco CallManager|Insert an entry into TransTable, now this table
has 4 entries|<CLID::ctrieu-sunpc-Cluster><NID::171.69.85.107><CT::1,100,53,1.41815>
<IP::172.16.13.169><DEV::AALN/S1/SU0/0@VG200-2>
01/08/2003 17:16:04.229 Cisco CallManager|Insert an entry into TransTable, now this table
has 5 entries|<CLID::ctrieu-sunpc-Cluster><NID::171.69.85.107><CT::1,100,53,1.41815>
<IP::172.16.13.169><DEV::AALN/S1/SU0/0@VG200-2>

01/08/2003 17:16:04.239 Cisco CallManager|ConnectionManager - wait_AuDisconnectRequest (16777658,0): NO ENTRY FOUND IN TABLE|<CLID::ctrieu-sunpc-Cluster><NID::171.69.85.107><CT::1,100,53,1.41815><IP::172.16.13.169><DEV::AALN/S1/SU0/0@VG200-2>

01/08/2003 17:16:04.239 Cisco CallManager|Delete entries from CiCcp table, now this table has 4 entries|<CLID::ctrieu-sunpc-Cluster><NID::171.69.85.107><CT::1,100,53,1.41815><IP::172.16.13.169><DEV::AALN/S1/SU0/0@VG200-2>

01/08/2003 17:16:04.239 Cisco CallManager|Delete entries from TransTable, now this table has 4 entries|<CLID::ctrieu-sunpc-Cluster><NID::171.69.85.107><CT::1,100,53,1.41815><IP::172.16.13.169><DEV::AALN/S1/SU0/0@VG200-2>

01/08/2003 17:16:04.239 Cisco CallManager|Delete entries from TransTable, now this table has 3 entries|<CLID::ctrieu-sunpc-Cluster><NID::171.69.85.107><CT::1,100,53,1.41815><IP::172.16.13.169><DEV::AALN/S1/SU0/0@VG200-2>

01/08/2003 17:16:04.239 Cisco CallManager|Delete entries from CiCcp table, now this table has 4 entries|<CLID::ctrieu-sunpc-Cluster><NID::171.69.85.107><CT::1,100,53,1.41815><IP::172.16.13.169><DEV::AALN/S1/SU0/0@VG200-2>

01/08/2003 17:16:04.249 Cisco CallManager|Locations_releaseBandwidth -- cdccPID=(1.15.225) no entry.|<CLID::ctrieu-sunpc-Cluster><NID::171.69.85.107>

01/08/2003 17:16:04.249 Cisco CallManager|<CLID::ctrieu-sunpc-Cluster><NID::171.69.85.107><CT::1,100,53,1.41815><MN::Directory Number><MV::1001><DEV::AALN/S1/SU0/0@VG200-2>

01/08/2003 17:16:04.249 Cisco CallManager|<CLID::ctrieu-sunpc-Cluster><NID::171.69.85.107><CT::1,100,53,1.41815><MN::Directory Number><MV::1001><DEV::AALN/S1/SU0/0@VG200-2>

01/08/2003 17:16:04.259 Cisco CallManager|Delete entries from MonitorPartyTable, now this table has 3 entries|<CLID::ctrieu-sunpc-Cluster><NID::171.69.85.107><CT::1,100,53,1.41815><IP::172.16.13.169><DEV::AALN/S1/SU0/0@VG200-2>

01/08/2003 17:16:04.259 Cisco CallManager|Delete entries from TransTable, now this table has 3 entries|<CLID::ctrieu-sunpc-Cluster><NID::171.69.85.107><CT::1,100,53,1.41815><IP::172.16.13.169><DEV::AALN/S1/SU0/0@VG200-2>

01/08/2003 17:16:04.259 Cisco CallManager|Delete entries from CiCcp table, now this table has 3 entries|<CLID::ctrieu-sunpc-Cluster><NID::171.69.85.107><CT::1,100,53,1.41815><IP::172.16.13.169><DEV::AALN/S1/SU0/0@VG200-2>

01/08/2003 17:16:04.259 Cisco CallManager|<CLID::ctrieu-sunpc-Cluster><NID::171.69.85.107><CT::1,100,53,1.41815><MN::Directory Number><MV::1000><DEV::AALN/S1/SU0/0@VG200-2>

01/08/2003 17:16:04.259 Cisco CallManager|StationD: 6ad4398 CallInfo callingPartyName=' ' callingParty=1000 cgpnVoiceMailbox= calledPartyName=' ' calledParty=1001 cdpnVoiceMailbox= originalCalledPartyName=' ' originalCalledParty=1001 originalCdpnVoiceMailbox= originalCdpnRedirectReason=0 lastRedirectingPartyName=' ' lastRedirectingParty=1001 lastRedirectingVoiceMailbox= lastRedirectingReason=0 callType=1(InBound) lineInstance=1 callReference=16777659. version: 3|<CLID::ctrieu-sunpc-Cluster><NID::171.69.85.107><CT::1,100,53,1.41815><IP::172.16.13.169><DEV::AALN/S1/SU0/0@VG200-2>

01/08/2003 17:16:04.259 Cisco CallManager|StationD::star_StationOutputCallInfo(): callInfo: CI=16777659, CallingPartyName=, CallingParty=1000, CalledPartyName=, CalledParty=1001, OriginalCalledPartyName=, OriginalCalledParty=1001, lastRedirectingPartyName=, lastRedirectingParty=1001|<CLID::ctrieu-sunpc-Cluster><NID::171.69.85.107><CT::1,100,53,1.41815><IP::172.16.13.169><DEV::AALN/S1/SU0/0@VG200-2>

01/08/2003 17:16:04.259 Cisco CallManager|<CLID::ctrieu-sunpc-Cluster><NID::171.69.85.107><CT::1,100,53,1.41815><MN::Directory Number><MV::1000><DEV::AALN/S1/SU0/0@VG200-2>

01/08/2003 17:16:04.259 Cisco CallManager|Locations_releaseBandwidth -- cdccPID=(1.15.224) no entry.|<CLID::ctrieu-sunpc-Cluster><NID::171.69.85.107>

01/08/2003 17:16:04.269 Cisco CallManager|<CLID::ctrieu-sunpc-Cluster><NID::171.69.85.107><CT::1,100,53,1.41815><MN::Directory Number><MV::1001><DEV::AALN/S1/SU0/0@VG200-2>

01/08/2003 17:16:04.269 Cisco CallManager|StationD - CTI Reason Code: CtiReasonTransferred Call|<CLID::ctrieu-sunpc-Cluster><NID::171.69.85.107><CT::1,100,53,1.41815><IP::172.16.13.169><DEV::AALN/S1/SU0/0@VG200-2>

01/08/2003 17:16:04.269 Cisco CallManager|StationD: 6ad4334 CallInfo callingPartyName=' ' callingParty=1000 cgpnVoiceMailbox= calledPartyName=' ' calledParty=1001 cdpnVoiceMailbox= originalCalledPartyName=' ' originalCalledParty= originalCdpnVoiceMailbox= originalCdpnRedirectReason=0 lastRedirectingPartyName=' ' lastRedirectingParty=1001 lastRedirectingVoiceMailbox= lastRedirectingReason=0 callType=2(OutBound) lineInstance=1 callReference=16777656. version: 3|

<CLID::ctrieu-sunpc-Cluster><NID::171.69.85.107><CT::1,100,53,1.41815>
<IP::172.16.13.169><DEV::AALN/S1/SU0/0@VG200-2>
01/08/2003 17:16:04.269 Cisco CallManager|StationD::star_StationOutputCallInfo():
callInfo: CI=16777656, CallingPartyName=, CallingParty=1000, CalledPartyName=,
CalledParty=1001, OriginalCalledPartyName=, OriginalCalledParty=,
lastRedirectingPartyName=, lastRedirectingParty=1001|<CLID::ctrieu-sunpc-Cluster>
<NID::171.69.85.107><CT::1,100,53,1.41815><IP::172.16.13.169>
<DEV::AALN/S1/SU0/0@VG200-2>
01/08/2003 17:16:04.269 Cisco CallManager|StationD: 6ad4334 StartTone tone=36
(AlertingTone), direction=0.|<CLID::ctrieu-sunpc-Cluster><NID::171.69.85.107>
<CT::1,100,53,1.41815><IP::172.16.13.169><DEV::AALN/S1/SU0/0@VG200-2>
01/08/2003 17:16:04.279 Cisco CallManager|<CLID::ctrieu-sunpc-Cluster><NID::171.69.85.107>
<CT::1,100,53,1.41815><MN::Directory Number><MV::1000><DEV::AALN/S1/SU0/0@VG200-2>
01/08/2003 17:16:04.279 Cisco CallManager|StationD - CTI Reason Code: CtiReasonTransferred
Call|<CLID::ctrieu-sunpc-Cluster><NID::171.69.85.107><CT::1,100,53,1.41815>
<IP::172.16.13.169><DEV::AALN/S1/SU0/0@VG200-2>
01/08/2003 17:16:04.279 Cisco CallManager|MGCPHandler send msg SUCCESSFULLY to:
172.16.13.169
DLCX 696 AALN/S1/SU0/0@VG200-2 MGCP 0.1
C: A0000000010001b9
I: 39
X: 38
R: L/hu
S:
Q: process,loop
|<CLID::ctrieu-sunpc-Cluster><NID::171.69.85.107><CT::1,100,53,1.41815><IP::172.16.13.169>
<DEV::AALN/S1/SU0/0@VG200-2>
01/08/2003 17:16:04.279 Cisco CallManager|Delete entries from MonitorPartyTable, now this
table has 2 entries|<CLID::ctrieu-sunpc-Cluster><NID::171.69.85.107>
<CT::1,100,53,1.41815><IP::172.16.13.169><DEV::AALN/S1/SU0/0@VG200-2>
01/08/2003 17:16:04.279 Cisco CallManager|Delete entries from TransTable, now this table
has 3 entries|<CLID::ctrieu-sunpc-Cluster><NID::171.69.85.107><CT::1,100,53,1.41815>
<IP::172.16.13.169><DEV::AALN/S1/SU0/0@VG200-2>
01/08/2003 17:16:04.279 Cisco CallManager|Delete entries from CiCcp table, now this table
has 2 entries|<CLID::ctrieu-sunpc-Cluster><NID::171.69.85.107><CT::1,100,53,1.41815>
<IP::172.16.13.169><DEV::AALN/S1/SU0/0@VG200-2>
01/08/2003 17:16:04.279 Cisco CallManager|Locations_releaseBandwidth -- cdccPID=(1.15.223)
no entry.|<CLID::ctrieu-sunpc-Cluster><NID::171.69.85.107>
01/08/2003 17:16:04.289 Cisco CallManager|MGCPHandler received msg from: 172.16.13.169
250 696 OK
P: PS=180, OS=28800, PR=177, OR=28320, PL=0, JI=352, LA=0
|<CLID::ctrieu-sunpc-Cluster><NID::171.69.85.107><CT::1,100,53,1.41817><IP::172.16.13.169>
<DEV::>
01/08/2003 17:16:04.289 Cisco CallManager|MGCPHandler received RESP header w/ transId=
696|<CLID::ctrieu-sunpc-Cluster><NID::171.69.85.107><CT::1,100,53,1.41817>
<IP::172.16.13.169><DEV::>
01/08/2003 17:16:04.289 Cisco CallManager|<CLID::ctrieu-sunpc-Cluster><NID::171.69.85.107>
<CT::1,100,53,1.41817><MN::MGCP endPoint><MV::AALN/S1/SU0/0@VG200-2>
<DEV::AALN/S1/SU0@VG200-2>
01/08/2003 17:16:04.289 Cisco CallManager|MGCPHandler received RESP header w/ transId= 696
FOUND a match for DLCX|<CLID::ctrieu-sunpc-Cluster><NID::171.69.85.107>
<CT::1,100,53,1.41817><IP::172.16.13.169><DEV::AALN/S1/SU0@VG200-2>
01/08/2003 17:16:06.062 Cisco CallManager|CMPProcMon - -----Entered Router Verification|
<CLID::ctrieu-sunpc-Cluster><NID::171.69.85.107>
01/08/2003 17:16:06.062 Cisco CallManager|CMPProcMon - ----Exited Router Verification|
<CLID::ctrieu-sunpc-Cluster><NID::171.69.85.107>
01/08/2003 17:16:06.422 Cisco CallManager|MGCPHandler received msg from: 172.16.13.81
NTFY 11416 *@3660-4 MGCP 0.1
X: 0
O:
|<CLID::ctrieu-sunpc-Cluster><NID::171.69.85.107><CT::1,100,53,1.41818><IP::172.16.13.81>
<DEV::>
01/08/2003 17:16:06.422 Cisco CallManager|<CLID::ctrieu-sunpc-Cluster><NID::171.69.85.107>
<CT::1,100,53,1.41818><MN::MGCP endPoint><MV::*@3660-4><DEV::>

01/08/2003 17:16:06.422 Cisco CallManager|MGCPHandler send msg SUCCESSFULLY to:
172.16.13.81
200 11416
<CLID::ctrieu-sunpc-Cluster><NID::171.69.85.107><CT::1,100,53,1.41818><IP::172.16.13.81>
<DEV::>
01/08/2003 17:16:06.432 Cisco CallManager|MGCPManager remove recent Incoming transId
11414|<CLID::ctrieu-sunpc-Cluster><NID::171.69.85.107><CT::1,100,53,1.41802>
<IP::172.16.13.81><DEV::>
01/08/2003 17:16:07.313 Cisco CallManager|Insert an entry into CiCcp table, now this table
has 3 entries|<CLID::ctrieu-sunpc-Cluster><NID::171.69.85.107><CT::1,100,53,1.41817>
<IP::172.16.13.169><DEV::AALN/S1/SU0@VG200-2>
01/08/2003 17:16:07.313 Cisco CallManager|Insert an entry into CiCcp table, now this table
has 4 entries|<CLID::ctrieu-sunpc-Cluster><NID::171.69.85.107><CT::1,100,53,1.41817>
<IP::172.16.13.169><DEV::AALN/S1/SU0@VG200-2>
01/08/2003 17:16:07.323 Cisco CallManager|Digit analysis: match(fqcn="7000", cn="7000",
pss="Line1", dd="")|<CLID::ctrieu-sunpc-Cluster><NID::171.69.85.107>
<CT::1,100,53,1.41817><IP::172.16.13.169><DEV::AALN/S1/SU0@VG200-2>
01/08/2003 17:16:07.323 Cisco CallManager|Digit analysis: potentialMatches=
PotentialMatchesExist|<CLID::ctrieu-sunpc-Cluster><NID::171.69.85.107>
<CT::1,100,53,1.41817><IP::172.16.13.169><DEV::AALN/S1/SU0@VG200-2>
01/08/2003 17:16:07.323 Cisco CallManager|MGCPStationD - MGCPOutputStartTone: 24
endpointId=AALN/S1/SU0/0@VG200-2 |<CLID::ctrieu-sunpc-Cluster><NID::171.69.85.107>
<CT::1,100,53,1.41817><IP::172.16.13.169><DEV::AALN/S1/SU0@VG200-2>
01/08/2003 17:16:07.323 Cisco CallManager|MGCPHandler send msg SUCCESSFULLY to:
172.16.13.169
RQNT 697 AALN/S1/SU0/0@VG200-2 MGCP 0.1
X: 39
R: L/hu, D/[0-9ABCD*#]
S: L/dl
Q: process,loop
<CLID::ctrieu-sunpc-Cluster><NID::171.69.85.107><CT::1,100,53,1.41817><IP::172.16.13.169>
<DEV::AALN/S1/SU0@VG200-2>
01/08/2003 17:16:07.333 Cisco CallManager|MGCPHandler received msg from: 172.16.13.169
200 697 OK
<CLID::ctrieu-sunpc-Cluster><NID::171.69.85.107><CT::1,100,53,1.41819><IP::172.16.13.169>
<DEV::>
01/08/2003 17:16:07.333 Cisco CallManager|MGCPHandler received RESP header w/ transId=
697|<CLID::ctrieu-sunpc-Cluster><NID::171.69.85.107><CT::1,100,53,1.41819>
<IP::172.16.13.169><DEV::>
01/08/2003 17:16:07.333 Cisco CallManager|<CLID::ctrieu-sunpc-Cluster><NID::171.69.85.107>
<CT::1,100,53,1.41819><MN::MGCPEndPoint><MV::AALN/S1/SU0/0@VG200-2>
<DEV::AALN/S1/SU0@VG200-2>
01/08/2003 17:16:07.333 Cisco CallManager|MGCPHandler received RESP header w/ transId= 697
FOUND a match for RQNT|<CLID::ctrieu-sunpc-Cluster><NID::171.69.85.107>
<CT::1,100,53,1.41819><IP::172.16.13.169><DEV::AALN/S1/SU0@VG200-2>
01/08/2003 17:16:07.333 Cisco CallManager|MGCPHandler recv RQNT Ack from 172.16.13.169|
<CLID::ctrieu-sunpc-Cluster><NID::171.69.85.107><CT::1,100,53,1.41819><IP::172.16.13.169>
<DEV::AALN/S1/SU0@VG200-2>
01/08/2003 17:16:07.714 Cisco CallManager|MGCPHandler received msg from: 172.16.13.169
NTFY 18357 AALN/S1/SU0/0@VG200-2 MGCP 0.1
X: 39
O: L/hu
<CLID::ctrieu-sunpc-Cluster><NID::171.69.85.107><CT::1,100,53,1.41820><IP::172.16.13.169>
<DEV::>
01/08/2003 17:16:07.714 Cisco CallManager|<CLID::ctrieu-sunpc-Cluster><NID::171.69.85.107>
<CT::1,100,53,1.41820><MN::MGCPEndPoint><MV::AALN/S1/SU0/0@VG200-2><DEV::>
01/08/2003 17:16:07.724 Cisco CallManager|MGCPHandler send msg SUCCESSFULLY to:
172.16.13.169
200 18357
<CLID::ctrieu-sunpc-Cluster><NID::171.69.85.107><CT::1,100,53,1.41820><IP::172.16.13.169>
<DEV::AALN/S1/SU0/0@VG200-2>
01/08/2003 17:16:07.724 Cisco CallManager|MGCPHandler send msg SUCCESSFULLY to:
172.16.13.169
RQNT 698 AALN/S1/SU0/0@VG200-2 MGCP 0.1

X: 3a

R: L/hd

S:

Q: process,loop

|<CLID::ctrieu-sunpc-Cluster><NID::171.69.85.107><CT::1,100,53,1.41820><IP::172.16.13.169>
<DEV::AALN/S1/SU0/0@VG200-2>

01/08/2003 17:16:07.734 Cisco CallManager|Delete entries from TransTable, now this table
has 3 entries|<CLID::ctrieu-sunpc-Cluster><NID::171.69.85.107><CT::1,100,53,1.41820>
<IP::172.16.13.169><DEV::AALN/S1/SU0/0@VG200-2>

01/08/2003 17:16:07.734 Cisco CallManager|Delete entries from CiCcp table, now this table
has 2 entries|<CLID::ctrieu-sunpc-Cluster><NID::171.69.85.107><CT::1,100,53,1.41820>
<IP::172.16.13.169><DEV::AALN/S1/SU0/0@VG200-2>

01/08/2003 17:16:07.734 Cisco CallManager|MGCPHandler received msg from: 172.16.13.169
200 698 OK

|<CLID::ctrieu-sunpc-Cluster><NID::171.69.85.107><CT::1,100,53,1.41821><IP::172.16.13.169>
<DEV::>

01/08/2003 17:16:07.734 Cisco CallManager|MGCPHandler received RESP header w/ transId=
698|<CLID::ctrieu-sunpc-Cluster><NID::171.69.85.107><CT::1,100,53,1.41821>
<IP::172.16.13.169><DEV::>

01/08/2003 17:16:07.734 Cisco CallManager|<CLID::ctrieu-sunpc-Cluster><NID::171.69.85.107>
<CT::1,100,53,1.41821><MN::MGCP endPoint><MV::AALN/S1/SU0/0@VG200-2>
<DEV::AALN/S1/SU0@VG200-2>

01/08/2003 17:16:07.734 Cisco CallManager|MGCPHandler received RESP header w/ transId= 698
FOUND a match for RQNT|<CLID::ctrieu-sunpc-Cluster><NID::171.69.85.107>
<CT::1,100,53,1.41821><IP::172.16.13.169><DEV::AALN/S1/SU0@VG200-2>

01/08/2003 17:16:07.734 Cisco CallManager|MGCPHandler recv RQNT Ack from 172.16.13.169|
<CLID::ctrieu-sunpc-Cluster><NID::171.69.85.107><CT::1,100,53,1.41821><IP::172.16.13.169>
<DEV::AALN/S1/SU0@VG200-2>

01/08/2003 17:16:07.734 Cisco CallManager|Locations_releaseBandwidth -- cdccPID=(1.15.226)
no entry.|<CLID::ctrieu-sunpc-Cluster><NID::171.69.85.107>

01/08/2003 17:16:08.064 Cisco CallManager|CMPProcMon - -----Entered Router Verification|
<CLID::ctrieu-sunpc-Cluster><NID::171.69.85.107>

01/08/2003 17:16:08.064 Cisco CallManager|CMPProcMon - ----Exited Router Verification|
<CLID::ctrieu-sunpc-Cluster><NID::171.69.85.107>

01/08/2003 17:16:09.787 Cisco CallManager|StationInit: 6ad4398 SoftKeyEvent softKeyEvent=
11 lineInstance=1 callReference=16777659.|<CLID::ctrieu-sunpc-Cluster>
<NID::171.69.85.107><CT::1,100,93,1.76447><IP::10.17.178.88><DEV::SEP003094C3C1FE>

01/08/2003 17:16:09.787 Cisco CallManager|StationD: 6ad4398 SetSpeakerMode speakermode=1
(On).|<CLID::ctrieu-sunpc-Cluster><NID::171.69.85.107><CT::1,100,93,1.76447>
<IP::10.17.178.88><DEV::SEP003094C3C1FE>

01/08/2003 17:16:09.787 Cisco CallManager|StationD: 6ad4398 ClearNotify.|
<CLID::ctrieu-sunpc-Cluster><NID::171.69.85.107><CT::1,100,93,1.76447><IP::10.17.178.88>
<DEV::SEP003094C3C1FE>

01/08/2003 17:16:09.787 Cisco CallManager|StationD: 6ad4398 SetRinger ringMode=1(RingOff)
.|<CLID::ctrieu-sunpc-Cluster><NID::171.69.85.107><CT::1,100,93,1.76447>
<IP::10.17.178.88><DEV::SEP003094C3C1FE>

01/08/2003 17:16:09.787 Cisco CallManager|StationD: 6ad4398 SetLamp stimulus=9(Line)
stimulusInstance=1 lampMode=2(LampOn).|<CLID::ctrieu-sunpc-Cluster><NID::171.69.85.107>
<CT::1,100,93,1.76447><IP::10.17.178.88><DEV::SEP003094C3C1FE>

01/08/2003 17:16:09.787 Cisco CallManager|StationD: 6ad4398 CallState callState=1
lineInstance=1 callReference=16777659|<CLID::ctrieu-sunpc-Cluster><NID::171.69.85.107>
<CT::1,100,93,1.76447><IP::10.17.178.88><DEV::SEP003094C3C1FE>

01/08/2003 17:16:09.787 Cisco CallManager|StationD: 6ad4398 ActivateCallPlane
lineInstance=1.|<CLID::ctrieu-sunpc-Cluster><NID::171.69.85.107><CT::1,100,93,1.76447>
<IP::10.17.178.88><DEV::SEP003094C3C1FE>

01/08/2003 17:16:09.797 Cisco CallManager|ConnectionManager - wait_AuConnectRequest
(16777656,16777659): INFORM MEDIA LAYER|<CLID::ctrieu-sunpc-Cluster><NID::171.69.85.107>
<CT::1,100,93,1.76447><IP::10.17.178.88><DEV::SEP003094C3C1FE>

01/08/2003 17:16:09.797 Cisco CallManager|ConnectionManager - storeMediaInfo(16777656):
EXISTING ENTRY DISCOVERED, tail == 1|<CLID::ctrieu-sunpc-Cluster><NID::171.69.85.107>
<CT::1,100,93,1.76447><IP::10.17.178.88><DEV::SEP003094C3C1FE>

01/08/2003 17:16:09.797 Cisco CallManager|ConnectionManager - storeMediaInfo(16777659):
ADD NEW ENTRY, tail == 2|<CLID::ctrieu-sunpc-Cluster><NID::171.69.85.107>
<CT::1,100,93,1.76447><IP::10.17.178.88><DEV::SEP003094C3C1FE>

01/08/2003 17:16:09.797 Cisco CallManager|MediaCoordinator - wait_AuConnectRequest() |
<CLID::ctrieu-sunpc-Cluster><NID::171.69.85.107><CT::1,100,93,1.76447><IP::10.17.178.88>
<DEV::SEP003094C3C1FE>

01/08/2003 17:16:09.797 Cisco CallManager|MediaCoordinator - wait_AuConnectRequest -
starting MediaManager w/ existing (0) connections|<CLID::ctrieu-sunpc-Cluster>
<NID::171.69.85.107><CT::1,100,93,1.76447><IP::10.17.178.88><DEV::SEP003094C3C1FE>

01/08/2003 17:16:09.797 Cisco CallManager|MediaCoordinator - wait_AuConnectRequest - new
MediaManager(43,72) started|<CLID::ctrieu-sunpc-Cluster><NID::171.69.85.107>
<CT::1,100,93,1.76447><IP::10.17.178.88><DEV::SEP003094C3C1FE>

01/08/2003 17:16:09.797 Cisco CallManager|MediaManager(72) started|
<CLID::ctrieu-sunpc-Cluster><NID::171.69.85.107><CT::1,100,43,72.1><IP::><DEV::>

01/08/2003 17:16:09.807 Cisco CallManager|MediaManager - wait_AuConnectRequest |
<CLID::ctrieu-sunpc-Cluster><NID::171.69.85.107><CT::1,100,93,1.76447><IP::10.17.178.88>
<DEV::SEP003094C3C1FE>

01/08/2003 17:16:09.807 Cisco CallManager|MediaManager - wait_AuConnectRequest - normal
connection|<CLID::ctrieu-sunpc-Cluster><NID::171.69.85.107><CT::1,100,93,1.76447>
<IP::10.17.178.88><DEV::SEP003094C3C1FE>

01/08/2003 17:16:09.807 Cisco CallManager|MediaManager - wait_AuConnectReply |
<CLID::ctrieu-sunpc-Cluster><NID::171.69.85.107><CT::1,100,93,1.76447><IP::10.17.178.88>
<DEV::SEP003094C3C1FE>

01/08/2003 17:16:09.807 Cisco CallManager|MediaManager - wait_AuConnectReply - received 1
responses, forwarding reply for party1(16777656) and party2(16777659) |
<CLID::ctrieu-sunpc-Cluster><NID::171.69.85.107><CT::1,100,93,1.76447><IP::10.17.178.88>
<DEV::SEP003094C3C1FE>

01/08/2003 17:16:09.807 Cisco CallManager|MediaCoordinator - wait_AuConnectReply |
<CLID::ctrieu-sunpc-Cluster><NID::171.69.85.107><CT::1,100,93,1.76447><IP::10.17.178.88>
<DEV::SEP003094C3C1FE>

01/08/2003 17:16:09.807 Cisco CallManager|ConnectionManager - wait_AuConnectReply
(16777656,16777659) |<CLID::ctrieu-sunpc-Cluster><NID::171.69.85.107>
<CT::1,100,93,1.76447><IP::10.17.178.88><DEV::SEP003094C3C1FE>

01/08/2003 17:16:09.817 Cisco CallManager|StationD: 6ad4398 StopTone. |
<CLID::ctrieu-sunpc-Cluster><NID::171.69.85.107><CT::1,100,10,63.1><IP::><DEV::>

01/08/2003 17:16:09.817 Cisco CallManager|StationD: 6ad4398 OpenReceiveChannel
conferenceID=0 passThruPartyID=1009 millisecondPacketSize=20 compressionType=4
(Media_Payload_G711Ulaw64k) qualifierIn=?. myIP: 58b2110a (10.17.178.88) |
<CLID::ctrieu-sunpc-Cluster><NID::171.69.85.107><CT::1,100,10,63.1><IP::><DEV::>

01/08/2003 17:16:09.817 Cisco CallManager|StationD: 6ad4334 StopTone. |
<CLID::ctrieu-sunpc-Cluster><NID::171.69.85.107><CT::1,100,93,1.76447><IP::10.17.178.88>
<DEV::SEP003094C3C1FE>

01/08/2003 17:16:09.817 Cisco CallManager|StationD: 6ad4334 OpenReceiveChannel
conferenceID=0 passThruPartyID=994 millisecondPacketSize=20 compressionType=4
(Media_Payload_G711Ulaw64k) qualifierIn=?. myIP: f6b2110a (10.17.178.246) |
<CLID::ctrieu-sunpc-Cluster><NID::171.69.85.107><CT::1,100,93,1.76447>
<IP::10.17.178.88><DEV::SEP003094C3C1FE>

01/08/2003 17:16:09.817 Cisco CallManager|<CLID::ctrieu-sunpc-Cluster><NID::171.69.85.107>
<CT::1,100,93,1.76447><MN::Directory Number><MV::1000><DEV::SEP003094C3C1FE>

01/08/2003 17:16:09.817 Cisco CallManager|StationD: 6ad4398 StopTone. |
<CLID::ctrieu-sunpc-Cluster><NID::171.69.85.107><CT::1,100,93,1.76447><IP::10.17.178.88>
<DEV::SEP003094C3C1FE>

01/08/2003 17:16:09.817 Cisco CallManager|StationD: 6ad4398 CallState callState=5
lineInstance=1 callReference=16777659 |<CLID::ctrieu-sunpc-Cluster><NID::171.69.85.107>
<CT::1,100,93,1.76447><IP::10.17.178.88><DEV::SEP003094C3C1FE>

01/08/2003 17:16:09.827 Cisco CallManager|StationD: 6ad4398 CallInfo callingPartyName=
' callingParty=1000 cgpnVoiceMailbox= calledPartyName=' calledParty=1001
cdpnVoiceMailbox= originalCalledPartyName=' originalCalledParty=1001
originalCdpnVoiceMailbox= originalCdpnRedirectReason=0 lastRedirectingPartyName=
' lastRedirectingParty=1001 lastRedirectingVoiceMailbox= lastRedirectingReason=0
callType=1(InBound) lineInstance=1 callReference=16777659. version: 3 |
<CLID::ctrieu-sunpc-Cluster><NID::171.69.85.107><CT::1,100,93,1.76447>
<IP::10.17.178.88><DEV::SEP003094C3C1FE>

01/08/2003 17:16:09.827 Cisco CallManager|StationD::star_StationOutputCallInfo():
callInfo: CI=16777659, CallingPartyName=, CallingParty=1000, CalledPartyName=,
CalledParty=1001, OriginalCalledPartyName=, OriginalCalledParty=1001,
lastRedirectingPartyName=, lastRedirectingParty=1001 |<CLID::ctrieu-sunpc-Cluster>

<NID::171.69.85.107><CT::1,100,93,1.76447><IP::10.17.178.88><DEV::SEP003094C3C1FE>
01/08/2003 17:16:09.827 Cisco CallManager|StationD: 6ad4398 SelectSoftKeys instance=1
reference=16777659 softKeySetIndex=1 validKeyMask=-1.|<CLID::ctrieu-sunpc-Cluster>
<NID::171.69.85.107><CT::1,100,93,1.76447><IP::10.17.178.88><DEV::SEP003094C3C1FE>
01/08/2003 17:16:09.827 Cisco CallManager|StationD: 6ad4398 DisplayPromptStatus
timeOutValue=0 promptStatus='' content='Connected' lineInstance=1 callReference=16777659
ver=3.|<CLID::ctrieu-sunpc-Cluster><NID::171.69.85.107><CT::1,100,93,1.76447>
<IP::10.17.178.88><DEV::SEP003094C3C1FE>
01/08/2003 17:16:09.827 Cisco CallManager|StationD: 6ad4334 CallInfo callingPartyName=
' ' callingParty=1000 cgpnVoiceMailbox= calledPartyName='' calledParty=1001
cdpnVoiceMailbox= originalCalledPartyName='' originalCalledParty=
originalCdpnVoiceMailbox= originalCdpnRedirectReason=0 lastRedirectingPartyName=''
lastRedirectingParty=1001 lastRedirectingVoiceMailbox= lastRedirectingReason=0
callType=2(OutBound) lineInstance=1 callReference=16777656. version: 3|
<CLID::ctrieu-sunpc-Cluster><NID::171.69.85.107><CT::1,100,93,1.76447>
<IP::10.17.178.88><DEV::SEP003094C3C1FE>
01/08/2003 17:16:09.827 Cisco CallManager|StationD::star_StationOutputCallInfo():
callInfo: CI=16777656, CallingPartyName=, CallingParty=1000, CalledPartyName=,
CalledParty=1001, OriginalCalledPartyName=, OriginalCalledParty=,
lastRedirectingPartyName=, lastRedirectingParty=1001|<CLID::ctrieu-sunpc-Cluster>
<NID::171.69.85.107><CT::1,100,93,1.76447><IP::10.17.178.88><DEV::SEP003094C3C1FE>
01/08/2003 17:16:09.827 Cisco CallManager|StationD: 6ad4334 StopTone.|
<CLID::ctrieu-sunpc-Cluster><NID::171.69.85.107><CT::1,100,93,1.76447><IP::10.17.178.88>
<DEV::SEP003094C3C1FE>
01/08/2003 17:16:09.827 Cisco CallManager|StationInit: 6ad4334 OpenReceiveChannelAck
Status=0, IpAddr=0xf6b2110a, Port=18284, PartyID=994|<CLID::ctrieu-sunpc-Cluster>
<NID::171.69.85.107><CT::1,100,93,1.76448><IP::10.17.178.246><DEV::SEP000AF4083CA6>
01/08/2003 17:16:09.827 Cisco CallManager|StationD: 6ad4398 StartMediaTransmission
conferenceID=0 passThruPartyID=1009 remoteIpAddress=f6b2110a(10.17.178.246)
remotePortNumber=18284 milliSecondPacketSize=20 compressType=4(Media_Payload_G711Ulaw64k)
qualifierOut=?. myIP: 58b2110a (10.17.178.88)|<CLID::ctrieu-sunpc-Cluster>
<NID::171.69.85.107><CT::1,100,93,1.76448><IP::10.17.178.246><DEV::SEP000AF4083CA6>
01/08/2003 17:16:09.827 Cisco CallManager|StationInit: 6ad4398 OpenReceiveChannelAck
Status=0, IpAddr=0x58b2110a, Port=18130, PartyID=1009|<CLID::ctrieu-sunpc-Cluster>
<NID::171.69.85.107><CT::1,100,93,1.76449><IP::10.17.178.88><DEV::SEP003094C3C1FE>
01/08/2003 17:16:09.827 Cisco CallManager|MediaManager - wait_AuConnectInfo|
<CLID::ctrieu-sunpc-Cluster><NID::171.69.85.107><CT::1,100,93,1.76449><IP::10.17.178.88>
<DEV::SEP003094C3C1FE>
01/08/2003 17:16:09.827 Cisco CallManager|MediaManager - wait_AuConnectInfo - received
response, fowarding|<CLID::ctrieu-sunpc-Cluster><NID::171.69.85.107>
<CT::1,100,93,1.76449><IP::10.17.178.88><DEV::SEP003094C3C1FE>
01/08/2003 17:16:09.827 Cisco CallManager|MediaCoordinator - wait_AuConnectInfoInd|
<CLID::ctrieu-sunpc-Cluster><NID::171.69.85.107><CT::1,100,93,1.76449><IP::10.17.178.88>
<DEV::SEP003094C3C1FE>
01/08/2003 17:16:09.827 Cisco CallManager|StationD: 6ad4334 StartMediaTransmission
conferenceID=0 passThruPartyID=994 remoteIpAddress=58b2110a(10.17.178.88)
remotePortNumber=18130 milliSecondPacketSize=20 compressType=4(Media_Payload_G711Ulaw64k)
qualifierOut=?. myIP: f6b2110a (10.17.178.246)|<CLID::ctrieu-sunpc-Cluster>
<NID::171.69.85.107><CT::1,100,93,1.76449><IP::10.17.178.88><DEV::SEP003094C3C1FE>
01/08/2003 17:16:09.837 Cisco CallManager|Locations: adjust: cdcc=222 readjusting
ciA=16777656 ciB=16777659 |<CLID::ctrieu-sunpc-Cluster><NID::171.69.85.107>
<CT::1,100,93,1.76449><IP::10.17.178.88><DEV::SEP003094C3C1FE>
01/08/2003 17:16:09.837 Cisco CallManager|Locations_adjustBandwidth -- cdccPID=(1.15.222)
Orig=Dest=0 no entry for cdcc. No need to adjust.|<CLID::ctrieu-sunpc-Cluster>
<NID::171.69.85.107>
01/08/2003 17:16:10.067 Cisco CallManager|CMPProcMon - -----Entered Router Verification|
<CLID::ctrieu-sunpc-Cluster><NID::171.69.85.107>
01/08/2003 17:16:10.067 Cisco CallManager|CMPProcMon - ----Exited Router Verification|
<CLID::ctrieu-sunpc-Cluster><NID::171.69.85.107>
01/08/2003 17:16:12.060 Cisco CallManager|CMPProcMon - -----Entered Router Verification|
<CLID::ctrieu-sunpc-Cluster><NID::171.69.85.107>
01/08/2003 17:16:12.060 Cisco CallManager|CMPProcMon - ----Exited Router Verification|
<CLID::ctrieu-sunpc-Cluster><NID::171.69.85.107>
01/08/2003 17:16:12.481 Cisco CallManager|StationInit: 6ad4398 OnHook.|

<CLID::ctrieu-sunpc-Cluster><NID::171.69.85.107><CT::1,100,93,1.76450><IP::10.17.178.88>
<DEV::SEP003094C3C1FE>
01/08/2003 17:16:12.481 Cisco CallManager|CTI: RoutePatternToCtiCommandData::findValue() :
RP=1001:Line1, bRc=0, T=, #entries=0|<CLID::ctrieu-sunpc-Cluster><NID::171.69.85.107>
01/08/2003 17:16:12.491 Cisco CallManager|StationD: 6ad4398 SetSpeakerMode
speakermode=2(Off).|<CLID::ctrieu-sunpc-Cluster><NID::171.69.85.107>
<CT::1,100,93,1.76450><IP::10.17.178.88><DEV::SEP003094C3C1FE>
01/08/2003 17:16:12.491 Cisco CallManager|StationD: 6ad4398 ClearPromptStatus
lineInstance=1 callReference=16777659.|<CLID::ctrieu-sunpc-Cluster>
<NID::171.69.85.107><CT::1,100,93,1.76450><IP::10.17.178.88><DEV::SEP003094C3C1FE>
01/08/2003 17:16:12.491 Cisco CallManager|StationD: 6ad4398 CallState callState=2
lineInstance=1 callReference=16777659|<CLID::ctrieu-sunpc-Cluster><NID::171.69.85.107>
<CT::1,100,93,1.76450><IP::10.17.178.88><DEV::SEP003094C3C1FE>
01/08/2003 17:16:12.491 Cisco CallManager|StationD: 6ad4398 SelectSoftKeys instance=0
reference=0 softKeySetIndex=0 validKeyMask=7.|<CLID::ctrieu-sunpc-Cluster>
<NID::171.69.85.107><CT::1,100,93,1.76450><IP::10.17.178.88><DEV::SEP003094C3C1FE>
01/08/2003 17:16:12.491 Cisco CallManager|StationD: 6ad4398 DisplayPromptStatus
timeOutValue=0 promptStatus='' content='Your current options' lineInstance=0
callReference=0 ver=3.|<CLID::ctrieu-sunpc-Cluster><NID::171.69.85.107>
<CT::1,100,93,1.76450><IP::10.17.178.88><DEV::SEP003094C3C1FE>
01/08/2003 17:16:12.491 Cisco CallManager|StationD: 6ad4398 ActivateCallPlane
lineInstance=0.|<CLID::ctrieu-sunpc-Cluster><NID::171.69.85.107><CT::1,100,93,1.76450>
<IP::10.17.178.88><DEV::SEP003094C3C1FE>
01/08/2003 17:16:12.491 Cisco CallManager|StationD: 6ad4398 SetLamp stimulus=9(Line)
stimulusInstance=1 lampMode=1(LampOff).|<CLID::ctrieu-sunpc-Cluster><NID::171.69.85.107>
<CT::1,100,93,1.76450><IP::10.17.178.88><DEV::SEP003094C3C1FE>
01/08/2003 17:16:12.491 Cisco CallManager|StationD: 6ad4398 DefineTimeDate timeDateInfo=?
systemTime=1042074972.|<CLID::ctrieu-sunpc-Cluster><NID::171.69.85.107>
<CT::1,100,93,1.76450><IP::10.17.178.88><DEV::SEP003094C3C1FE>
01/08/2003 17:16:12.491 Cisco CallManager|StationD: 6ad4398 StopTone.|
<CLID::ctrieu-sunpc-Cluster><NID::171.69.85.107><CT::1,100,93,1.76450><IP::10.17.178.88>
<DEV::SEP003094C3C1FE>
01/08/2003 17:16:12.501 Cisco CallManager|ConnectionManager - wait_AuDisconnectRequest
(16777659,16777656): STOP SESSION|<CLID::ctrieu-sunpc-Cluster><NID::171.69.85.107>
<CT::1,100,93,1.76450><IP::10.17.178.88><DEV::SEP003094C3C1FE>
01/08/2003 17:16:12.501 Cisco CallManager|ConnectionManager - storeMediaInfo(16777659):
EXISTING ENTRY DISCOVERED, tail == 2|<CLID::ctrieu-sunpc-Cluster><NID::171.69.85.107>
<CT::1,100,93,1.76450><IP::10.17.178.88><DEV::SEP003094C3C1FE>
01/08/2003 17:16:12.501 Cisco CallManager|ConnectionManager - storeMediaInfo(16777656):
EXISTING ENTRY DISCOVERED, tail == 2|<CLID::ctrieu-sunpc-Cluster><NID::171.69.85.107>
<CT::1,100,93,1.76450><IP::10.17.178.88><DEV::SEP003094C3C1FE>
01/08/2003 17:16:12.501 Cisco CallManager|MediaCoordinator - wait_AuDisconnectRequest|
<CLID::ctrieu-sunpc-Cluster><NID::171.69.85.107><CT::1,100,93,1.76450><IP::10.17.178.88>
<DEV::SEP003094C3C1FE>
01/08/2003 17:16:12.501 Cisco CallManager|MediaCoordinator - wait_AuDisconnectRequest -
sending disconnect to MediaManager(72)|<CLID::ctrieu-sunpc-Cluster><NID::171.69.85.107>
<CT::1,100,93,1.76450><IP::10.17.178.88><DEV::SEP003094C3C1FE>
01/08/2003 17:16:12.501 Cisco CallManager|MediaManager - wait_AuDisconnectRequest|
<CLID::ctrieu-sunpc-Cluster><NID::171.69.85.107><CT::1,100,93,1.76450><IP::10.17.178.88>
<DEV::SEP003094C3C1FE>
01/08/2003 17:16:12.501 Cisco CallManager|MediaManager - wait_AuDisconnectRequest -
StopSession sending disconnect to (74,72) and remove connection from list|
<CLID::ctrieu-sunpc-Cluster><NID::171.69.85.107><CT::1,100,93,1.76450><IP::10.17.178.88>
<DEV::SEP003094C3C1FE>
01/08/2003 17:16:12.501 Cisco CallManager|StationD: 6ad4334 CloseReceiveChannel
conferenceID=0 passThruPartyID=994. myIP: f6b2110a (10.17.178.246)|
<CLID::ctrieu-sunpc-Cluster><NID::171.69.85.107><CT::1,100,93,1.76450><IP::10.17.178.88>
<DEV::SEP003094C3C1FE>
01/08/2003 17:16:12.501 Cisco CallManager|StationD: 6ad4334 StopMediaTransmission
conferenceID=0 passThruPartyID=994. myIP: f6b2110a (10.17.178.246)|
<CLID::ctrieu-sunpc-Cluster><NID::171.69.85.107><CT::1,100,93,1.76450><IP::10.17.178.88>
<DEV::SEP003094C3C1FE>
01/08/2003 17:16:12.501 Cisco CallManager|StationD: 6ad4398 CloseReceiveChannel
conferenceID=0 passThruPartyID=1009. myIP: 58b2110a (10.17.178.88)|

<CLID::ctrieu-sunpc-Cluster><NID::171.69.85.107><CT::1,100,93,1.76450><IP::10.17.178.88>
<DEV::SEP003094C3C1FE>
01/08/2003 17:16:12.501 Cisco CallManager|StationD: 6ad4398 StopMediaTransmission
conferenceID=0 passThruPartyID=1009. myIP: 58b2110a (10.17.178.88) |
<CLID::ctrieu-sunpc-Cluster><NID::171.69.85.107><CT::1,100,93,1.76450><IP::10.17.178.88>
<DEV::SEP003094C3C1FE>
01/08/2003 17:16:12.511 Cisco CallManager|MediaManager - wait_AuDisconnectReply|
<CLID::ctrieu-sunpc-Cluster><NID::171.69.85.107><CT::1,100,93,1.76450><IP::10.17.178.88>
<DEV::SEP003094C3C1FE>
01/08/2003 17:16:12.511 Cisco CallManager|MediaManager - wait_AuDisconnectReply - received
all disconnect replies, forwarding a reply for party1(16777659) and party2(16777656) |
<CLID::ctrieu-sunpc-Cluster><NID::171.69.85.107><CT::1,100,93,1.76450><IP::10.17.178.88>
<DEV::SEP003094C3C1FE>
01/08/2003 17:16:12.511 Cisco CallManager|MediaCoordinator - wait_AuDisconnectReply|
<CLID::ctrieu-sunpc-Cluster><NID::171.69.85.107><CT::1,100,93,1.76450><IP::10.17.178.88>
<DEV::SEP003094C3C1FE>
01/08/2003 17:16:12.511 Cisco CallManager|MediaCoordinator - wait_AuDisconnectReply -
removing MediaManager(72) from connection list|<CLID::ctrieu-sunpc-Cluster>
<NID::171.69.85.107><CT::1,100,93,1.76450><IP::10.17.178.88><DEV::SEP003094C3C1FE>
01/08/2003 17:16:12.511 Cisco CallManager|ConnectionManager - wait_AuDisconnectReply
(16777659,16777656): STOP SESSION|<CLID::ctrieu-sunpc-Cluster><NID::171.69.85.107>
<CT::1,100,93,1.76450><IP::10.17.178.88><DEV::SEP003094C3C1FE>
01/08/2003 17:16:12.511 Cisco CallManager|ConnectionManager - deleteMediaInfoEntry
(16777659): ENTRY DELETED, tail == 1|<CLID::ctrieu-sunpc-Cluster><NID::171.69.85.107>
<CT::1,100,93,1.76450><IP::10.17.178.88><DEV::SEP003094C3C1FE>
01/08/2003 17:16:12.511 Cisco CallManager|ConnectionManager - deleteMediaInfoEntry
(16777656): ENTRY DELETED, tail == 0|<CLID::ctrieu-sunpc-Cluster><NID::171.69.85.107>
<CT::1,100,93,1.76450><IP::10.17.178.88><DEV::SEP003094C3C1FE>
01/08/2003 17:16:12.511 Cisco CallManager|<CLID::ctrieu-sunpc-Cluster><NID::171.69.85.107>
<CT::1,100,93,1.76450><MN::Directory Number><MV::1000><DEV::SEP003094C3C1FE>
01/08/2003 17:16:12.511 Cisco CallManager|CTI: RoutePatternToCtiCommandData::findValue() :
RP=1000:Line1, bRc=0, T=, #entries=0|<CLID::ctrieu-sunpc-Cluster><NID::171.69.85.107>
01/08/2003 17:16:12.511 Cisco CallManager|CTI: RoutePatternToCtiCommandData::findValue() :
RP=1000:Line1, bRc=0, T=, #entries=0|<CLID::ctrieu-sunpc-Cluster><NID::171.69.85.107>
01/08/2003 17:16:12.511 Cisco CallManager|StationCdpc - INFO: clearType=0, mHoldFlag=0,
mMediaConnFlag=1. |<CLID::ctrieu-sunpc-Cluster><NID::171.69.85.107><CT::1,100,93,1.76450>
<IP::10.17.178.88><DEV::SEP003094C3C1FE>
01/08/2003 17:16:12.511 Cisco CallManager|StationCdpc - INFO: NormalClear. |
<CLID::ctrieu-sunpc-Cluster><NID::171.69.85.107><CT::1,100,93,1.76450><IP::10.17.178.88>
<DEV::SEP003094C3C1FE>
01/08/2003 17:16:12.511 Cisco CallManager|StationD: 6ad4334 DefineTimeDate timeDateInfo=?
systemTime=1042074972. |<CLID::ctrieu-sunpc-Cluster><NID::171.69.85.107>
<CT::1,100,93,1.76450><IP::10.17.178.88><DEV::SEP003094C3C1FE>
01/08/2003 17:16:12.521 Cisco CallManager|StationD: 6ad4334 SetSpeakerMode
speakermode=2(Off). |<CLID::ctrieu-sunpc-Cluster><NID::171.69.85.107>
<CT::1,100,93,1.76450><IP::10.17.178.88><DEV::SEP003094C3C1FE>
01/08/2003 17:16:12.521 Cisco CallManager|StationD: 6ad4334 ClearPromptStatus
lineInstance=1 callReference=16777656. |<CLID::ctrieu-sunpc-Cluster>
<NID::171.69.85.107><CT::1,100,93,1.76450><IP::10.17.178.88><DEV::SEP003094C3C1FE>
01/08/2003 17:16:12.521 Cisco CallManager|StationD: 6ad4334 CallState callState=2
lineInstance=1 callReference=16777656 |<CLID::ctrieu-sunpc-Cluster><NID::171.69.85.107>
<CT::1,100,93,1.76450><IP::10.17.178.88><DEV::SEP003094C3C1FE>
01/08/2003 17:16:12.521 Cisco CallManager|StationD: 6ad4334 SelectSoftKeys instance=0
reference=0 softKeySetIndex=0 validKeyMask=7. |<CLID::ctrieu-sunpc-Cluster>
<NID::171.69.85.107><CT::1,100,93,1.76450><IP::10.17.178.88><DEV::SEP003094C3C1FE>
01/08/2003 17:16:12.521 Cisco CallManager|StationD: 6ad4334 DisplayPromptStatus
timeOutValue=0 promptStatus='' content='Your current options' lineInstance=0
callReference=0 ver=3. |<CLID::ctrieu-sunpc-Cluster><NID::171.69.85.107>
<CT::1,100,93,1.76450><IP::10.17.178.88><DEV::SEP003094C3C1FE>
01/08/2003 17:16:12.521 Cisco CallManager|StationD: 6ad4334 ActivateCallPlane
lineInstance=0. |<CLID::ctrieu-sunpc-Cluster><NID::171.69.85.107><CT::1,100,93,1.76450>
<IP::10.17.178.88><DEV::SEP003094C3C1FE>
01/08/2003 17:16:12.521 Cisco CallManager|StationD: 6ad4334 SetLamp stimulus=9(Line)
stimulusInstance=1 lampMode=1(LampOff). |<CLID::ctrieu-sunpc-Cluster><NID::171.69.85.107>

<CT::1,100,93,1.76450><IP::10.17.178.88><DEV::SEP003094C3C1FE>
01/08/2003 17:16:12.521 Cisco CallManager|StationD: 6ad4334 DefineTimeDate timeDateInfo=?
systemTime=1042074972.|<CLID::ctrieu-sunpc-Cluster><NID::171.69.85.107>
<CT::1,100,93,1.76450><IP::10.17.178.88><DEV::SEP003094C3C1FE>
01/08/2003 17:16:12.521 Cisco CallManager|StationD: 6ad4334 StopTone.|
<CLID::ctrieu-sunpc-Cluster><NID::171.69.85.107><CT::1,100,93,1.76450><IP::10.17.178.88>
<DEV::SEP003094C3C1FE>
01/08/2003 17:16:12.521 Cisco CallManager|Delete entries from MonitorPartyTable, now this
table has 1 entries|<CLID::ctrieu-sunpc-Cluster><NID::171.69.85.107>
<CT::1,100,93,1.76450><IP::10.17.178.88><DEV::SEP003094C3C1FE>
01/08/2003 17:16:12.521 Cisco CallManager|Delete entries from MonitorPartyTable, now this
table has 0 entries|<CLID::ctrieu-sunpc-Cluster><NID::171.69.85.107>
<CT::1,100,93,1.76450><IP::10.17.178.88><DEV::SEP003094C3C1FE>
01/08/2003 17:16:12.521 Cisco CallManager|Delete entries from TransTable, now this table
has 3 entries|<CLID::ctrieu-sunpc-Cluster><NID::171.69.85.107><CT::1,100,93,1.76450>
<IP::10.17.178.88><DEV::SEP003094C3C1FE>
01/08/2003 17:16:12.521 Cisco CallManager|Delete entries from CiCcp table, now this table
has 0 entries|<CLID::ctrieu-sunpc-Cluster><NID::171.69.85.107><CT::1,100,93,1.76450>
<IP::10.17.178.88><DEV::SEP003094C3C1FE>
01/08/2003 17:16:12.531 Cisco CallManager|Locations_releaseBandwidth -- cdccPID=(1.15.222)
no entry.|<CLID::ctrieu-sunpc-Cluster><NID::171.69.85.107>
01/08/2003 17:16:14.063 Cisco CallManager|CMPProcMon - -----Entered Router Verification|
<CLID::ctrieu-sunpc-Cluster><NID::171.69.85.107>
01/08/2003 17:16:14.063 Cisco CallManager|CMPProcMon - ----Exited Router Verification|
<CLID::ctrieu-sunpc-Cluster><NID::171.69.85.107>
01/08/2003 17:16:16.066 Cisco CallManager|CMPProcMon - -----Entered Router Verification|
<CLID::ctrieu-sunpc-Cluster><NID::171.69.85.107>
01/08/2003 17:16:16.066 Cisco CallManager|CMPProcMon - ----Exited Router Verification|
<CLID::ctrieu-sunpc-Cluster><NID::171.69.85.107>
01/08/2003 17:16:18.069 Cisco CallManager|CMPProcMon - -----Entered Router Verification|
<CLID::ctrieu-sunpc-Cluster><NID::171.69.85.107>
01/08/2003 17:16:18.069 Cisco CallManager|CMPProcMon - ----Exited Router Verification|
<CLID::ctrieu-sunpc-Cluster><NID::171.69.85.107>
01/08/2003 17:16:20.072 Cisco CallManager|CMPProcMon - -----Entered Router Verification|
<CLID::ctrieu-sunpc-Cluster><NID::171.69.85.107>
01/08/2003 17:16:20.072 Cisco CallManager|CMPProcMon - ----Exited Router Verification|
<CLID::ctrieu-sunpc-Cluster><NID::171.69.85.107>
01/08/2003 17:16:21.424 Cisco CallManager|MGCPHandler received msg from: 172.16.13.81
NTFY 11417 *@3660-4 MGCP 0.1
X: 0
O:
|<CLID::ctrieu-sunpc-Cluster><NID::171.69.85.107><CT::1,100,53,1.41822><IP::172.16.13.81>
<DEV::>
01/08/2003 17:16:21.424 Cisco CallManager|<CLID::ctrieu-sunpc-Cluster><NID::171.69.85.107>
<CT::1,100,53,1.41822><MN::MGCPEndPoint><MV::*@3660-4><DEV::>
01/08/2003 17:16:21.424 Cisco CallManager|MGCPHandler send msg SUCCESSFULLY to:
172.16.13.81
200 11417
|<CLID::ctrieu-sunpc-Cluster><NID::171.69.85.107><CT::1,100,53,1.41822><IP::172.16.13.81>
<DEV::>
01/08/2003 17:16:21.434 Cisco CallManager|MGCPManager remove recent Incoming transId
11415|<CLID::ctrieu-sunpc-Cluster><NID::171.69.85.107><CT::1,100,53,1.41804>
<IP::172.16.13.81><DEV::>
01/08/2003 17:16:22.075 Cisco CallManager|CMPProcMon - -----Entered Router Verification|
<CLID::ctrieu-sunpc-Cluster><NID::171.69.85.107>
01/08/2003 17:16:22.075 Cisco CallManager|CMPProcMon - ----Exited Router Verification|
<CLID::ctrieu-sunpc-Cluster><NID::171.69.85.107>
01/08/2003 17:16:22.726 Cisco CallManager|MGCPHandler received msg from: 172.16.13.169
NTFY 18358 *@VG200-2 MGCP 0.1
X: 0
O:
|<CLID::ctrieu-sunpc-Cluster><NID::171.69.85.107><CT::1,100,53,1.41823><IP::172.16.13.169>
<DEV::>
01/08/2003 17:16:22.726 Cisco CallManager|<CLID::ctrieu-sunpc-Cluster><NID::171.69.85.107>

<CT::1,100,53,1.41823><MN::MGCPEndPoint><MV::*@VG200-2><DEV::>
01/08/2003 17:16:22.736 Cisco CallManager|MGCPHandler send msg SUCCESSFULLY to:
172.16.13.169
200 18358
|<CLID::ctrieu-sunpc-Cluster><NID::171.69.85.107><CT::1,100,53,1.41823><IP::172.16.13.169>
<DEV::>
01/08/2003 17:16:22.816 Cisco CallManager|Db - Getting Host by Name. IP Name = 2620vgw|
<CLID::ctrieu-sunpc-Cluster><NID::171.69.85.107><CT::1,100,68,1.1><IP::><DEV::>
01/08/2003 17:16:24.078 Cisco CallManager|CMPProcMon - -----Entered Router Verification|
<CLID::ctrieu-sunpc-Cluster><NID::171.69.85.107>
01/08/2003 17:16:24.078 Cisco CallManager|CMPProcMon - ----Exited Router Verification|
<CLID::ctrieu-sunpc-Cluster><NID::171.69.85.107>
01/08/2003 17:16:25.099 Cisco CallManager|Db - Timeout! Host could not be found by name
given. Device Name = 2620vgw|<CLID::ctrieu-sunpc-Cluster><NID::171.69.85.107>
<CT::1,100,68,1.1><IP::><DEV::>
01/08/2003 17:16:26.081 Cisco CallManager|CMPProcMon - -----Entered Router Verification|
<CLID::ctrieu-sunpc-Cluster><NID::171.69.85.107>
01/08/2003 17:16:26.081 Cisco CallManager|CMPProcMon - ----Exited Router Verification|
<CLID::ctrieu-sunpc-Cluster><NID::171.69.85.107>
01/08/2003 17:16:26.181 Cisco CallManager|MGCPManager remove recent Incoming transId
18351|<CLID::ctrieu-sunpc-Cluster><NID::171.69.85.107><CT::1,100,53,1.41805>
<IP::172.16.13.169><DEV::>
01/08/2003 17:16:27.212 Cisco CallManager|StationInit - InboundStim - KeepAliveMessage -
Send KeepAlive to Device Controller. DeviceName=SEP003094C3C1FE, TCPHandle=0x6ad4398,
Socket=0x800, IPAddr=10.17.178.88, Port=50826, Device Controller=[1,92,22]|
<CLID::ctrieu-sunpc-Cluster><NID::171.69.85.107><CT::1,100,93,1.76451><IP::10.17.178.88>
<DEV::SEP003094C3C1FE>
01/08/2003 17:16:27.212 Cisco CallManager|StationInit: 6ad4398 KeepAliveAck.|
<CLID::ctrieu-sunpc-Cluster><NID::171.69.85.107><CT::1,100,93,1.76451><IP::10.17.178.88>
<DEV::SEP003094C3C1FE>
01/08/2003 17:16:28.094 Cisco CallManager|CMPProcMon - -----Entered Router Verification|
<CLID::ctrieu-sunpc-Cluster><NID::171.69.85.107>
01/08/2003 17:16:28.094 Cisco CallManager|CMPProcMon - ----Exited Router Verification|
<CLID::ctrieu-sunpc-Cluster><NID::171.69.85.107>
01/08/2003 17:16:28.354 Cisco CallManager|StationInit - InboundStim - KeepAliveMessage -
Send KeepAlive to Device Controller. DeviceName=MTP_ctrieu-sunp, TCPHandle=0x6ad426c,
Socket=0x70c, IPAddr=171.69.85.107, Port=2377, Device Controller=[1,46,2]|
<CLID::ctrieu-sunpc-Cluster><NID::171.69.85.107><CT::1,100,93,1.76452><IP::171.69.85.107>
<DEV::MTP_ctrieu-sunp>
01/08/2003 17:16:28.354 Cisco CallManager|StationInit: 6ad426c KeepAliveAck.|
<CLID::ctrieu-sunpc-Cluster><NID::171.69.85.107><CT::1,100,93,1.76452><IP::171.69.85.107>
<DEV::MTP_ctrieu-sunp>
01/08/2003 17:16:29.806 Cisco CallManager|MGCPManager remove recent Incoming transId
18352|<CLID::ctrieu-sunpc-Cluster><NID::171.69.85.107><CT::1,100,53,1.41808>
<IP::172.16.13.169><DEV::>
01/08/2003 17:16:30.097 Cisco CallManager|CMPProcMon - -----Entered Router Verification|
<CLID::ctrieu-sunpc-Cluster><NID::171.69.85.107>
01/08/2003 17:16:30.097 Cisco CallManager|CMPProcMon - ----Exited Router Verification|
<CLID::ctrieu-sunpc-Cluster><NID::171.69.85.107>
01/08/2003 17:16:30.467 Cisco CallManager|StationInit - InboundStim - KeepAliveMessage -
Send KeepAlive to Device Controller. DeviceName=SEP000AF4083CA6, TCPHandle=0x6ad4334,
Socket=0x84c, IPAddr=10.17.178.246, Port=52860, Device Controller=[1,92,17]|
<CLID::ctrieu-sunpc-Cluster><NID::171.69.85.107><CT::1,100,93,1.76453><IP::10.17.178.246>
<DEV::SEP000AF4083CA6>
01/08/2003 17:16:30.467 Cisco CallManager|StationInit: 6ad4334 KeepAliveAck.|
<CLID::ctrieu-sunpc-Cluster><NID::171.69.85.107><CT::1,100,93,1.76453><IP::10.17.178.246>
<DEV::SEP000AF4083CA6>
01/08/2003 17:16:31.789 Cisco CallManager|StationInit - InboundStim - KeepAliveMessage -
Send KeepAlive to Device Controller. DeviceName=CFB_ctrieu-sunp, TCPHandle=0x6ad4208,
Socket=0x1e4, IPAddr=171.69.85.107, Port=2389, Device Controller=[1,102,2]|
<CLID::ctrieu-sunpc-Cluster><NID::171.69.85.107><CT::1,100,93,1.76454><IP::171.69.85.107>
<DEV::CFB_ctrieu-sunp>
01/08/2003 17:16:31.789 Cisco CallManager|StationInit: 6ad4208 KeepAliveAck.|
<CLID::ctrieu-sunpc-Cluster><NID::171.69.85.107><CT::1,100,93,1.76454><IP::171.69.85.107>

<DEV::CFB_ctrieu-sunp>
01/08/2003 17:16:32.090 Cisco CallManager|CMPProcMon - -----Entered Router Verification|
<CLID::ctrieu-sunpc-Cluster><NID::171.69.85.107>
01/08/2003 17:16:32.090 Cisco CallManager|CMPProcMon - ----Exited Router Verification|
<CLID::ctrieu-sunpc-Cluster><NID::171.69.85.107>
01/08/2003 17:16:32.200 Cisco CallManager|EnvProcessCdr::wait_CdrFileTimer|
<CLID::ctrieu-sunpc-Cluster><NID::171.69.85.107><CT::1,100,6,1.1><IP::><DEV::>
01/08/2003 17:16:32.200 Cisco CallManager|EnvProcessCdr::closeCdrFile|
<CLID::ctrieu-sunpc-Cluster><NID::171.69.85.107><CT::1,100,6,1.1><IP::><DEV::>
01/08/2003 17:16:32.200 Cisco CallManager|EnvProcessCdr::closeCmrFile|
<CLID::ctrieu-sunpc-Cluster><NID::171.69.85.107><CT::1,100,6,1.1><IP::><DEV::>
01/08/2003 17:16:33.061 Cisco CallManager|MGCPManager remove recent Incoming transId
18353|<CLID::ctrieu-sunpc-Cluster><NID::171.69.85.107><CT::1,100,53,1.41811>
<IP::172.16.13.169><DEV::>
01/08/2003 17:16:33.402 Cisco CallManager|MGCPManager remove recent Incoming transId
18354|<CLID::ctrieu-sunpc-Cluster><NID::171.69.85.107><CT::1,100,53,1.41813>
<IP::172.16.13.169><DEV::>
01/08/2003 17:16:33.442 Cisco CallManager|StationInit - InboundStim - KeepAliveMessage -
Send KeepAlive to Device Controller. DeviceName=MOH_ctrieu-sunp, TCPHandle=0x6ad42d0,
Socket=0x774, IPAddr=171.69.85.107, Port=2403, Device Controller=[1,69,2]|
<CLID::ctrieu-sunpc-Cluster><NID::171.69.85.107><CT::1,100,93,1.76455><IP::171.69.85.107>
<DEV::MOH_ctrieu-sunp>
01/08/2003 17:16:33.442 Cisco CallManager|StationInit: 6ad42d0 KeepAliveAck.|
<CLID::ctrieu-sunpc-Cluster><NID::171.69.85.107><CT::1,100,93,1.76455><IP::171.69.85.107>
<DEV::MOH_ctrieu-sunp>
01/08/2003 17:16:33.782 Cisco CallManager|MGCPManager remove recent Incoming transId
18355|<CLID::ctrieu-sunpc-Cluster><NID::171.69.85.107><CT::1,100,53,1.41814>
<IP::172.16.13.169><DEV::>
01/08/2003 17:16:34.093 Cisco CallManager|CMPProcMon - -----Entered Router Verification|
<CLID::ctrieu-sunpc-Cluster><NID::171.69.85.107>
01/08/2003 17:16:34.093 Cisco CallManager|CMPProcMon - ----Exited Router Verification|
<CLID::ctrieu-sunpc-Cluster><NID::171.69.85.107>
01/08/2003 17:16:34.183 Cisco CallManager|MGCPManager remove recent Incoming transId
18356|<CLID::ctrieu-sunpc-Cluster><NID::171.69.85.107><CT::1,100,53,1.41815>
<IP::172.16.13.169><DEV::>
01/08/2003 17:16:36.095 Cisco CallManager|CMPProcMon - -----Entered Router Verification|
<CLID::ctrieu-sunpc-Cluster><NID::171.69.85.107>
01/08/2003 17:16:36.095 Cisco CallManager|CMPProcMon - ----Exited Router Verification|
<CLID::ctrieu-sunpc-Cluster><NID::171.69.85.107>
01/08/2003 17:16:36.416 Cisco CallManager|MGCPHandler received msg from: 172.16.13.81
NTFY 11418 *@3660-4 MGCP 0.1
X: 0
O:
|<CLID::ctrieu-sunpc-Cluster><NID::171.69.85.107><CT::1,100,53,1.41824><IP::172.16.13.81>
<DEV::>
01/08/2003 17:16:36.416 Cisco CallManager|<CLID::ctrieu-sunpc-Cluster><NID::171.69.85.107>
<CT::1,100,53,1.41824><MN::MGCPEndPoint><MV::*@3660-4><DEV::>
01/08/2003 17:16:36.426 Cisco CallManager|MGCPManager remove recent Incoming transId
11416|<CLID::ctrieu-sunpc-Cluster><NID::171.69.85.107><CT::1,100,53,1.41818>
<IP::172.16.13.81><DEV::>
01/08/2003 17:16:36.426 Cisco CallManager|MGCPHandler send msg SUCCESSFULLY to:
172.16.13.81
200 11418
|<CLID::ctrieu-sunpc-Cluster><NID::171.69.85.107><CT::1,100,53,1.41824><IP::172.16.13.81>
<DEV::>
01/08/2003 17:16:37.728 Cisco CallManager|MGCPManager remove recent Incoming transId
18357|<CLID::ctrieu-sunpc-Cluster><NID::171.69.85.107><CT::1,100,53,1.41820>
<IP::172.16.13.169><DEV::>
01/08/2003 17:16:37.738 Cisco CallManager|MGCPHandler received msg from: 172.16.13.169
NTFY 18359 *@VG200-2 MGCP 0.1
X: 0
O:
|<CLID::ctrieu-sunpc-Cluster><NID::171.69.85.107><CT::1,100,53,1.41825><IP::172.16.13.169>
<DEV::>

01/08/2003 17:16:37.738 Cisco CallManager|<CLID::ctrieu-sunpc-Cluster><NID::171.69.85.107>
<CT::1,100,53,1.41825><MN::MGCPEndPoint><MV::*@VG200-2><DEV::>
01/08/2003 17:16:37.738 Cisco CallManager|MGCPHandler send msg SUCCESSFULLY to:
172.16.13.169
200 18359
|<CLID::ctrieu-sunpc-Cluster><NID::171.69.85.107><CT::1,100,53,1.41825><IP::172.16.13.169>
<DEV::>
01/08/2003 17:16:38.098 Cisco CallManager|CMPProcMon - -----Entered Router Verification|
<CLID::ctrieu-sunpc-Cluster><NID::171.69.85.107>
01/08/2003 17:16:38.098 Cisco CallManager|CMPProcMon - ----Exited Router Verification|
<CLID::ctrieu-sunpc-Cluster><NID::171.69.85.107>
01/08/2003 17:16:40.101 Cisco CallManager|CMPProcMon - -----Entered Router Verification|
<CLID::ctrieu-sunpc-Cluster><NID::171.69.85.107>
01/08/2003 17:16:40.101 Cisco CallManager|CMPProcMon - ----Exited Router Verification|
<CLID::ctrieu-sunpc-Cluster><NID::171.69.85.107>
01/08/2003 17:16:42.104 Cisco CallManager|CMPProcMon - -----Entered Router Verification|
<CLID::ctrieu-sunpc-Cluster><NID::171.69.85.107>
01/08/2003 17:16:42.104 Cisco CallManager|CMPProcMon - ----Exited Router Verification|
<CLID::ctrieu-sunpc-Cluster><NID::171.69.85.107>
01/08/2003 17:16:44.107 Cisco CallManager|CMPProcMon - -----Entered Router Verification|
<CLID::ctrieu-sunpc-Cluster><NID::171.69.85.107>
01/08/2003 17:16:44.107 Cisco CallManager|CMPProcMon - ----Exited Router Verification|
<CLID::ctrieu-sunpc-Cluster><NID::171.69.85.107>
01/08/2003 17:16:46.100 Cisco CallManager|CMPProcMon - -----Entered Router Verification|
<CLID::ctrieu-sunpc-Cluster><NID::171.69.85.107>
01/08/2003 17:16:46.100 Cisco CallManager|CMPProcMon - ----Exited Router Verification|
<CLID::ctrieu-sunpc-Cluster><NID::171.69.85.107>
01/08/2003 17:16:48.113 Cisco CallManager|CMPProcMon - -----Entered Router Verification|
<CLID::ctrieu-sunpc-Cluster><NID::171.69.85.107>
01/08/2003 17:16:48.113 Cisco CallManager|CMPProcMon - ----Exited Router Verification|
<CLID::ctrieu-sunpc-Cluster><NID::171.69.85.107>
01/08/2003 17:16:50.116 Cisco CallManager|CMPProcMon - -----Entered Router Verification|
<CLID::ctrieu-sunpc-Cluster><NID::171.69.85.107>
01/08/2003 17:16:50.116 Cisco CallManager|CMPProcMon - ----Exited Router Verification|
<CLID::ctrieu-sunpc-Cluster><NID::171.69.85.107>
01/08/2003 17:16:51.418 Cisco CallManager|MGCPHandler received msg from: 172.16.13.81
NTFY 11419 *@3660-4 MGCP 0.1
X: 0
O:
|<CLID::ctrieu-sunpc-Cluster><NID::171.69.85.107><CT::1,100,53,1.41826><IP::172.16.13.81>
<DEV::>
01/08/2003 17:16:51.418 Cisco CallManager|<CLID::ctrieu-sunpc-Cluster><NID::171.69.85.107>
<CT::1,100,53,1.41826><MN::MGCPEndPoint><MV::*@3660-4><DEV::>
01/08/2003 17:16:51.418 Cisco CallManager|MGCPManager remove recent Incoming transId
11417|<CLID::ctrieu-sunpc-Cluster><NID::171.69.85.107><CT::1,100,53,1.41822>
<IP::172.16.13.81><DEV::>
01/08/2003 17:16:51.418 Cisco CallManager|MGCPHandler send msg SUCCESSFULLY to:
172.16.13.81
200 11419
|<CLID::ctrieu-sunpc-Cluster><NID::171.69.85.107><CT::1,100,53,1.41826><IP::172.16.13.81>
<DEV::>
01/08/2003 17:16:52.109 Cisco CallManager|CMPProcMon - -----Entered Router Verification|
<CLID::ctrieu-sunpc-Cluster><NID::171.69.85.107>
01/08/2003 17:16:52.109 Cisco CallManager|CMPProcMon - ----Exited Router Verification|
<CLID::ctrieu-sunpc-Cluster><NID::171.69.85.107>
01/08/2003 17:16:52.740 Cisco CallManager|MGCPHandler received msg from: 172.16.13.169
NTFY 18360 *@VG200-2 MGCP 0.1
X: 0
O:
|<CLID::ctrieu-sunpc-Cluster><NID::171.69.85.107><CT::1,100,53,1.41827><IP::172.16.13.169>
<DEV::>
01/08/2003 17:16:52.740 Cisco CallManager|<CLID::ctrieu-sunpc-Cluster><NID::171.69.85.107>
<CT::1,100,53,1.41827><MN::MGCPEndPoint><MV::*@VG200-2><DEV::>
01/08/2003 17:16:52.740 Cisco CallManager|MGCPHandler send msg SUCCESSFULLY to:

172.16.13.169
200 18360
|<CLID::ctrieu-sunpc-Cluster><NID::171.69.85.107><CT::1,100,53,1.41827><IP::172.16.13.169>
<DEV::>
01/08/2003 17:16:52.750 Cisco CallManager|MGCPManager remove recent Incoming transId
18358|<CLID::ctrieu-sunpc-Cluster><NID::171.69.85.107><CT::1,100,53,1.41823>
<IP::172.16.13.169><DEV::>
01/08/2003 17:16:54.112 Cisco CallManager|CMPProcMon - -----Entered Router Verification|
<CLID::ctrieu-sunpc-Cluster><NID::171.69.85.107>
01/08/2003 17:16:54.112 Cisco CallManager|CMPProcMon - ----Exited Router Verification|
<CLID::ctrieu-sunpc-Cluster><NID::171.69.85.107>
01/08/2003 17:16:55.213 Cisco CallManager|Db - Getting Host by Name. IP Name = 2620vgw|
<CLID::ctrieu-sunpc-Cluster><NID::171.69.85.107><CT::1,100,68,1.1><IP::><DEV::>
01/08/2003 17:16:56.125 Cisco CallManager|CMPProcMon - -----Entered Router Verification|
<CLID::ctrieu-sunpc-Cluster><NID::171.69.85.107>
01/08/2003 17:16:56.125 Cisco CallManager|CMPProcMon - ----Exited Router Verification|
<CLID::ctrieu-sunpc-Cluster><NID::171.69.85.107>
01/08/2003 17:16:57.216 Cisco CallManager|StationInit - InboundStim - KeepAliveMessage -
Send KeepAlive to Device Controller. DeviceName=SEP003094C3C1FE, TCPHandle=0x6ad4398,
Socket=0x800, IPAddr=10.17.178.88, Port=50826, Device Controller=[1,92,22]|
<CLID::ctrieu-sunpc-Cluster><NID::171.69.85.107><CT::1,100,93,1.76456><IP::10.17.178.88>
<DEV::SEP003094C3C1FE>
01/08/2003 17:16:57.216 Cisco CallManager|StationInit: 6ad4398 KeepAliveAck.|
<CLID::ctrieu-sunpc-Cluster><NID::171.69.85.107><CT::1,100,93,1.76456><IP::10.17.178.88>
<DEV::SEP003094C3C1FE>
01/08/2003 17:16:57.497 Cisco CallManager|Db - Timeout! Host could not be found by name
given. Device Name = 2620vgw|<CLID::ctrieu-sunpc-Cluster><NID::171.69.85.107>
<CT::1,100,68,1.1><IP::><DEV::>
01/08/2003 17:16:58.128 Cisco CallManager|CMPProcMon - -----Entered Router Verification|
<CLID::ctrieu-sunpc-Cluster><NID::171.69.85.107>
01/08/2003 17:16:58.128 Cisco CallManager|CMPProcMon - ----Exited Router Verification|
<CLID::ctrieu-sunpc-Cluster><NID::171.69.85.107>
01/08/2003 17:16:58.538 Cisco CallManager|StationInit - InboundStim - KeepAliveMessage -
Send KeepAlive to Device Controller. DeviceName=MTP_ctrieu-sunp, TCPHandle=0x6ad426c,
Socket=0x70c, IPAddr=171.69.85.107, Port=2377, Device Controller=[1,46,2]|
<CLID::ctrieu-sunpc-Cluster><NID::171.69.85.107><CT::1,100,93,1.76457><IP::171.69.85.107>
<DEV::MTP_ctrieu-sunp>
01/08/2003 17:16:58.538 Cisco CallManager|StationInit: 6ad426c KeepAliveAck.|
<CLID::ctrieu-sunpc-Cluster><NID::171.69.85.107><CT::1,100,93,1.76457><IP::171.69.85.107>
<DEV::MTP_ctrieu-sunp>
01/08/2003 17:17:00.141 Cisco CallManager|CMPProcMon - -----Entered Router Verification|
<CLID::ctrieu-sunpc-Cluster><NID::171.69.85.107>
01/08/2003 17:17:00.161 Cisco CallManager|CMPProcMon - ----Exited Router Verification|
<CLID::ctrieu-sunpc-Cluster><NID::171.69.85.107>
01/08/2003 17:17:00.471 Cisco CallManager|StationInit - InboundStim - KeepAliveMessage -
Send KeepAlive to Device Controller. DeviceName=SEP000AF4083CA6, TCPHandle=0x6ad4334,
Socket=0x84c, IPAddr=10.17.178.246, Port=52860, Device Controller=[1,92,17]|
<CLID::ctrieu-sunpc-Cluster><NID::171.69.85.107><CT::1,100,93,1.76458><IP::10.17.178.246>
<DEV::SEP000AF4083CA6>
01/08/2003 17:17:00.471 Cisco CallManager|StationInit: 6ad4334 KeepAliveAck.|
<CLID::ctrieu-sunpc-Cluster><NID::171.69.85.107><CT::1,100,93,1.76458><IP::10.17.178.246>
<DEV::SEP000AF4083CA6>
01/08/2003 17:17:01.993 Cisco CallManager|StationInit - InboundStim - KeepAliveMessage -
Send KeepAlive to Device Controller. DeviceName=CFB_ctrieu-sunp, TCPHandle=0x6ad4208,
Socket=0x1e4, IPAddr=171.69.85.107, Port=2389, Device Controller=[1,102,2]|
<CLID::ctrieu-sunpc-Cluster><NID::171.69.85.107><CT::1,100,93,1.76459><IP::171.69.85.107>
<DEV::CFB_ctrieu-sunp>
01/08/2003 17:17:01.993 Cisco CallManager|StationInit: 6ad4208 KeepAliveAck.|
<CLID::ctrieu-sunpc-Cluster><NID::171.69.85.107><CT::1,100,93,1.76459><IP::171.69.85.107>
<DEV::CFB_ctrieu-sunp>
01/08/2003 17:17:02.164 Cisco CallManager|CMPProcMon - -----Entered Router Verification|
<CLID::ctrieu-sunpc-Cluster><NID::171.69.85.107>
01/08/2003 17:17:02.164 Cisco CallManager|CMPProcMon - ----Exited Router Verification|
<CLID::ctrieu-sunpc-Cluster><NID::171.69.85.107>

```
01/08/2003 17:17:03.606 Cisco CallManager|StationInit - InboundStim - KeepAliveMessage -
Send KeepAlive to Device Controller. DeviceName=MOH_ctrieu-sunp, TCPHandle=0x6ad42d0,
Socket=0x774, IPAddr=171.69.85.107, Port=2403, Device Controller=[1,69,2]
<CLID::ctrieu-sunpc-Cluster><NID::171.69.85.107><CT::1,100,93,1.76460><IP::171.69.85.107>
<DEV::MOH_ctrieu-sunp>
01/08/2003 17:17:03.606 Cisco CallManager|StationInit: 6ad42d0 KeepAliveAck.|
<CLID::ctrieu-sunpc-Cluster><NID::171.69.85.107><CT::1,100,93,1.76460><IP::171.69.85.107>
<DEV::MOH_ctrieu-sunp>
01/08/2003 17:17:04.167 Cisco CallManager|CMPProcMon - -----Entered Router Verification|
<CLID::ctrieu-sunpc-Cluster><NID::171.69.85.107>
01/08/2003 17:17:04.167 Cisco CallManager|CMPProcMon - ----Exited Router Verification|
<CLID::ctrieu-sunpc-Cluster><NID::171.69.85.107>
01/08/2003 17:17:06.169 Cisco CallManager|CMPProcMon - -----Entered Router Verification|
<CLID::ctrieu-sunpc-Cluster><NID::171.69.85.107>
01/08/2003 17:17:06.169 Cisco CallManager|CMPProcMon - ----Exited Router Verification|
<CLID::ctrieu-sunpc-Cluster><NID::171.69.85.107>
01/08/2003 17:17:06.420 Cisco CallManager|MGCPHandler received msg from: 172.16.13.81
NTFY 11420 *@3660-4 MGCP 0.1
X: 0
O:
|<CLID::ctrieu-sunpc-Cluster><NID::171.69.85.107><CT::1,100,53,1.41828><IP::172.16.13.81>
<DEV::>
01/08/2003 17:17:06.420 Cisco CallManager|<CLID::ctrieu-sunpc-Cluster><NID::171.69.85.107>
<CT::1,100,53,1.41828><MN::MGCPEndPoint><MV::*@3660-4><DEV::>
01/08/2003 17:17:06.420 Cisco CallManager|MGCPHandler send msg SUCCESSFULLY to:
172.16.13.81
200 11420
|<CLID::ctrieu-sunpc-Cluster><NID::171.69.85.107><CT::1,100,53,1.41828><IP::172.16.13.81>
<DEV::>
01/08/2003 17:17:06.450 Cisco CallManager|MGCPManager remove recent Incoming transId
11418|<CLID::ctrieu-sunpc-Cluster><NID::171.69.85.107><CT::1,100,53,1.41824>
<IP::172.16.13.81><DEV::>
01/08/2003 17:17:07.742 Cisco CallManager|MGCPHandler received msg from: 172.16.13.169
NTFY 18361 *@VG200-2 MGCP 0.1
X: 0
O:
|<CLID::ctrieu-sunpc-Cluster><NID::171.69.85.107><CT::1,100,53,1.41829><IP::172.16.13.169>
<DEV::>
01/08/2003 17:17:07.742 Cisco CallManager|<CLID::ctrieu-sunpc-Cluster><NID::171.69.85.107>
<CT::1,100,53,1.41829><MN::MGCPEndPoint><MV::*@VG200-2><DEV::>
01/08/2003 17:17:07.742 Cisco CallManager|MGCPHandler send msg SUCCESSFULLY to:
172.16.13.169
200 18361
|<CLID::ctrieu-sunpc-Cluster><NID::171.69.85.107><CT::1,100,53,1.41829><IP::172.16.13.169>
<DEV::>
01/08/2003 17:17:07.752 Cisco CallManager|MGCPManager remove recent Incoming transId
18359|<CLID::ctrieu-sunpc-Cluster><NID::171.69.85.107><CT::1,100,53,1.41825>
<IP::172.16.13.169><DEV::>
01/08/2003 17:17:08.162 Cisco CallManager|CMPProcMon - -----Entered Router Verification|
<CLID::ctrieu-sunpc-Cluster><NID::171.69.85.107>
01/08/2003 17:17:08.162 Cisco CallManager|CMPProcMon - ----Exited Router Verification|
<CLID::ctrieu-sunpc-Cluster><NID::171.69.85.107>
01/08/2003 17:17:10.165 Cisco CallManager|CMPProcMon - -----Entered Router Verification|
<CLID::ctrieu-sunpc-Cluster><NID::171.69.85.107>
01/08/2003 17:17:10.165 Cisco CallManager|CMPProcMon - ----Exited Router Verification|
<CLID::ctrieu-sunpc-Cluster><NID::171.69.85.107>
01/08/2003 17:17:12.168 Cisco CallManager|CMPProcMon - -----Entered Router Verification|
<CLID::ctrieu-sunpc-Cluster><NID::171.69.85.107>
01/08/2003 17:17:12.168 Cisco CallManager|CMPProcMon - ----Exited Router Verification|
<CLID::ctrieu-sunpc-Cluster><NID::171.69.85.107>
```

=====
[来自失败呼叫的调试](#)

本部分提供了FXS语音端口外的电话执行的Hookflash错误示例。

基本呼叫流程如下：

1. IP电话A (DN为1000) 从语音端口1/0/0呼叫VG200电话C (DN为7000) 。
2. 电话C应答呼叫，然后在电话上使用闪存功能按钮执行挂机。
3. VG200无法将信号检测为Hookflash并丢弃呼叫。

这种故障的原因是，有些电话听筒有一个叫做“闪存”或“召回”的按钮，它发送定时环路中断或校准的闪存，这本质上是一个设置了精确定时值的Hookflash。在本例中，计时值超过了为语音端口定义的Hookflash输入默认时间值。因此，路由器将Hookflash视为挂机信令，并断开呼叫。

分辨率:在语音端口设置下发出timing hookflash-input milliseconds命令，以增加语音端口的hookflash-input值。但是，此操作有缺点。当FXS端口配置为长Hookflash输入定时值 (大于500毫秒的值) 时，用户可能发现，当他们挂断并立即拿起听筒时，呼叫尚未清除。在这种情况下，必须将听筒置于挂机状态更长的时间才能清除呼叫。如果该值设置得太低，挂机可能会被解释为挂机。某些情况下，支架跳动也可能导致问题。(当听筒挂起时，挂钩按钮上的弹簧张力会导致线路上出现多个短中断，称为支架弹回。) 有时需要仔细调整Hookflash输入定时值才能获得最佳结果。

以下是路由器上启用的调试列表，用于排除和调试路由器上的捕获日志文件。此处仅显示调试的相关输出。输出的其余部分与本文档的“从成功调用调试”部分中显示的输出相同。

注意：由于空间限制，此处的部分输出显示在多行上。

```
*Mar 6 00:01:35.733: htsp_process_event: [1/0/0, FXSLS_CONNECT,
E_DSP_SIG_0100]fxspls_offhook_onhook, HF duration=500
!--- The router detects the on-hook signal from FXS voice port 1/0/0. *Mar 6 00:01:35.737:
htsp_timer - 500 msec
*Mar 6 00:01:36.237: htsp_process_event: [1/0/0, FXSLS_CONNECT, E_HTSP_EVENT_TIMER]
fxspls_connect_wait_release_req
*Mar 6 00:01:36.237: htsp_timer_stop
!--- Notice that the hookflash-input timer (500 msec) has expired, and the router !--- still
has not seen the off-hook signal, so the call is disconnected. *Mar 6 00:01:36.237:
send_mgcp_msg, MGCP Packet sent --->
NTFY 29083 AALN/S1/SU0/0@VG200-2 MGCP 0.1
!--- The router notifies Cisco CallManager of this on-hook event detection. X: f1 O: L/hu !---
"O: L/hu" indicates that an on-hook event is observed. <--- *Mar 6 00:01:36.241: MGCP Packet
received -
200 29083
!--- Cisco CallManager responds back with "200 OK". *Mar 6 00:01:36.249: MGCP Packet received -
DLCX 911 AALN/S1/SU0/0@VG200-2 MGCP 0.1
!--- The router has received a delete connection !--- from Cisco CallManager to clear the call.
C: A00000000100025b I: 54 X: f2 R: L/hd !--- "R: L/hu" is the Cisco CallManager request to be
notified if !--- the router detects off-hook status. S: Q: process,loop *Mar 6 00:01:36.253:
dsp_get_levels: [1/0/0 (229)] packet_len=8 channel_id=1 packet_id=89 *Mar 6 00:01:36.253:
vtsp_process_dsp_message: MSG_TX_GET_TX_STAT: rtp_timestamp=0x314A987A *Mar 6 00:01:36.253:
dsp_idle_mode: [1/0/0 (229)] packet_len=8 channel_id=1 packet_id=68 *Mar 6 00:01:36.257:
htsp_process_event: [1/0/0, FXSLS_WAIT_RELEASE_REQ,
E_HTSP_RELEASE_REQ]fxspls_waitrls_req_rls
*Mar 6 00:01:36.257: [1/0/0] set signal state = 0x4 timestamp = 0htsp_report_onhook_sig
*Mar 6 00:01:36.257: dsp_cp_tone_off: [1/0/0 (229)] packet_len=8 channel_id=1 packet_id=
71
*Mar 6 00:01:36.257: dsp_idle_mode: [1/0/0 (229)] packet_len=8 channel_id=1 packet_id=68
*Mar 6 00:01:36.257: dsp_close_voice_channel: [1/0/0 (229)] packet_len=8 channel_id=1
packet_id=75
*Mar 6 00:01:36.261: send_mgcp_msg, MGCP Packet sent --->
250 911 OK
```

!--- The router sends a "250 OK" back !--- to Cisco CallManager to indicate the connection is deleted. P: PS=491, OS=78560, PR=489, OR=78240, PL=0, JI=272, LA=0 <--- *Mar 6 00:01:36.353:

htsp_process_event: [1/0/0, FXSLS_ONHOOK, E_DSP_SIG_1100]

fxspls_onhook_offhook htsp_setup_ind

!--- Here is the other half of the hookflash signal, but it is too late. !--- The router interprets this as a regular off-hook event and plays the dial tone. !--- Notice the time between the on-hook and off-hook events !--- (00:01:36.353 - 00:01:35.733 = 620 msec), which exceeds the 500 msec default value. *Mar 6 00:01:36.357: [1/0/0] get_local_station_id calling num= calling name= calling time=00/00 00:00 *Mar 6 00:01:36.361: dsp_close_voice_channel: [1/0/0:231] packet_len=8 channel_id=1 packet_id=75 *Mar 6 00:01:36.361: dsp_open_voice_channel_20: [1/0/0:231] packet_len=16 channel_id=1 packet_id=74 alaw_ulaw_select=0 associated_signaling_channel=0 time_slot=65535 serial_port=65535 *Mar 6 00:01:36.361: dsp_encap_config: [1/0/0:231] packet_len=30 channel_id=1 packet_id= 92 TransportProtocol 2 t_ssrc=0x0 r_ssrc=0x0 t_vpxcc=0x0 r_vpxcc=0x0 sid_support=1, tse_payload=65535, seq_num=0x17EF, redundancy=0 *Mar 6 00:01:36.361: dsp_set_playout_delay *Mar 6 00:01:36.361: dsp_set_playout: [1/0/0:231] packet_len=18 channel_id=1 packet_id=76 mode=1 initial=60 min=40 max=200 fax_nom=300 *Mar 6 00:01:36.361: dsp_set_playout_config: [1/0/0:231] packet_len=18 channel_id=1 packet_id=76 mode=1 initial=60 min=40 max=200 fax_nom=300 *Mar 6 00:01:36.361: dsp_echo_canceler_control: echo_cancel: 1 *Mar 6 00:01:36.365: dsp_echo_canceler_control: [1/0/0:231] echo_cancel 1, disable_hpf 0, flags=0x0, threshold=-21 *Mar 6 00:01:36.365: dsp_echo_canceler_control: [1/0/0:231] packet_len=14 channel_id=1 packet_id=66 flags=0x0, threshold=-21, suppressor_coverage=7 *Mar 6 00:01:36.365: dsp_idle_code_det: [1/0/0:231] packet_len=14 channel_id=1 packet_id= 116 enable=0, code=0, duration=6000 *Mar 6 00:01:36.365: set_gains: FXx/E&M: msg->message.set_codec_gains.out_gain=65506 *Mar 6 00:01:36.365: dsp_set_gains: [1/0/0:231] packet_len=12 channel_id=1 packet_id=91 in_gain=0 out_gain=65506 *Mar 6 00:01:36.365: dsp_vad_enable: [1/0/0:231] enable: packet_len=16 channel_id=1 packet_id=78 thresh=-38 vadtime=250 aggressive=0 *Mar 6 00:01:36.369: send_mgcp_msg, **MGCP Packet sent --->**

NTFY 29084 AALN/S1/SU0/0@VG200-2 MGCP 0.1

!--- The router notifies Cisco CallManager of the off-hook event. X: f2 0: L/hd <--- *Mar 6 00:01:36.369: dsp_encap_config: [1/0/0:231] packet_len=30 channel_id=1 packet_id= 92 TransportProtocol 2 t_ssrc=0x0 r_ssrc=0x0 t_vpxcc=0x0 r_vpxcc=0x0 sid_support=1, tse_payload=65535, seq_num=0x17EF, redundancy=0 *Mar 6 00:01:36.369: dsp_voice_mode: [1/0/0:231] cdb 8127AD60, cdb->codec_params.modem 2, inband_detect flags 0x21 *Mar 6 00:01:36.373: map_dtmf_relay_type--digit relay mode: 2 *Mar 6 00:01:36.373: dsp_voice_mode: [1/0/0:231] packet_len=24 channel_id=1 packet_id=73 coding_type=1 voice_field_size=160 VAD_flag=0 echo_length=64 comfort_noise=1 inband_detect=33 digit_relay_mode=2 AGC_flag=0dsp_dtmf_mode(VTSP_TONE_DTMF_MODE) *Mar 6 00:01:36.373: dsp_dtmf_mode: [1/0/0:231] packet_len=10 channel_id=1 packet_id=65 dtmf_or_mf=0 *Mar 6 00:01:36.373: htsp_process_event: [1/0/0, FXSLS_WAIT_SETUP_ACK, E_HTSP_SETUP_ACK] *Mar 6 00:01:36.373: htsp_process_event: [1/0/0, FXSLS_OFFHOOK, E_HTSP_CONNECT] fxspls_offhook_connect *Mar 6 00:01:36.373: [1/0/0] set signal state = 0x6 timestamp = 0 *Mar 6 00:01:36.377: **MGCP Packet received -**

200 29084

!--- The router receives the "200 OK" acknowledgement from Cisco CallManager. *Mar 6 00:01:36.389: **MGCP Packet received -**

RQNT 912 AALN/S1/SU0/0@VG200-2 MGCP 0.1

!--- The router receives request notification to look for an on-hook event !--- and DTMF digits, and to play the dial tone. X: f3 R: L/lu, D/[0-9ABCD*#] !--- "R: L/lu, D/[0-9ABCD*#]" is the Cisco CallManager request to be notified !--- when the router line packet detects an on-hook event and any DTMF tones or digits. S: L/dl !--- "S: L/dl" indicates that Cisco CallManager sends !--- a signal generation request to the router to play the dial tone. Q: process,loop *Mar 6 00:01:36.393: dsp_idle_mode: [1/0/0:231] packet_len=8 channel_id=1 packet_id=68 *Mar 6 00:01:36.393: dsp_voice_mode: [1/0/0:231] cdb 8127AD60, cdb->codec_params.modem 2, inband_detect flags 0x421 *Mar 6 00:01:36.393: map_dtmf_relay_type--digit relay mode: 2 *Mar 6 00:01:36.393: dsp_voice_mode: [1/0/0:231] packet_len=24 channel_id=1 packet_id=73 coding_type=1 voice_field_size=160 VAD_flag=0 echo_length=64 comfort_noise=1 inband_detect=1057 digit_relay_mode=2 AGC_flag=0 *Mar 6 00:01:36.397: htsp_process_event: [1/0/0, FXSLS_CONNECT, E_HTSP_VOICE_CUT_THROUGH] *Mar 6 00:01:36.397: send_mgcp_msg, **MGCP Packet sent --->**

200 912 OK

!--- The router sends a "200 OK" to acknowledge the request !--- notification sequence number 912. <--- *Mar 6 00:01:36.397: dsp_cp_tone_off: [1/0/0:231] packet_len=8 channel_id=1 packet_id=71 *Mar 6 00:01:36.397: **act_gen_tone: Tone Dial generated in direction Network, stop_tone_on_digit = TRUE**

!--- The router plays the dial tone to the user off FXS voice port 1/0/0. *Mar 6 00:01:36.397:

```

dsp_cp_tone_on: [1/0/0:231] packet_len=38 channel_id=1 packet_id=72 tone_id=4 n_freq=2
freq_of_first=350 freq_of_second=440 amp_of_first=6942 amp_of_second= 6942 direction=1
on_time_first=65535 off_time_first=0 on_time_second=0 off_time_second=0 VG200-2# *Mar 6
00:01:41.413: htsp_process_event: [1/0/0, FXSLS_CONNECT, E_DSP_SIG_0100]
fxspls_offhook_onhook, HF duration=500
!--- The router detects an on-hook event. *Mar 6 00:01:41.417: htsp_timer - 500 msec
*Mar 6 00:01:41.917: htsp_process_event: [1/0/0, FXSLS_CONNECT, E_HTSP_EVENT_TIMER]
fxspls_connect_wait_release_req
*Mar 6 00:01:41.917: htsp_timer_stop
*Mar 6 00:01:41.917: dsp_cp_tone_off: [1/0/0:231] packet_len=8 channel_id=1 packet_id=71
*Mar 6 00:01:41.917: act_gen_tone: Tone Busy generated in direction Network,
stop_tone_on_digit = FALSE
*Mar 6 00:01:41.921: dsp_cp_tone_off: [1/0/0:231] packet_len=8 channel_id=1 packet_id=71
*Mar 6 00:01:41.921: dsp_idle_mode: [1/0/0:231] packet_len=8 channel_id=1 packet_id=68
*Mar 6 00:01:41.921: htsp_process_event: [1/0/0, FXSLS_WAIT_RELEASE_REQ,
E_HTSP_RELEASE_REQ]fxspls_waitrls_req_rls
!--- The router releases the call and clears the voice port. *Mar 6 00:01:41.921: [1/0/0] set
signal state = 0x4 timestamp = 0htsp_report_onhook_sig *Mar 6 00:01:41.921: dsp_cp_tone_off:
[1/0/0:231] packet_len=8 channel_id=1 packet_id=71 *Mar 6 00:01:41.925: dsp_idle_mode:
[1/0/0:231] packet_len=8 channel_id=1 packet_id=68 *Mar 6 00:01:41.925:
dsp_close_voice_channel: [1/0/0:231] packet_len=8 channel_id=1 packet_id=75 *Mar 6
00:01:41.929: send_mgcp_msg, MGCP Packet sent --->
NTFY 29085 AALN/S1/SU0/0@VG200-2 MGCP 0.1
!--- The router sends the notify message to Cisco CallManager !---regarding the on-hook event.
X: f3 O: L/hu <--- *Mar 6 00:01:41.933: MGCP Packet received -
200 29085
!--- The router receives the "200 OK" acknowledgement. *Mar 6 00:01:41.941: MGCP Packet
received -
RQNT 913 AALN/S1/SU0/0@VG200-2 MGCP 0.1
!--- The router receives request notification from Cisco CallManager !--- to reset and watch for
an off-hook event. X: f4 R: L/hd S: Q: process,loop *Mar 6 00:01:41.945:
send_mgcp_msg, MGCP Packet sent --->
200 913 OK
!--- The router sends back a "200 OK" to acknowledge it. <--- VG200-2# VG200-2# *Mar 6
00:01:56.945: send_mgcp_msg, MGCP Packet sent --->
NTFY 29086 *@VG200-2 MGCP 0.1
!--- This is the MGCP keepalive from the router to Cisco CallManager. X: 0 O: <--- *Mar 6
00:01:56.949: MGCP Packet received -
200 29086
!--- Cisco CallManager acknowledges the keepalive.

```

FXS语音端口上增加的Hookflash-Input计时器示例

本部分显示通过VG200配置在FXS语音端口上增加Hookflash输入计时器的效果。

```

VG200-2# configure terminal
Enter configuration commands, one per line. End with CNTL/Z.
VG200-2(config)#voice-port 1/0/0
VG200-2(config-voiceport)#timing hookflash-in ?
<50-1550> milliseconds

VG200-2(config-voiceport)#timing hookflash-in 1000
VG200-2(config-voiceport)#
VG200-2# show debug
MGCP:
Media Gateway Control Protocol packets debugging is on
Voice Telephony dsp debugging is on
Voice Telephony tone generation debugging is on
Voice Port Module signaling debugging is on
VG200-2# terminal monitor

```


此部分仅显示所发出调试的相关输出。输出从按下电话上的闪存按钮时开始。

注意：由于空间限制，此处的部分输出显示在多行上。

VG200-2#

*Mar 6 02:34:40.560: vtsp_process_dsp_message: MSG_TX_GET_TX_STAT: rtp_timestamp=0x534008E4

*Mar 6 02:34:41.288: htsp_process_event: [1/0/0, FXSLS_CONNECT, E_DSP_SIG_0100] fxsls_offhook_onhook, HF duration=1000

*Mar 6 02:34:41.292: htsp_timer - 1000 msec

*Mar 6 02:34:41.908: htsp_process_event: [1/0/0, FXSLS_CONNECT, E_DSP_SIG_1100] fxsls_offhook_offhook

*Mar 6 02:34:41.912: htsp_timer_stop

!--- Notice that the router sees the on-hook and off-hook message, and that !--- the time between the two signals is 620 msec (02:34:41.908 - 02:34:41.288 = !--- 620 msec). This value is within the 1-sec (1000-msec) hookflash-input timer !--- defined under FXS voice port 1/0/0.

*Mar 6 02:34:41.912: send_mgcp_msg, MGCP Packet sent --->

NTFY 29703 AALN/S1/SU0/0@VG200-2 MGCP 0.1

*!--- The router sends the notify message to inform Cisco CallManager of the !--- hookflash event. X: 100 O: L/hf <--- *Mar 6 02:34:41.916: MGCP Packet received -*

200 29703

!--- Cisco CallManager sends back "200 OK" to acknowledge it.

[相关信息](#)

- [配置 Cisco IOS MGCP 网关](#)
- [在Cisco CallManager服务器上配置MGCP网关和FXO/FXS端口](#)
- [语音技术支持](#)
- [语音和统一通信产品支持](#)
- [Cisco IP 电话故障排除](#)
- [技术支持和文档 - Cisco Systems](#)