

Configurazione di ISE 2.3 Facebook Social Media per Portali Guest

Sommario

[Introduzione](#)

[Prerequisiti](#)

[Requisiti](#)

[Componenti usati](#)

[Esempio di rete](#)

[Configurazione](#)

[1. Configurare l'app Facebook](#)

[2. Integra ISE con l'app Facebook](#)

[3. Configurare i criteri di autenticazione e autorizzazione](#)

[Verifica](#)

[Risoluzione dei problemi](#)

[Debug su ISE](#)

Introduzione

In questo documento viene descritto come configurare l'integrazione di Cisco Identity Services Engine (ISE) 2.3 con le credenziali di Facebook per l'accesso guest autenticato.

Prerequisiti

Requisiti

Cisco raccomanda la conoscenza dei seguenti argomenti:

- Configurazione Identity Services Engine (ISE)
- Configurazione di base dell'app Facebook

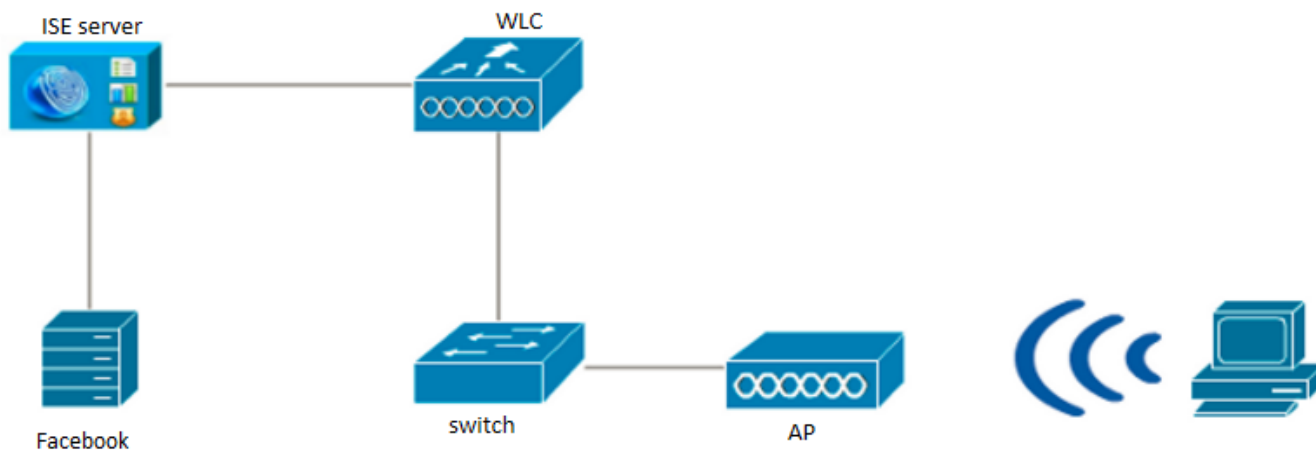
Componenti usati

Le informazioni fornite in questo documento si basano sulle seguenti versioni software e hardware:

- Cisco ISE versione 2.3
- Accesso social a Facebook
- Cisco Wireless LAN Controller (WLC) versione 8.3.102.0

Le informazioni discusse in questo documento fanno riferimento a dispositivi usati in uno specifico ambiente di emulazione. Su tutti i dispositivi menzionati nel documento la configurazione è stata ripristinata ai valori predefiniti. Se la rete è operativa, valutare attentamente eventuali conseguenze derivanti dall'uso dei comandi.

Esempio di rete



Configurazione

La configurazione dell'app Facebook presentata è un esempio e non è una configurazione consigliata da Cisco.

1. Configurare l'app Facebook

Visitare il sito Web all'indirizzo <https://developers.facebook.com> e registrare la nuova app.

The screenshot shows the 'facebook for developers' website. The navigation bar includes 'Products', 'Docs', 'Tools & Support', 'News', and 'Videos'. A search bar and a 'Get Started' button are also visible. A modal window is open with the following content:

- Progress indicator: 1 Register (checked), 2 First App, 3 Tell Us About You
- Header: Welcome to Facebook for Developers
- Sub-header: Lets get started with your first app
- Form fields:
 - APP NAME: ISEApp (with a note: You can change the name now or later)
 - CONTACT EMAIL: [redacted]@gmail.com (with a note: Used for important updates about your app)
- Next button


Il dashboard dell'applicazione mostra l'**ID app** e la chiave **App Secret**, che verranno utilizzati su ISE per creare l'accesso Social esterno.

Secure | https://developers.facebook.com/apps/62096[redacted]/dashboard/

ISEApp | APP ID: 62096[redacted] | View Analytics | Tools & Support | Docs

Dashboard


Click to see analytics for this app. X

ISEApp 

This app is in development mode and can only be used by app admins, developers and testers [?]

API Version [?] v2.10 | App ID 62096[redacted]

App Secret [redacted] [Show](#)

 **Get Started with the Facebook SDK** [Choose Platform](#)

Use our quick start guides to set up the Facebook SDK for your iOS or Android app, Facebook Web Game or website.

Rendi pubblica l'app creata.

Secure | https://developers.facebook.com/apps/62096[redacted]/review-status/

ISEApp | APP ID: 62096[redacted] | View Analytics | Tools & Support | Docs

Dashboard

Settings

Roles

Alerts

App Review

PRODUCTS

+ Add Product

Make ISEApp public?

Yes Your app is currently **live** and available to the public.

Submit Items for Approval

Some Facebook integrations require approval before public usage. Before submitting your app for review, please consult our [Platform Policy and Review Guidelines](#). [Start a Submission](#)

Approved Items [?]

LOGIN PERMISSIONS

2. Integra ISE con l'app Facebook

Per integrare l'app Facebook con Cisco ISE, usare le informazioni riportate di seguito.

Passare a **Amministrazione > Gestione delle identità > Origini identità esterne > Accesso social e aggiungere un nuovo punto vendita.**

External Identity Sources

- Certificate Authentication Profile
- Active Directory
 - AD
- LDAP
- ODBC
- RADIUS Token
- RSA SecurID
- SAML Id Providers
- Social Login

Social Login > New

Social Login

Name * FacebookApp

Description

Type * Facebook

App ID * 62096

App Secret * Show

Cancel Submit

Configurare ISE Guest Portal per consentire l'accesso al social network.

Identity Services Engine Home Context Visibility Operations Policy Administration Work Centers License Warning

Network Access Guest Access TrustSec BYOD Profiler Posture Device Administration PassiveID

Overview Identities Identity Groups Ext Id Sources Administration Network Devices Portals & Components Manage Accounts Policy Elements Policy Sets Reports Custom Portal Files

Guest Portals

Guest Types Sponsor Groups Sponsor Portals

Portals Settings and Customization

Portal Name: * Self-Registered Guest Portal (default) Description: Guests are allowed to create their own accounts and access the network us Portal test URL

Save Close

Language File

Portal Behavior and Flow Settings

Use these settings to specify the guest experience for this portal.

Portal Page Customization

Customize portal pages by applying a theme and specifying field names and messages displayed to users.

Portal & Page Settings

Guest Flow (Based on settings)

Portal Settings

Login Page Settings

Require an access code:

Maximum failed login attempts before rate limiting: (1 - 999)

Time between login attempts when rate limiting: minutes (1 - 3000)

Include an AUP as link

Require acceptance

Allow guests to create their own accounts

Allow social login

- +

Show Registration form after social login (i)

Allow guests to change password after login (i)

Allow the following identity-provider guest portal to be used for login (i)

There are no guest portals configured to use a SAML Id Provider as the Authentication Method.

Registration Form Settings

Assign to guest type:

Configure guest types at:
Work Centers > Guest Access > Configure > Guest Types

Account valid for: Days Maximum: 5 DAYS

Require a registration code:

Fields to include	Required
<input checked="" type="checkbox"/> User name (i)	<input type="checkbox"/>
<input checked="" type="checkbox"/> First name	<input type="checkbox"/>
<input checked="" type="checkbox"/> Last name	<input type="checkbox"/>
<input checked="" type="checkbox"/> Email address	<input checked="" type="checkbox"/>

Dopo aver configurato ISE Guest Portal per consentire il social login, il social login verrà popolato con URL e deve essere aggiunto alle impostazioni dell'app Facebook, **URL di reindirizzamento OAuth validi.**

The screenshot shows the Cisco Identity Services Engine (ISE) configuration interface. The top navigation bar includes 'Identity Services Engine' and various menu items like 'Home', 'Context Visibility', 'Operations', 'Policy', 'Administration', and 'Work Centers'. Below this, a secondary navigation bar lists 'System', 'Identity Management', 'Network Resources', 'Device Portal Management', 'pxGrid Services', 'Feed Service', and 'Threat Centric NAC'. A third navigation bar shows 'Identities', 'Groups', 'External Identity Sources', 'Identity Source Sequences', and 'Settings'. The 'External Identity Sources' section is active, showing a tree view with categories like 'Certificate Authentication Profile', 'Active Directory', 'Social Login', etc. The 'Social Login' category is expanded, and the configuration page for 'FacebookApp' is displayed. The page title is 'Social Login > FacebookApp'. The main content area is titled 'Social Login' and contains the following fields and controls:

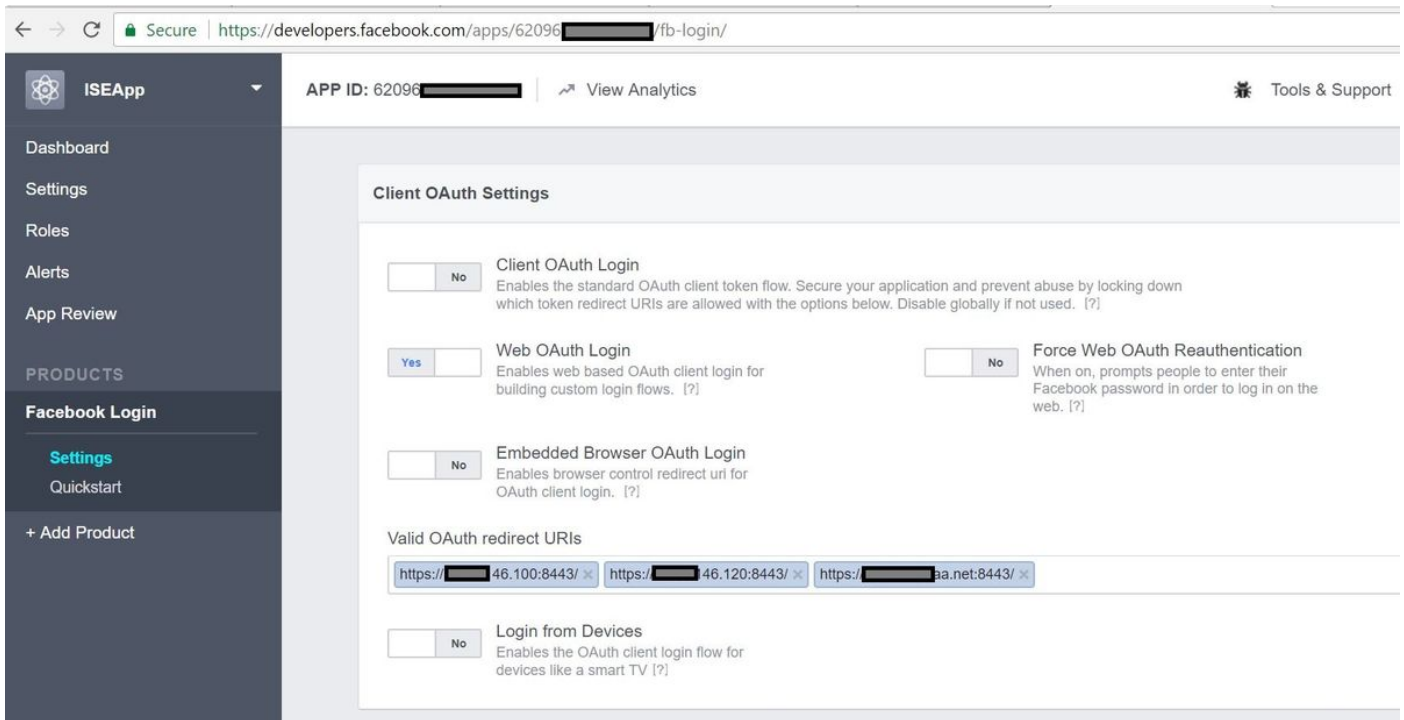
- Name ***: FacebookApp
- Description**: (Empty text box)
- Type ***: Facebook (Dropdown menu)
- App ID ***: 62098 [Redacted]
- App Secret ***: [Redacted] (with a 'Show' button to toggle visibility)
- Cancel** and **Save** buttons
- Portal**: Self-Registered Guest Portal (default) (Dropdown menu)

Below the form, there is an information icon and a message: 'Add all these automated redirect URLs to the App settings.' Below this message is a text box containing the following URLs:

```
https://[Redacted]:100:8443
https://[Redacted]:120:8443
https://[Redacted].a.net:8443
```

Aggiungi **Facebook Login** da Products e aggiungi **URL di reindirizzamento OAuth** validi.

Gli URL verranno generati automaticamente su ISE dopo aver associato correttamente il portale ISE con l'accesso social esterno a Facebook.

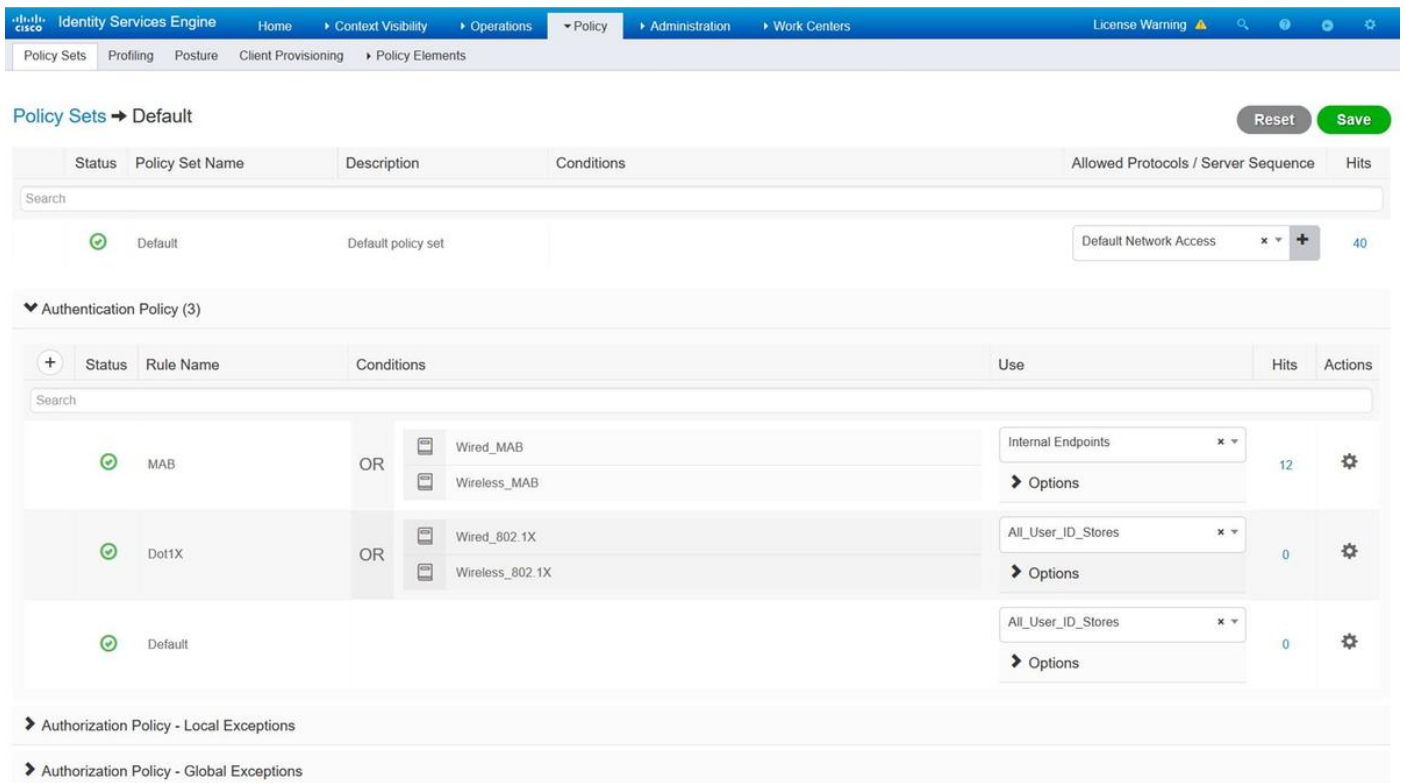


3. Configurare i criteri di autenticazione e autorizzazione

La configurazione ISE segue le stesse procedure di configurazione del sistema CWA (Central Web Authentication) del guest.

(Per la configurazione su ISE CWA, consultare il documento riportato di seguito:

<https://www.cisco.com/c/en/us/support/docs/security/identity-services-engine/115732-central-web-auth-00.html>)



Identity Services Engine Home Context Visibility Operations Policy Administration Work Centers License Warning

Policy Sets Profiling Posture Client Provisioning Policy Elements

Search

Default All_User_ID_Stores 0 Options

Authorization Policy - Local Exceptions

Authorization Policy - Global Exceptions

Authorization Policy (12)

Status	Rule Name	Conditions	Profiles	Security Groups	Hits	Actions
Wi-Fi_Guest_Access	AND	Guest_Flow Wireless_MAB	PermitAccess	Guests	5	
Wi-Fi_Redirect_to_Guest_Login		Wireless_MAB	Cisco_WebAuth_Wireless	Select from list	12	

Verificare che l'intervallo di indirizzi IP di Facebook (31.13.0.0/16) sia escluso dall'ACL di reindirizzamento WLC

MONITOR WLANs CONTROLLER WIRELESS SECURITY MANAGEMENT COMMANDS HELP FEEDBACK Save Configuration Ping

Security

AAA
General
RADIUS
Authentication
Accounting
Fallback
DNS
Downloaded AVP
TACACS+
LDAP
Local Net Users
MAC Filtering
Disabled Clients
User Login Policies
AP Policies
Password Policies
Local EAP
Advanced EAP
Priority Order
Certificate
Access Control Lists
Access Control Lists
CPU Access Control Lists
FlexConnect ACLs
Layer2 ACLs
Wireless Protection Policies
Web Auth
TrustSec SXP
Local Policies
Advanced

Access Control Lists > Edit

General

Access List Name Redirect-ACL

Deny Counters 0

Seq	Action	Source IP/Mask	Destination IP/Mask	Protocol	Source Port	Dest Port	DSCP	Direction	Number of Hits
1	Permit	0.0.0.0 / 0.0.0.0	0.0.0.0 / 0.0.0.0	UDP	Any	Any	Any	Any	2391
2	Permit	0.0.0.0 / 0.0.0.0	0.0.0.0 / 0.0.0.0	ICMP	Any	Any	Any	Any	161
3	Permit	0.0.0.0 / 0.0.0.0	0.0.0.0 / 255.255.0.0	Any	Any	Any	Any	Any	1360
4	Permit	0.0.0.0 / 255.255.0.0	0.0.0.0 / 0.0.0.0	Any	Any	Any	Any	Any	1884
5	Permit	0.0.0.0 / 0.0.0.0	31.13.0.0 / 255.255.0.0	Any	Any	Any	Any	Any	708
6	Permit	31.13.0.0 / 255.255.0.0	0.0.0.0 / 0.0.0.0	Any	Any	Any	Any	Any	844
7	Deny	0.0.0.0 / 0.0.0.0	0.0.0.0 / 0.0.0.0	Any	Any	Any	Any	Any	7424

Verifica

Una volta reindirizzato l'utente guest, viene visualizzata l'opzione Accedi con Facebook.



Welcome

Welcome to the Guest Portal. Sign on with the username and password provided to you.

Username:

Password:

[Please read the terms and conditions.](#)

I agree to the terms and conditions

Sign On

OR

 Log in With Facebook

[Don't have an account?](#)

Questo pulsante sfrutta l'applicazione appena creata e reindirizza alla pagina di accesso a Facebook in cui l'utente immetterà le credenziali di Facebook.

facebook

Sign Up

Log into Facebook

Log In

or

Create New Account

[Forgot account?](#)

[Not now](#)

Una volta completata l'autenticazione, l'utente guest si reindirizza nuovamente al portale ISE.



Welcome Message

Click **Continue** to connect to the network.
You're very close to gaining network access.

Continue

Live log ISE Radius:

Identity Services Engine | Home | Context Visibility | Operations | Policy | Administration | Work Centers | License Warning

RADIUS | Threat-Centric NAC Live Logs | TACACS | Troubleshoot | Adaptive Network Control | Reports

Live Logs | Live Sessions

Misconfigured Supplicants
0

Misconfigured Network Devices
0

RADIUS Drops
0

Client Stopped Responding
0

Repeat Counter
0

Refresh | Every 1 minute | Show | Latest 100 records | Within | Last 24 hours

Refresh | Reset Repeat Counts | Export To | Filter

Time	Status	Details	Repeat ...	Identity	Endpoint ID	Posture St...	Endpoint Profile	Authenticat...	Authorization Policy
Aug 21, 2017 10:04:06.404 AM			0	Ulugbek Yusubaliev	E4.A4.71.85.FB.6A		Windows10-Workstation	Default	Default >> Wi-Fi_GuestT_Ac
Aug 21, 2017 10:04:06.397 AM				Ulugbek Yusubaliev	E4.A4.71.85.FB.6A		Windows10-Workstation	Default	Default >> Wi-Fi_GuestT_Ac
Aug 21, 2017 10:04:06.385 AM					E4.A4.71.85.FB.6A				
Aug 21, 2017 10:04:05.766 AM				Ulugbek Yusubaliev	E4.A4.71.85.FB.6A				
Aug 21, 2017 10:01:07.080 AM				E4.A4.71.85.FB.6A	E4.A4.71.85.FB.6A		Intel-Device	Default >> M...	Default >> Wi-Fi_Redirect_
Aug 21, 2017 09:59:59.321 AM				E4.A4.71.85.FB.6A	E4.A4.71.85.FB.6A		Intel-Device	Default >> M...	Default >> Wi-Fi_Redirect_
Aug 21, 2017 09:59:59.302 AM					E4.A4.71.85.FB.6A				
Aug 21, 2017 09:59:49.261 AM				E4.A4.71.85.FB.6A	E4.A4.71.85.FB.6A			Default >> M...	Default >> Wi-Fi_Redirect_

Overview

Event	5236 Authorize-Only succeeded
Username	Ulugbek Yusubaliev
Endpoint Id	E4:A4:71:85:FB:6A ⓘ
Endpoint Profile	Windows10-Workstation
Authentication Policy	Default
Authorization Policy	Default >> Wi-Fi_Guest_Access
Authorization Result	Guests_PermitAccess

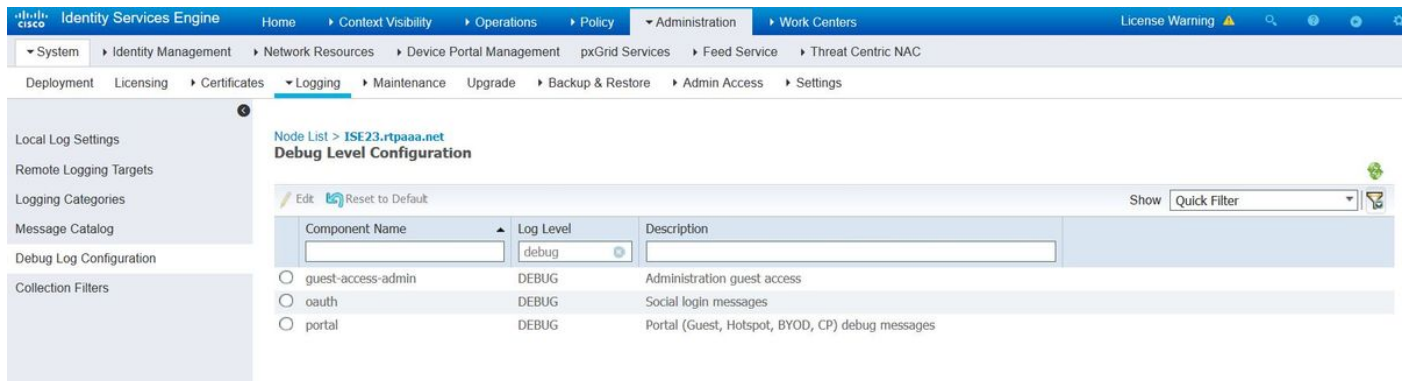
Authentication Details

Source Timestamp	2017-08-21 10:04:06.395
Received Timestamp	2017-08-21 10:04:06.397
Policy Server	ISE23
Event	5236 Authorize-Only succeeded
Username	Ulugbek Yusubaliev
User Type	GuestUser
Endpoint Id	E4:A4:71:85:FB:6A
Calling Station Id	e4-a4-71-85-fb-6a
Endpoint Profile	Windows10-Workstation
Authentication Identity Store	<u>FacebookApp</u>
Identity Group	GuestEndpoints
Audit Session Id	0e249a0500000007599af5b2
Authentication Method	Authorize Only
Service Type	Authorize Only
Network Device	WLC

Risoluzione dei problemi

Debug su ISE

Per abilitare i debug su ISE, selezionare **Amministrazione > Sistema > Registrazione > Configurazione log di debug**, selezionare il nodo PSN e modificare il livello di log dei seguenti componenti in **DEBUG**:



The screenshot shows the Cisco Identity Services Engine (ISE) web interface. The navigation path is: Administration > Work Centers > Logging > Maintenance > Upgrade > Backup & Restore > Admin Access > Settings. The page title is "Node List > ISE23.rtpaaa.net Debug Level Configuration". The page contains a table with the following data:

Component Name	Log Level	Description
<input type="radio"/> guest-access-admin	DEBUG	Administration guest access
<input type="radio"/> oauth	DEBUG	Social login messages
<input type="radio"/> portal	DEBUG	Portal (Guest, Hotspot, BYOD, CP) debug messages

Log da controllare: `ise-psc.log` e `guest.log`. È possibile archivarli direttamente dalla CLI di ISE:

```
ise23-1/admin# show logging application ise-psc.log tail
```

Durante la connessione all'app Facebook, ISE mostra un errore di timeout della connessione:

```
2017-08-21 08:28:18,003 DEBUG [admin-http-pool22][] com.cisco.cpm.oauth.OAuthClient -:::- Got error while checking OAuth settings for AppId: [123456789] and secret key: ****
2017-08-21 08:28:18,003 ERROR [admin-http-pool22][]
admin.restui.features.social.SocialLoginUIApi -:::- ERROR
connect timed out
```

Verificare che il nodo ISE disponga di una connessione Internet diretta.

Uso del proxy sul bug [CSCve87511](#) "Supporto accesso social con server proxy"