



The bridge to possible

UCS X-Series M6 X-Direct Xccelerate Offer Ordering Guide

Introduction

Cisco UCS X-Series Direct transforms the Cisco UCS X-Series Modular System into a self-contained system with pair of internal Cisco UCS Fabric Interconnects 9108 100G that integrate each of up to eight server nodes with Cisco unified fabric connectivity, upstream IP and Fibre Channel connectivity, all managed through Cisco Intersight or the time-proven Cisco UCS Manager.

The Cisco UCS X-Series Direct is designed to shift your thinking from administrative details to business outcomes-with infrastructure that is assembled from the cloud, shaped to your workloads, and continuously optimized. Now that hardware can think and change like software, you are free to think like tomorrow. This brings about immense simplification to edge applications:

- **Simplify with cloud-operated infrastructure:** By shaping system resources to workload requirements with Cisco Intersight, you can deliver intelligent visualization, optimization, and orchestration to all your applications and infrastructure.
- **Simplify with an adaptable platform:** Edge applications have widely varying requirements. At the edge, you can use a single platform that combines the density and efficiency of blade servers with the expandability of rack servers for better performance, automation, and efficiency.
- **Simplify with a system engineered for the future:** Embrace emerging technology and reduce risk with a modular system engineered to support future generations of processor, accelerator, and interconnects with management enabled by a constant stream of new capabilities delivered as Software-as-a-Service (SaaS).

Purpose, Audience, and Scope

Purpose

This document describes how to order the UCS X-Series M6 X-Direct Xccelerate Offer.

Scope

This ordering guide describes the information for:

- Ordering Structure of Cisco UCS X-Series M6 X-Direct Xccelerate Offer
- Catalog of Product IDs
- Ordering Server Hardware and Software options
- Links to additional resources

Audience

Buy Method Through Cisco (Eg: Direct Customer & Tier 1 Partners):

- Scenario 1: Customer Without Enterprise Agreement for Cisco Intersight Software License
- Scenario 2: Customer With Enterprise Agreement for Cisco Intersight Software License

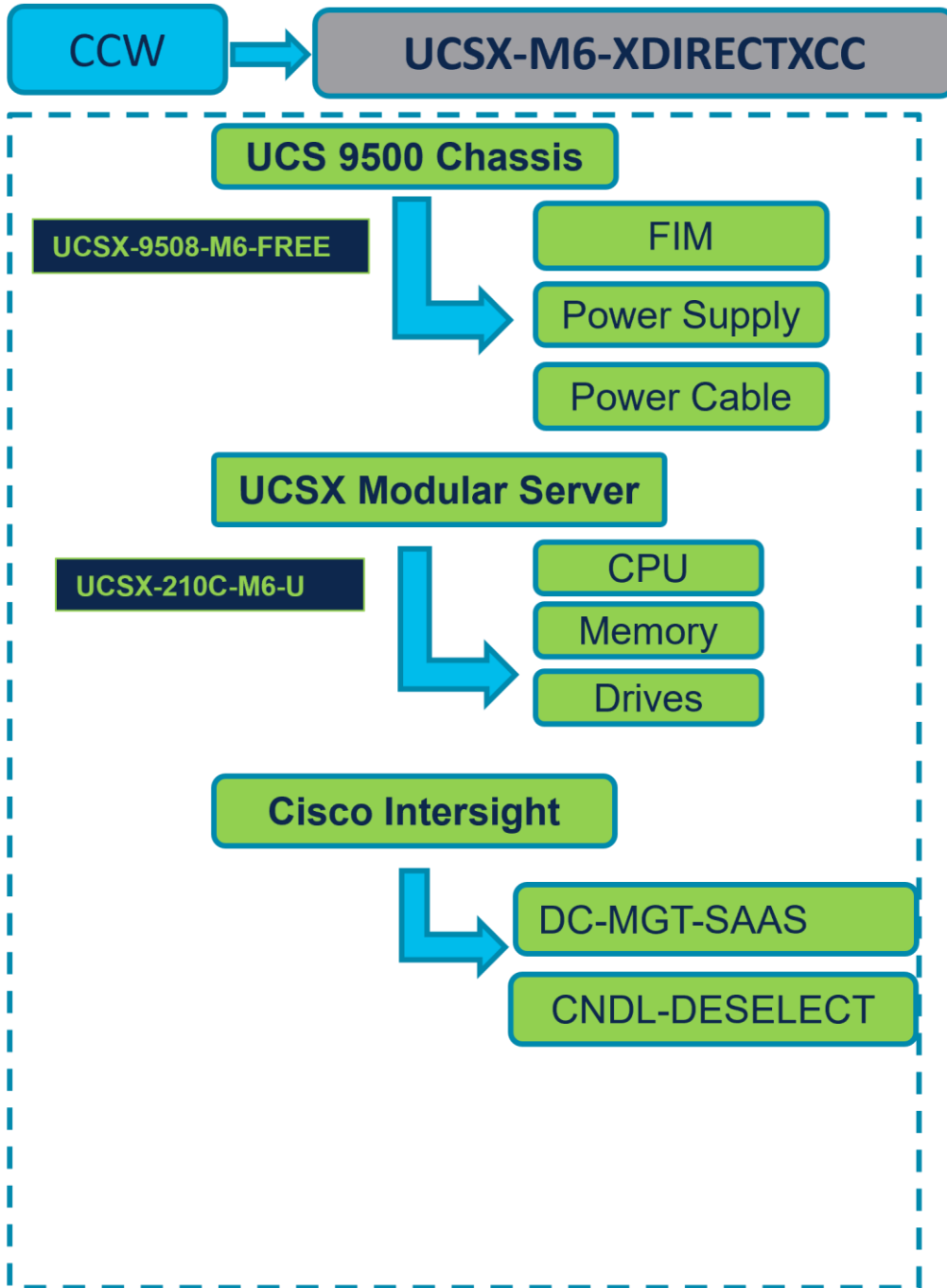
Buy Method Through Distributor (Eg: Tier 1 & Tier 2 Partners):

- Scenario 1: Customer Without Enterprise Agreement for Cisco Intersight Software License
- Scenario 2: Customer With Enterprise Agreement for Cisco Intersight Software License

Ordering Structure of UCS X-Series M6 X-Direct Xccelerate Offer

UCS X-Series M6 X-Direct Xccelerate Offer Ordering Structure

*Products Not available to order standalone. Can be ordered only under MLB



Catalog of Product IDs (PIDs)

Note: For a complete list of part numbers for the see the Cisco [Cisco UCS Fabric Interconnect 9108 100G Spec Sheet](#), [Cisco UCS X9508 Chassis Spec Sheet](#) and [Cisco UCS X210c M6 Compute Node Spec Sheet](#)

Table 1. PID of Major Line Bundle (MLB)

Product ID (PID)	Description
UCSX-M6-XDIRECTXCC	UCS-X M6 X-Direct XCcelerate Offer Subject to approval

Table 2. Cisco Compute Hyperconverged Chassis Major Line PIDs

Product ID (PID)	Description
UCSX-9508-M6-FREE	Cisco UCS 9508 Chassis Configured

Table 3. Cisco Compute Hyperconverged Server node Major Line PIDs

Product ID (PID)	Description
UCSX-210C-M6-U	Cisco UCS X210c M6 Compute Node 2S Intel 4th Gen CPU without CPU, memory, drive bays, drives, VIC adapter, or mezzanine adapters

Table 4. Cisco Intersight Major Line PIDs

Product ID (PID)	Description
DC-MGT-SAAS	Cisco Intersight SaaS
CNDL-DESELECT	Conditional Deselect

Step By Step Ordering Process

Buy Method Through Cisco (Eg: Direct Customer & Tier 1 Partners)

Scenario 1: Customer Without Enterprise Agreement for Cisco Intersight Software License

Step 1.



The screenshot shows a software interface with a search bar at the top containing 'Add by SKU Description and Product Family'. Below the search bar is a table with columns: Hardware, Software and Services; Estimated Lead Time (Days); Unit List Price (USD); Qty; Unit Net Price (USD); Discounts (%); and Extended Net Price (USD). A single line item is shown with a quantity of 1.0 and a unit list price of 0.00. Below the table, there are buttons for 'Select Options', 'Validate', 'Recommended Content', 'Add Note', 'Add Subtotal', 'Copy', and 'Remove Line'. Callout 'a' points to the 'Add' button, and callout 'b' points to the 'Select Options' button.

- a. In CCW, search for MLB PID and click on “Add”
- b. Click on “Select Options” to enter the configurator.

Step 2.

The screenshot shows a configurator interface for 'UCSX 9500 Chassis'. A green box labeled 'UCSX 9500 Chassis' has a blue arrow pointing to a list of components: 'FIM', 'Power Supply', and 'Power Cable'. Below this, there are two tables. The first table, 'UCSX 9500 CHASSIS > 1 Selected (Min 1, Max 1)', shows a product 'UCSX-9508-M6-FREE' with a unit list price of 0.30 and an adjusted list price of 4,581.88. Callout 'a' points to the quantity '1', and callout 'b' points to the 'Invalid' status. The second table, 'UCSX MODULAR SERVER > (Min 6, Max 8)', shows a product 'UCSX-210C-M6-U' with a unit list price of 8,201.46 and an adjusted list price of 49,208.76. Callout 'c' points to the 'Edit Options' button for this product.

- a. Free Chassis: UCSX-9508-M6-FREE is preselected and can only be selected with 1 QTY
- b. Notice the UCSX-9508-M6-FREE ATO Status is invalid as further configuration needed.
- c. Click on “Edit Options” to enter the configurator.

Step 3.

Product Configuration
UCSX-9508-M6-FREE part of UCSX-M6-DIRECTXCC
Estimated Lead Time
83 days

1: The quantity of Power Cable must be equal to the quantity of Power Supply selected. Please adjust the quantity. (CE200050)
2: Use Power Calculator to determine the correct power supply. The Power Calculator can be found at <http://ucspowercalc.cisco.com>. (CE200050)
3: UCSX-S9108-SW is defaulted under Software License. (CE100033)

Category	Qty	Extended List Price (USD)
Fabric Interconnect Module		
UCSX-S9108-100GM6	2	0.00
UCSX-S9108-SW	2	8,273.16
Power		
UCSX-PSU-2800AC	6	0.00
Accessory		
UCSX-C-DEBUGCBL	1	0.00
UCSX SW		
UCSX-CHASSIS-SW	1	0.00
Chassis Expansion		
Total		8,273.46
Estimated Lead Time		83 days

SKU	Qty	Estimated Lead Time	Unit List Price (USD)
<input type="radio"/> NO-POWER-CORD ECO friendly green option, no power cable will be shipped. More	6	3 days	0.00
<input type="radio"/> CAB-AC-2500W-EU SWP *** Power Cord, 250Vac 16A, Europe	6	8 days	0.00
<input type="radio"/> CAB-AC-2500W-INT Power Cord, 250Vac 16A, INTL	6	8 days	0.00
<input type="radio"/> CAB-C19-CBN Cabinet Jumper Power Cord, 250 VAC 16A, C20-C19 Connectors	6	14 days	0.00
<input type="radio"/> CAB-AC-C6K-TWLK SWP *** Power Cord, 250Vac 16A, twist lock NEMA L6-20 plug, US	6	8 days	0.00

- Pair of Fabric Interconnect Module and Power Supply are auto-included for free in the configuration and Software License: UCSX-S9108-SW is preselected at price.
- Configure UCSX-9508-M6-FREE by selecting Power Cable from category window on the left.
- Click on "Done"

Step 4.

Bundle Configuration
UCSX-M6-DIRECTXCC
Estimated Lead Time
83 days
Price List
Global Price List (USD)
Total
57,927.22

Get service preferences for this configuration

1: CISCO INTERSIGHT requires a minimum of 1 component(s). Please add additional quantities as necessary. (CE100010)
2: The category CISCO INTERSIGHT is required. (CE100103)
3: Please note that you are using a promotional PID which is available ONLY IF qualified for the 'UCS X-Series X-Direct Xccelerate' Program. For details on the program, PIs review Sales Connect, contact your Cisco Account Manager or reach out to ask-ucsx@external.cisco.com. We encourage you NOT to book this PID if you do not qualify. Order will be on hold after booking to check for eligibility. (CE202322)

Product	Unit List Price (USD)	Adjusted List Price (USD)	Qty	Extended List Price (USD)
UCSX 9500 CHASSIS > 1 Selected (Min 1, Max 1)				
UCSX-9508-M6-FREE Valid SWP *** UCS 9508 Free Chassis	4,581.88		1	8,718.46
UCSX MODULAR SERVER > 6 Selected (Min 6, Max 8)				
UCSX-210C-M6-U Invalid SWP *** UCS 210c M6 Compute Node UPG w/o CPU, Mem, Storage, Mz	8,201.46		6	49,208.76
CISCO INTERSIGHT > 0 Selected (Min 1, Max 1)				

- a. Note Status is now showing as Valid.
- b. Click on “Edit Services/Subscriptions” to edit Term Duration for HW Support.

Note: It is recommended that Term Duration for HW Support must align with Software Subscription Duration.

Step 5.

The screenshot shows the configuration page for 'UCS 9500 Chassis'. At the top, there are labels for 'UCS 9500 Chassis' and 'Services/Subscriptions'. The main content area includes a 'Service Options' section with a search bar and a 'Time Duration' section where 'Duration' is set to 36 months. Below this is a table listing services and their prices. At the bottom right, there is a 'Configuration Summary' and buttons for 'Cancel' and 'Done'.

Service SKU	Product SKU	Unit List Price (USD)	Qty	Total List Price (USD)
Cisco Customer Experience Level 1 (1 ITEM) SERVICE PROGRAM	L1NCO (CX LEVEL 1 8X7XNCDOS) SUMMARY		Duration 36 Months	
CON-L1NCO-UCSX08M6 CX LEVEL 1 8X7XNCDOS UCS 9508 Free Chassis SERVICE SKU	UCSX-9508-M6-FREE UCS 9508 Free Chassis PRODUCT SKU	1,335.00	1	1,335.00

- a. Enter the Term Duration
- b. Click on “Apply” and “Done”

Step 6.

UCSX Modular Server

UCSX-210C-M6-U

CPU
Memory
Drives

Bundle Configuration: UCSX-M6-XDIRECTXCC
Estimated Lead Time: 83 days

Set service preferences for this configuration

1: CISCO INTERSIGHT requires a minimum of 1 component(s). Please add additional quantities as necessary. (CE100010)
2: The category CISCO INTERSIGHT is required. (CE100103)
3: Please note that you are using a promotional PID which is available ONLY IF qualified for the 'UCS X-Series X-Direct Xcelerate' Program. For details on the program, PIs review Sales Connect, contact your Cisco Account Manager or reach out to ask-ucsx@external.cisco.com. We encourage you NOT to book this PID if you do not qualify. Order will be on hold after booking to check for eligibility. (CE202322)

Product	Unit List Price (USD)	Adjusted List Price (USD)	Qty	Extended List Price (USD)
UCSX-9508-M6-FREE UCS 9508 Free Chassis	0.30	5,471.88	1	9,608.46
UCSX-210C-M6-U UCS 210c M6 Compute Node UPG w/o CPU, Mem, Storage, Mz	8,201.46	8,201.46	6	49,208.76

- a. Paid Server: UCSX-210C-M6-U is preselected with 6 QTY under MLB and can be selected up to 8 QTY.
- b. Notice the UCSX-210C-M6-U ATO Status is “invalid” as further configuration needed.
- c. Click on “Edit Options” to enter the configurator.

Step 7.

UCSX Modular Server

UCSX-210C-M6-U

CPU
Memory
Drives

Product Configuration: UCSX-210C-M6-U part of UCSX-M6-XDIRECTXCC
Estimated Lead Time: 14 days
Price List: Global Price List

1: A selection from Infrastructure and Workload is required. Please adjust the selections. (CE200277)
2: A selection of either UCSX-V4-Q25GML or UCSX-ML-V5D200G or UCSX-ML-V5Q50G or UCSX-ML-V5D200G2 from Rear MEZZ is required. Please adjust the selections. (CE200096)
3: UCSX-TPM-002C is defaulted under TPM. (CE100033)
4: UCSX-210C-M6-U requires a minimum of 1 and allows maximum of 2 from Processor. (CE100015)

Category	Qty	Extended List Price (USD)
Processor	1	88.72
Memory		
Front MEZZ		
GPU Front MEZZ		
Rear MEZZ		
SSD		
SATA M.2		
TPM		
UCSX-TPM-002C	1	88.72
Total		7,363.46
Estimated Lead Time		14 days

SKU	Qty	Estimated Lead Time	Unit List Price (USD)
UCSX-CPU-48380 Intel 8380 2.3GHz/270W 40C/60MB DDR4 3200MHz	Qty	21 days	40,092.71
UCSX-CPU-48368 Intel 8368 2.4GHz/270W 38C/57MB DDR4 3200MHz	Qty	21 days	31,080.31
UCSX-CPU-48362 Intel 8362 2.8GHz/265W 32C/48MB DDR4 3200MHz	Qty	21 days	26,974.51
UCSX-CPU-48369Y Intel 8369Y 2.4GHz/250W 36C/54MB DDR4 3200MHz	Qty	21 days	23,282.72
UCSX-CPU-48358 Intel 8358 2.6GHz/250W 32C/48MB DDR4 3200MHz	Qty	21 days	19,453.72

- Configure UCSX-210C-M6-U by selecting peripherals from category window on the left.
- PIDs are listed in the window on the right. Some PIDs like CPUs, Memory and Drives are grouped according to type or series; select from the grouped options located above SKU window on the right.
- Follow warning messages to configure the minimum required option PIDs.
- Click on “Done” when completed.

Step 8.

UCSX Modular Server

Bundle Configuration: UCSX-M6-DIRECTXCC
 Estimated Lead Time: 83 days
 Price List (USD)

Set service preferences for this configuration

1: CISCO INTERSIGHT requires a minimum of 1 component(s). Please add additional quantities as necessary. (CE100010)
 2: The category CISCO INTERSIGHT is required. (CE100103)
 3: Please note that you are using a promotional PID which is available ONLY IF qualified for the 'UCS X-Series X-Direct Xcelerate' Program. For details on the program, Pls review Sales Connect, contact your Cisco Account Manager or reach out to ask-ucsx@external.cisco.com. We encourage you NOT to book this PID if you do not qualify. Order will be on hold after booking to check for eligibility. (CE202322)

Product	Unit List Price (USD)	Adjusted List Price (USD)	Qty	Extended List Price (USD)
UCSX-9508-M6-FREE Valid		5,471.88	1	9,608.46
UCSX-210C-M6-U Valid	7,274.74	26,715.92	6	759,525.48

- Note Status is now showing as “Valid”.
- Increase the quantity for multiples of same configuration.
- Click the “PLUS” to add and configure the same product with different option/quantities or select a different product.

Step 9.

Bundle Configuration: UCSX-M6-XDIRECTXCC | Estimated Lead Time: 83 days | Total: 769,133.94

UCSX-210C-M6-U

Services/Subscriptions

1: CISCO INTERSIGHT requires a minimum of 1 component(s). Please add additional quantities as necessary. (CE100010)
 2: The category CISCO INTERSIGHT is required. (CE100103)
 3: Please note that you are using a promotional PID which is available ONLY IF qualified for the 'UCS X-Series X-Direct Xcelerate' Program. For details on the program, PIs review Sales Connect, contact your Cisco Account Manager or reach out to ask-ucsx@external.cisco.com. We encourage you NOT to book this PID if you do not qualify. Order will be on hold after booking to check for eligibility. (CE202322)

Product	Unit List Price (USD)	Adjusted List Price (USD)	Qty	Extended List Price (USD)
UCSX-9508-M6-FREE UCS 9508 Free Chassis		5,471.88	1	9,608.46
UCSX-210C-M6-U UCS 210c M6 Compute Node UPG w/o CPU, Mem, Storage, Mz	7,274.74	26,715.92	6	759,525.48

a. Click on “Edit Services/Subscriptions” to edit Term Duration for HW Support.

Note: It is recommended that Term Duration for HW Support must align with Software Subscription Duration.

Step 10.

Service Subscription: UCSX-210C-M6-U | Price List: Global Price List in US Dollars (USD) | Service Total (USD): 2,514.00

UCSX-210C-M6-U

Services/Subscriptions

You may receive additional discounts because you selected two or more years of service. To review your discounts you can go to the Order or Quoting discount pages. (C0124)

The duration that you entered has been successfully applied to all the services. (C0329)

Service Options

Choose Service Level from: All Service Programs

Time Duration: 36 Months

Service SKU	Product SKU	Unit List Price (USD)	Qty	Total List Price (USD)
Cisco Customer Experience Level 1 (1 ITEM) SERVICE PROGRAM	L1NCO (CX LEVEL 1 8X7XNCDOS) SUMMARY	2,514.00	1	2,514.00
CON-L1NCO-UCSX21CX CX LEVEL 1 8X7XNCDOSUCS 210c M6 Compute Nod... SERVICE SKU	UCSX-210C-M6-U UCS 210c M6 Compute Node UPG w/o CPU, Mem, Sto... PRODUCT SKU		1	

Configuration Summary: All prices shown in USD | Services: 2,514.00

a. Enter the Term Duration.

- b. Click on “Apply” and “Done”

Step 11.

The screenshot shows a configuration page for a bundle named 'UCSX-M6-XDIRECTXCC'. The estimated lead time is 83 days. A warning message states: '1: The quantity of Cisco Intersight 2.0 Infrastructure Services under Offer: DC-MGT-SAAS should be equal to the quantity of Server selected. Please adjust the quantity. (CE200648)'. Below this, a message indicates 'DC-MGT-SAAS has been added to the bundle category CISCO INTERSIGHT.'.

The interface is divided into three main sections:

- Available Components:** Lists 'UCSX 9500 CHASSIS', 'UCSX MODULAR SERVER', and 'CISCO INTERSIGHT'. A red box 'b' highlights the 'CISCO INTERSIGHT' selection.
- UCSX 9500 CHASSIS > 1 Selected (Min 1, Max 1):** Shows a table with columns: Product, Unit List Price (USD), Adjusted List Price (USD), Qty, and Extended List Price (USD). The row for 'UCSX-9508-M6-FREE' has a quantity of 1 and an extended list price of 9,608.46.
- UCSX MODULAR SERVER > 6 Selected (Min 6, Max 8):** Shows a table with columns: Product, Unit List Price (USD), Adjusted List Price (USD), Qty, and Extended List Price (USD). The row for 'UCSX-210C-M6-U' has a quantity of 6 and an extended list price of 769,581.48.
- CISCO INTERSIGHT > 1 Selected (Min 1, Max 1):** Shows a table with columns: Product, Unit List Price (USD), Adjusted List Price (USD), Qty, and Extended List Price (USD). The row for 'DC-MGT-SAAS' has a quantity of 1 and an extended list price of 0.00. A red box 'a' highlights the 'DC-MGT-SAAS' row.

At the bottom of the 'CISCO INTERSIGHT' section, there are fields for 'Requested Start Date' (07-Jun-2024), 'Requested For' (36 Months From 07-Jun-2024 To 06-Jun-2027), 'Automatically Renews For' (12 Months On 07-Jun-2027), and 'Billing Frequency' (Prepaid Term).

- a. It is recommended that Term Duration for HW Support align with Software Subscription Duration.
- b. Intersight is a required selection if you have not previously purchased Cisco Intersight Software. Please make selection by clicking “PLUS”. Click on “Edit Options” to configure.

Step 12.

Cisco Intersight

Offer Configuration
DC-MGT-SAAS(Part of UCSX-M6-XDIRECTXCC)

Estimated Lead Time
NA

Price List
Global Price List (USD)

DC-MGT-SAAS

Requested Terms and Billing

Requested Start Date
07-Jun-2024

Requested For
36 Months From 07-Jun-2024 To 06-Jun-2027

Automatically Renews For
12 Months On 07-Jun-2027

Billing Frequency
Prepaid Term

1: Cisco will apply a standard lead time to your requested start date based on the selected product. Cisco may not be able to honor the requested start date (RSD). In some cases, our systems may require additional lead-time to provision your services. Submitting a RSD that is too early could cause customer subscription billing issues. Verify the requested start date with your implementation team that aligns with customer deployment readiness. (C0742)

2: Your subscription will start and be eligible to be invoiced: i) 30 days or less (7 days for A-FLEX/A-FLEX-3/A-WHOLESALE) after Cisco notifies you that any portion of the subscription is ready for you to provision OR, ii) the day any portion of the subscription is provisioned by Cisco, whichever of the two events happens first. (C01007)

REQUESTED FOR

36 Months From 07-Jun-2024 To 06-Jun-2027

Requested Start Date
 Day: 7, Month: Jun, Year: 2024 a
Enter any date up between 04-Jun-2024 and 01-Sep-2024

End Date
 Effective For 36 Months b
Enter any whole month value from 1-96
 Co-Term to an End Date
 Day: 6, Month: Jun, Year: 2027
Enter any date up between 04-Sep-2024 and 06-Jun-2032

Auto Renewal
 On b
 12 Months

Billing Frequency Prepaid Term b
 Prepaid Term
 Annual Billing
 Quarterly Billing
 Monthly Billing

Cancel
Save Changes

- a. **Requested Start Date (RSD)** is now dependent on HW Ship Date and will automatically starts when the HW ships. If you change the **RSD**, the Software will start either on the **RSD** you picked or the HW Ship Date whichever is later.
- b. **End Date** (duration in months) is defaulted to **36 Months**, **Auto Renewal** (on/off) is defaulted to **On** and **Billing Frequency** is defaulted to **Prepaid Term**. You can still change the setting accordingly.

Step 13.

Cisco Intersight

Offer Configuration
DC-MGT-SAAS(Part of UCSX-M6-XDIRECTXCC)

Estimated Lead Time
NA

Price List
Global Price List (USD)

DC-MGT-SAAS

Requested Terms and Billing

Requested Start Date
07-Jun-2024

Requested For
36 Months From 07-Jun-2024 To 06-Jun-2027

Automatically Renews For
12 Months On 07-Jun-2027

Billing Frequency
Prepaid Term

Please note that Cisco recommends Solution Support with Intersight which solves complex issues on average 44% faster than product support. For complete details, please refer to the following URL: <https://www.cisco.com/c/m/en/us/customer-experience/support/solution-support.html> (CE202322)

Your subscription will start and be eligible to be invoiced: i) 30 days or less (7 days for A-FLEX/A-FLEX-3/A-WHOLESALE) after Cisco notifies you that any portion of the subscription is ready for you to provision OR, ii) the day any portion of the subscription is provisioned by Cisco, whichever of the two events happens first. (C01007)

Configuration Summary

Cisco Intersight 2.0 Infrastructure Services

Cisco Intersight Workload Optimizer (IWO) - SaaS

Cisco Intersight Support

SKU	Qty	List Price
SVS-DCM-SUPT-BAS	1 Each	\$0.00 Per Each/Month
Total		\$0.00

Restore Configuration
Cancel
Review Changes

DC-MGT-SAAS > Cisco Intersight 2.0 Infrastructure Services

Cisco Intersight 2.0 Infrastructure Services

Cisco Intersight 2.0 Infrastructure Services

Device	SKU	Description	Unit List Price (USD)	Action
Qty	DC-MGT-IS-SAAS-ES SA	Infrastructure Services SaaS/CVA - Essentials	Enter Qty to see List Price Per Device/Month	
Qty	DC-MGT-IS-SAAS-AD SA	Infrastructure Services SaaS/CVA - Advantage	Enter Qty to see List Price Per Device/Month	
Qty	DC-MGT-IS-PVAPP-ES SA	Infrastructure Services PVA - Essentials	Enter Qty to see List Price Per Device/Month	
Qty	DC-MGT-IS-PVAPP-AD SA	Infrastructure Services PVA - Advantage	Enter Qty to see List Price Per Device/Month	

Add-Ons

Device	SKU	Description	Unit List Price (USD)	Action
Qty	DC-MGT-IS-UCSD	UCS Director - 1 Server License (includes Network, Storage)	Enter Qty to see List Price Per Device/Month	

Cancel
Review Changes

- a. The quantity of Cisco Intersight 2.0 Infrastructure Services License under Offer: DC-MGT-SAAS should be equal to the quantity of Server selected. Enter the quantity.

Step 14.

Cisco Intersight

↓

DC-MGT-SAAS

Offer Configuration DC-MGT-SAAS(Part of UCSX-M6-XDIRECTXCC)	Estimated Lead Time NA	Price List Global Price List (USD)	Total (USD) 0.00
---	---------------------------	---------------------------------------	---------------------

Requested Terms and Billing

Requested Start Date 07-Jun-2024	Requested For 36 Months From 07-Jun-2024 To 06-Jun-2027	Automatically Renews For 12 Months On 07-Jun-2027	Billing Frequency Prepaid Term
-------------------------------------	--	--	-----------------------------------

Please note that Cisco recommends Solution Support with Intersight which solves complex issues on average 44% faster than product support. For complete details, please refer to the following URL: https://www.cisco.com/c/m/en_us/customer-experience/support/solution-support.html (CE202322)

Your subscription will start and be eligible to be invoiced: i) 30 days or less (7 days for A-FLEX/A-FLEX-3/A-WHOLESALE) after Cisco notifies you that any portion of the subscription is ready for you to provision OR, ii) the day any portion of the subscription is provisioned by Cisco, whichever of the two events happens first. (C01007)

Configuration Summary

- Cisco Intersight 2.0 Infrastructure Services
- Cisco Intersight Workload Optimizer (IWO) - SaaS
- Cisco Intersight Support

SKU	Qty	List Price
SVS-DCM-SUPT-BAS	1 Each	0.00 Per Month
Total \$0.00		

DC-MGT-SAAS > Cisco Intersight Support

Cisco Intersight Support

Each	SKU	Description	Unit List Price (USD)	Action
Qty	SVS-SSTCS-DCMGMT SA	Solution Support for DC Mgmt	Enter Qty to see List Price Per Each/Month	🗑️
Qty	SVS-L1DCS-INTER SA	CXL1 for INTERSIGHT	Enter Qty to see List Price Per Each/Month	🗑️
Qty	SVS-L2DCS-INTER SA	CXL2 for INTERSIGHT	Enter Qty to see List Price Per Each/Month	🗑️
1	SVS-DCM-SUPT-BAS	Basic Support for DCM	\$0.00 Per Each/Month	🗑️

- a. The Cisco Intersight License comes with separate Support. Basic Embedded Support is the default selection. It is recommended that Customer should upgrade to Solution Support or CX Success Track L1 or L2 for the HW.

Step 15.

Bundle Configuration: UCSX-M6-XDIRECTXCC | Estimated Lead Time: 83 days | Price List: Global Price List (USD) | Total: 786,749.94

Set service preferences for this configuration

Warning: Please note that you are using a promotional PID which is available ONLY IF qualified for the 'UCS X-Series X-Direct Xccelerate' Program. For details on the program, PIs review Sales Connect, contact your Cisco Account Manager or reach out to ask-ucsx@external.cisco.com. We encourage you NOT to book this PID if you do not qualify. Order will be on hold after booking to check for eligibility. (CE202322)

Product	Unit List Price (USD)	Adjusted List Price (USD)	Qty	Extended List Price (USD)
UCSX 9500 CHASSIS > 1 Selected (Min 1, Max 1)				
UCSX-9508-M6-FREE	0.30		1	9,608.46
UCSX MODULAR SERVER > 6 Selected (Min 6, Max 8)				
UCSX-210C-M6-U		28,391.92	6	769,581.48
CISCO INTERSIGHT > 1 Selected (Min 1, Max 1)				
DC-MGT-SAAS		35.00	1	7,560.00

Requested Start Date: 07-Jun-2024 | Requested For: 36 Months From 07-Jun-2024 To 06-Jun-2027 | Automatically Renews For: 12 Months On 07-Jun-2027 | Billing Frequency: Prepaid Term

- Configuration for MLB is completed when status of each Product is Valid and warning messages are cleared.
- Click on the “PLUS” to expand and view the selections made for each Product.
- Click on the “DONE” to complete the MLB Configuration.

Scenario 2: Customer With Enterprise Agreement for Cisco Intersight Software License

Step 1.

CCW → UCSX-M6-XDIRECTXCC

Add by SKU Description and Product Family | 1 | Add

Lines View | Apply Success Track | Manage Groups | Remove Selected Lines | More Actions | Zero List Price Items | Search Estimate Line Items

Hardware, Software and Services	Estimated Lead Time (Days)	Unit List Price (USD)	Qty	Unit Net Price (USD)	Discounts (%)	Extended Net Price (USD)
1.0 UCSX-M6-XDIRECTXCC Invalid as of 03-Jun-2024 02:42:20 PDT	Not Applicable	0.00	1	0.00	0.00	0.00

Select Options | Validate | Recommended Content | Add Note | Add Subtotal | Copy | Remove Line | Additional Details

- a. In CCW, search for MLB PID and click on “Add”
- b. Click on “Select Options” to enter the configurator.

Step 2.

The screenshot displays a configuration page for a UCS 9500 Chassis. At the top, a green box labeled "UCS 9500 Chassis" has a blue arrow pointing to a table of components. The table includes:

Product	Unit List Price (USD)	Adjusted List Price (USD)	Qty	Extended List Price (USD)
UCSX-9508-M6-FREE UCS 9508 Free Chassis	0.30	4,581.88	1	8,718.46
UCSX-210C-M6-U UCS 210c M6 Compute Node UPG w/o CPU, Mem, Storage, Mz	8,201.46	8,201.46	6	49,208.76

Annotations in the image:

- a**: Points to the quantity field for UCSX-9508-M6-FREE.
- b**: Points to the "Invalid" status of UCSX-9508-M6-FREE.
- c**: Points to the "Edit Options" link for UCSX-9508-M6-FREE.

Other components shown in green boxes: FIM, Power Supply, and Power Cable. A blue arrow points from the "UCS 9500 Chassis" box to the "UCSX-9508-M6-FREE" row in the table.

- a. Free Chassis: UCSX-9508-M6-FREE is preselected and can only be selected with 1 QTY
- b. Notice the UCSX-9508-M6-FREE ATO Status is invalid as further configuration needed.
- c. Click on “Edit Options” to enter the configurator.

Step 3.

UCS 9500 Chassis

UCSX-9508-M6-FREE

FIM

Power Supply

Power Cable

Product Configuration
UCSX-9508-M6-FREE part of UCSX-M6-XDIRECTXCC

Estimated Lead Time
83 days

1: The quantity of Power Cable must be equal to the quantity of Power Supply selected. Please adjust the quantity. (CE200050)
2: Use Power Calculator to determine the correct power supply. The Power Calculator can be found at <http://ucspowercalc.cisco.com>. (CE200050)
3: UCSX-S9108-SW is defaulted under Software License. (CE100033)

Configuration Summary View Full Summary

Category	Qty	Extended List Price (USD)
Fabric Interconnect Module		
UCSX-S9108-100GM6	2	0.00
UCSX-S9108-SW	2	8,273.16
Power		
UCSX-PSU-2800AC	6	0.00
Accessory		
UCSX-C-DEBUGCBL	1	0.00
UCSX SW		
UCSX-CHASSIS-SW	1	0.00
Total		8,273.46
Estimated Lead Time		83 days

UCSX-9508-M6-FREE > Power

Power Cable

SKU	Qty	Estimated Lead Time	Unit List Price (USD)
<input type="radio"/> NO-POWER-CORD ECO friendly green option, no power cable will be shipped. More	6	3 days	0.00
<input type="radio"/> CAB-AC-2500W-EU SWP *** Power Cord, 250Vac 16A, Europe	6	8 days	0.00
<input type="radio"/> CAB-AC-2500W-INT Power Cord, 250Vac 16A, INTL	6	8 days	0.00
<input type="radio"/> CAB-C19-CBN Cabinet Jumper Power Cord, 250 VAC 16A, C20-C19 Connectors	6	14 days	0.00
<input type="radio"/> CAB-AC-C6K-TWLK SWP *** Power Cord, 250Vac 16A, twist lock NEMA L6-20 plug, US	6	8 days	0.00

Reset Configuration Cancel Done

- Pair of Fabric Interconnect Module and Power Supply are auto-included for free in the configuration and Software License: UCSX-S9108-SW is preselected at price.
- Configure UCSX-9508-M6-FREE by selecting Power Cable from category window on the left.
- Click on "Done"

Step 4.

UCS 9500 Chassis

UCSX-9508-M6-FREE

Services/Subscriptions

Bundle Configuration
UCSX-M6-XDIRECTXCC

Estimated Lead Time
83 days

Price List
Global Price List (USD)

Total
57,927.22

Set service preferences for this configuration

1: CISCO INTERSIGHT requires a minimum of 1 component(s). Please add additional quantities as necessary. (CE100010)
2: The category CISCO INTERSIGHT is required. (CE100103)
3: Please note that you are using a promotional PID which is available ONLY IF qualified for the 'UCS X-Series X-Direct Xccelerate' Program. For details on the program, PIs review Sales Connect, contact your Cisco Account Manager or reach out to ask-ucsx@external.cisco.com. We encourage you NOT to book this PID if you do not qualify. Order will be on hold after booking to check for eligibility. (CE202322)

Available Components Unit List Price (USD)

UCSX 9500 CHASSIS	
UCSX-9508-M6-FREE UCS 9508 Free Chassis 1 required Estimated Lead Time: --	0.30
UCSX MODULAR SERVER	
CISCO INTERSIGHT	

UCSX 9500 CHASSIS > 1 Selected (Min 1, Max 1)

Product	Unit List Price (USD)	Adjusted List Price (USD)	Qty	Extended List Price (USD)
<input checked="" type="radio"/> UCSX-9508-M6-FREE Valid a UCS 9508 Free Chassis		4,581.88	1	8,718.46

UCSX MODULAR SERVER > 6 Selected (Min 6, Max 8)

Product	Unit List Price (USD)	Adjusted List Price (USD)	Qty	Extended List Price (USD)
<input checked="" type="radio"/> UCSX-210C-M6-U Invalid b UCS 210c M6 Compute Node UPG w/o CPU, Mem, Storage, Mz		8,201.46	6	49,208.76

CISCO INTERSIGHT > 0 Selected (Min 1, Max 1)

Check Path Translation

- a. Note Status is now showing as Valid.
- b. Click on “Edit Services/Subscriptions” to edit Term Duration for HW Support.

Note: It is recommended that Term Duration for HW Support must align with Software Subscription Duration.

Step 5.

The screenshot shows the configuration page for 'UCS 9500 Chassis'. At the top, there are labels for 'UCS 9500 Chassis' and 'Services/Subscriptions'. The main content area includes a 'Service Options' section with a search bar and a 'Time Duration' section where 'Duration' is set to 36 months. Below this is a table of services:

Service SKU	Product SKU	Unit List Price (USD)	Qty	Total List Price (USD)
Cisco Customer Experience Level 1 (1 ITEM) SERVICE PROGRAM	L1NCO (CX LEVEL 1 8X7XNCDOS) SUMMARY		36 Months	
CON-L1NCO-UCSX08M6 CX LEVEL 1 8X7XNCDOS UCS 9508 Free Chassis SERVICE SKU	UCSX-9508-M6-FREE UCS 9508 Free Chassis PRODUCT SKU	1,335.00	1	1,335.00

At the bottom right, there is a 'Configuration Summary' table showing 'Services' with a total price of 1,335.00. Red arrows labeled 'a' and 'b' indicate the steps: 'a' points to the 'Duration' input field, and 'b' points to the 'Apply' and 'Done' buttons.

- a. Enter the Term Duration
- b. Click on “Apply” and “Done”

Step 6.

UCSX Modular Server

UCSX-210C-M6-U

CPU
Memory
Drives

Bundle Configuration
UCSX-M6-XDIRECTXCC
Estimated Lead Time: 83 days

Set service preferences for this configuration

1: CISCO INTERSIGHT requires a minimum of 1 component(s). Please add additional quantities as necessary. (CE100010)
2: The category CISCO INTERSIGHT is required. (CE100103)
3: Please note that you are using a promotional PID which is available ONLY IF qualified for the 'UCS X-Series X-Direct Xcelerate' Program. For details on the program, PIs review Sales Connect, contact your Cisco Account Manager or reach out to ask-ucsx@external.cisco.com. We encourage you NOT to book this PID if you do not qualify. Order will be on hold after booking to check for eligibility. (CE202322)

Product	Unit List Price (USD)	Adjusted List Price (USD)	Qty	Extended List Price (USD)
UCSX-9508-M6-FREE UCS 9508 Free Chassis		5,471.88	1	9,608.46
UCSX-210C-M6-U UCS 210c M6 Compute Node UPG w/o CPU, Mem, Storage, Mz		8,201.46	6	49,208.76

Available Components

- UCSX 9500 CHASSIS
- UCSX MODULAR SERVER
- CISCO INTERSIGHT

- Paid Server: UCSX-210C-M6-U is preselected with 6 QTY under MLB and can be selected up to 8 QTY.
- Notice the UCSX-210C-M6-U ATO Status is "invalid" as further configuration needed.
- Click on "Edit Options" to enter the configurator.

Step 7.

UCSX Modular Server

UCSX-210C-M6-U

CPU
Memory
Drives

Product Configuration
UCSX-210C-M6-U part of UCSX-M6-XDIRECTXCC
Estimated Lead Time: 14 days
Price List: Global Price List

1: A selection from Infrastructure and Workload is required. Please adjust the selections. (CE200277)
2: A selection of either UCSX-V4-Q25GML or UCSX-ML-V5D200G or UCSX-ML-V5Q50G or UCSX-ML-V5D200G2 from Rear MEZZ is required. Please adjust the selections. (CE200096)
3: UCSX-TPM-002C is defaulted under TPM. (CE100033)
4: UCSX-210C-M6-U requires a minimum of 1 and allows maximum of 2 from Processor. (CE100015)

Configuration Summary

Category	Qty	Extended List Price (USD)
Processor		
Memory		
Front MEZZ		
GPU Front MEZZ		
Rear MEZZ		
SSD		
SATA M.2		
TPM		
UCSX-TPM-002C	1	88.72
Total		7,363.46
Estimated Lead Time		14 days

UCSX-210C-M6-U > Processor

8000 Processor Series | 6000 Processor Series | 5000 Processor Series | 4000 Processor Series

SKU	Qty	Estimated Lead Time	Unit List Price (USD)
UCSX-CPU-8380 Intel 8380 2.3GHz/270W 40C/60MB DDR4 3200MHz	Qty	21 days	40,092.71
UCSX-CPU-8368 Intel 8368 2.4GHz/270W 38C/57MB DDR4 3200MHz	Qty	21 days	31,080.31
UCSX-CPU-8362 Intel 8362 2.8GHz/265W 32C/48MB DDR4 3200MHz	Qty	21 days	26,974.51
UCSX-CPU-8360Y Intel 8360Y 2.4GHz/250W 36C/54MB DDR4 3200MHz	Qty	21 days	23,282.72
UCSX-CPU-8358 Intel 8358 2.6GHz/250W 32C/48MB DDR4 3200MHz	Qty	21 days	19,453.72

Reset Configuration

Cancel Done

- Configure UCSX-210C-M6-U by selecting peripherals from category window on the left.
- PIDs are listed in the window on the right. Some PIDs like CPUs, Memory and Drives are grouped according to type or series; select from the grouped options located above SKU window on the right.
- Follow warning messages to configure the minimum required option PIDs.
- Click on “Done” when completed.

Step 8.

- Note Status is now showing as “Valid”.
- Increase the quantity for multiples of same configuration.
- Click the “PLUS” to add and configure the same product with different option/quantities or select a different product.

Step 9.

Bundle Configuration: UCSX-M6-XDIRECTXCC | Estimated Lead Time: 83 days | Total: 769,133.94

UCSX-210C-M6-U

Services/Subscriptions

1: CISCO INTERSIGHT requires a minimum of 1 component(s). Please add additional quantities as necessary. (CE100010)
 2: The category CISCO INTERSIGHT is required. (CE100103)
 3: Please note that you are using a promotional PID which is available ONLY IF qualified for the 'UCS X-Series X-Direct Xcelerate' Program. For details on the program, PIs review Sales Connect, contact your Cisco Account Manager or reach out to ask-ucsx@external.cisco.com. We encourage you NOT to book this PID if you do not qualify. Order will be on hold after booking to check for eligibility. (CE202322)

Product	Unit List Price (USD)	Adjusted List Price (USD)	Qty	Extended List Price (USD)
UCSX-9508-M6-FREE UCS 9508 Free Chassis		5,471.88	1	9,608.46
UCSX-210C-M6-U UCS 210c M6 Compute Node UPG w/o CPU, Mem, Storage, Mz		26,715.92	6	759,525.48

a. Click on “Edit Services/Subscriptions” to edit Term Duration for HW Support.

Note: It is recommended that Term Duration for HW Support must align with Software Subscription Duration.

Step 10.

Service Subscription: UCSX-210C-M6-U | Price List: Global Price List in US Dollars (USD) | Service Total (USD): 2,514.00

UCSX-210C-M6-U

Services/Subscriptions

You may receive additional discounts because you selected two or more years of service. To review your discounts you can go to the Order or Quoting discount pages. (C0124)

The duration that you entered has been successfully applied to all the services. (C0329)

Service Options

Choose Service Level from: All Service Programs

Time Duration: 36

Service SKU	Product SKU	Unit List Price (USD)	Qty	Total List Price (USD)
Cisco Customer Experience Level 1 (1 ITEM) SERVICE PROGRAM	L1NCO (CX LEVEL 1 8X7XNCDOS) SUMMARY		1	2,514.00
CON-L1NCO-UCSX21CX CX LEVEL 1 8X7XNCDOSUCS 210c M6 Compute Nod... SERVICE SKU	UCSX-210C-M6-U UCS 210c M6 Compute Node UPG w/o CPU, Mem, Sto... PRODUCT SKU	2,514.00	1	2,514.00

Configuration Summary: All prices shown in USD | Services: 2,514.00

a. Enter the Term Duration.

- b. Click on “Apply” and “Done”

Step 11.

- a. **CNDL-DESELECT** is meant to select only if Customer has already purchased Cisco Intersight License via EA Contract or order is for Disti Fulfillment.

Step 12.

- a. Please select appropriate Reason Code

Step 13.

Bundle Configuration: UCSX-M6-XDIRECTXCC
Estimated Lead Time: 83 days
Price List: Global Price List (USD)
Total: 779,189.94

Set service preferences for this configuration Cancel Done

1: Please note that Intersight is required selection and needed for the Server to function, if you have not previously purchased Intersight please make selection. (CE202322)
2: Please note that you are using a promotional PID which is available ONLY IF qualified for the 'UCS X-Series X-Direct Xcelerate' Program. For details on the program, Pls review Sales Connect, contact your Cisco Account Manager or reach out to ask-ucsx@external.cisco.com. We encourage you NOT to book this PID if you do not qualify. Order will be on hold after booking to check for eligibility. (CE202322)

Available Components	Unit List Price (USD)
UCSX 9500 CHASSIS	0.30
UCSX-9508-M6-FREE	
UCS 9508 Free Chassis 1 required	
Estimated Lead Time: --	

Product	Unit List Price (USD)	Adjusted List Price (USD)	Qty	Extended List Price (USD)
UCSX-9508-M6-FREE Valid		5,471.88	1	9,608.46
UCS 9508 Free Chassis				

Product	Unit List Price (USD)	Adjusted List Price (USD)	Qty	Extended List Price (USD)
UCSX-210C-M6-U Valid		28,391.92	6	769,581.48
UCS 210c M6 Compute Node UPG w/o CPU Storage, Mz				

Product	Unit List Price (USD)	Adjusted List Price (USD)	Qty	Extended List Price (USD)
CNDL-DESELECT Valid		0.00	1	0.00
Conditional Deselect				

- a. Configuration for MLB is completed when status of each Product is Valid and warning messages are cleared.
- b. Click on the “PLUS” to expand and view the selections made for each Product.
- c. Click on the “DONE” to complete the MLB Configuration.

Buy Method Through Distributor (Eg: Direct Customer & Tier 1 Partners)

Scenario 1: Customer Without Enterprise Agreement for Cisco Intersight Software License

Step 1.



The screenshot shows a software interface for adding a product. At the top, there is a search bar with the text 'Add by SKU Description and Product Family'. Below this, there are several tabs: 'Lines View', 'Apply Success Track', 'Manage Groups', 'Remove Selected Lines', and 'More Actions'. A 'Zero List Price Items' section is also visible. The main table shows a single line item for 'UCSX-M6-XDIRECTXCC' with a quantity of 1 and a unit net price of 0.00. A red box labeled 'a' points to the 'Add' button, and another red box labeled 'b' points to the 'Select Options' button.

- a. In CCW, search for MLB PID and click on “Add”
- b. Click on “Select Options” to enter the configurator.

Step 2.

The screenshot shows a configurator interface for 'UCS 9500 Chassis'. The main section is titled 'UCSX 9500 CHASSIS > 1 Selected (Min 1, Max 1)'. It lists two products: 'UCSX-9508-M6-FREE' (UCS 9508 Free Chassis) and 'UCSX-210C-M6-U' (UCS 210c M6 Compute Node UPG w/o CPU, Mem, Storage, Mz). The 'UCSX-9508-M6-FREE' product is highlighted with a red box labeled 'a' pointing to its quantity field (set to 1) and a red box labeled 'b' pointing to its 'Invalid' status. A red box labeled 'c' points to the 'Edit Options' button for this product. On the left, there is a sidebar with 'Available Components' including 'UCSX 9500 CHASSIS', 'UCSX MODULAR SERVER', and 'CISCO INTERSIGHT'. A green box labeled 'UCS 9500 Chassis' has a blue arrow pointing to the 'UCSX-9508-M6-FREE' product. Other green boxes labeled 'FIM', 'Power Supply', and 'Power Cable' are also present.

- a. Free Chassis: UCSX-9508-M6-FREE is preselected and can only be selected with 1 QTY
- b. Notice the UCSX-9508-M6-FREE ATO Status is invalid as further configuration needed.
- c. Click on “Edit Options” to enter the configurator.

Step 3.

Product Configuration
UCSX-9508-M6-FREE part of UCSX-M6-XDIRECTXCC
Estimated Lead Time
83 days

1: The quantity of Power Cable must be equal to the quantity of Power Supply selected. Please adjust the quantity. (CE200050)
2: Use Power Calculator to determine the correct power supply. The Power Calculator can be found at <http://ucspowercalc.cisco.com>. (CE200050)
3: UCSX-S9108-SW is defaulted under Software License. (CE100033)

Category	Qty	Extended List Price (USD)
Fabric Interconnect Module		
UCSX-S9108-100GM6	2	0.00
UCSX-S9108-SW	2	8,273.16
Power		
UCSX-PSU-2800AC	6	0.00
Accessory		
UCSX-C-DEBUGCBL	1	0.00
UCSX SW		
UCSX-CHASSIS-SW	1	0.00
Chassis Expansion		
Total		8,273.46
Estimated Lead Time		83 days

SKU	Qty	Estimated Lead Time	Unit List Price (USD)
<input type="radio"/> NO-POWER-CORD ECO friendly green option, no power cable will be shipped. More	6	3 days	0.00
<input type="radio"/> CAB-AC-2500W-EU SWP *** Power Cord, 250Vac 16A, Europe	6	8 days	0.00
<input type="radio"/> CAB-AC-2500W-INT Power Cord, 250Vac 16A, INTL	6	8 days	0.00
<input type="radio"/> CAB-C19-CBN Cabinet Jumper Power Cord, 250 VAC 16A, C20-C19 Connectors	6	14 days	0.00
<input type="radio"/> CAB-AC-C6K-TWLK SWP *** Power Cord, 250Vac 16A, twist lock NEMA L6-20 plug, US	6	8 days	0.00

- Pair of Fabric Interconnect Module and Power Supply are auto-included for free in the configuration and Software License: UCSX-S9108-SW is preselected at price.
- Configure UCSX-9508-M6-FREE by selecting Power Cable from category window on the left.
- Click on "Done"

Step 4.

Bundle Configuration
UCSX-M6-XDIRECTXCC
Estimated Lead Time
83 days
Price List
Global Price List (USD)
Total
57,927.22

1: CISCO INTERSIGHT requires a minimum of 1 component(s). Please add additional quantities as necessary. (CE100010)
2: The category CISCO INTERSIGHT is required. (CE100103)
3: Please note that you are using a promotional PID which is available ONLY IF qualified for the 'UCS X-Series X-Direct Xcelerate' Program. For details on the program, PIs review Sales Connect, contact your Cisco Account Manager or reach out to ask-ucsx@external.cisco.com. We encourage you NOT to book this PID if you do not qualify. Order will be on hold after booking to check for eligibility. (CE202322)

Product	Unit List Price (USD)	Adjusted List Price (USD)	Qty	Extended List Price (USD)
UCSX 9500 CHASSIS > 1 Selected (Min 1, Max 1)				
UCSX-9508-M6-FREE Valid UCS 9508 Free Chassis	4,581.88	4,581.88	1	8,718.46
UCSX MODULAR SERVER > 6 Selected (Min 6, Max 8)				
UCSX-210C-M6-U Invalid UCS 210c M6 Compute Node UPG w/o CPU, Mem, Storage, Mz	8,201.46	8,201.46	6	49,208.76
CISCO INTERSIGHT > 0 Selected (Min 1, Max 1)				

- a. Note Status is now showing as Valid.
- b. Click on “Edit Services/Subscriptions” to edit Term Duration for HW Support.

Note: It is recommended that Term Duration for HW Support must align with Software Subscription Duration.

Step 5.

The screenshot shows the configuration page for 'UCS 9500 Chassis'. At the top, there are labels for 'UCS 9500 Chassis' and 'Services/Subscriptions'. The main content area includes a 'Service Options' section with a search bar and a 'Time Duration' section where the duration is set to 36 months. Below this is a table of services with columns for Service SKU, Product SKU, Unit List Price (USD), Qty, and Total List Price (USD). The table lists 'Cisco Customer Experience Level 1' and 'UCS 9500 Free Chassis'. At the bottom right, there is a 'Configuration Summary' box showing 'Services' with a total price of 1,335.00. Red arrows labeled 'a' and 'b' indicate the steps: 'a' points to the duration input field, and 'b' points to the 'Apply' and 'Done' buttons.

- a. Enter the Term Duration
- b. Click on “Apply” and “Done”

Step 6.

UCSX Modular Server

UCSX-210C-M6-U

CPU

Memory

Drives

Bundle Configuration: UCSX-M6-XDIRECTXCC, Estimated Lead Time: 83 days

Set service preferences for this configuration

1: CISCO INTERSIGHT requires a minimum of 1 component(s). Please add additional quantities as necessary. (CE100010)

2: The category CISCO INTERSIGHT is required. (CE100103)

3: Please note that you are using a promotional PID which is available ONLY IF qualified for the 'UCS X-Series X-Direct Xcelerate' Program. For details on the program, PIs review Sales Connect, contact your Cisco Account Manager or reach out to ask-ucsx@external.cisco.com. We encourage you NOT to book this PID if you do not qualify. Order will be on hold after booking to check for eligibility. (CE202322)

Available Components	Unit List Price (USD)	UCSX 9500 CHASSIS > 1 Selected (Min 1, Max 1)										
UCSX-9508-M6-FREE UCS 9508 Free Chassis 1 required Estimated Lead Time: --	0.30	<table border="1"> <thead> <tr> <th>Product</th> <th>Unit List Price (USD)</th> <th>Adjusted List Price (USD)</th> <th>Qty</th> <th>Extended List Price (USD)</th> </tr> </thead> <tbody> <tr> <td>UCSX-9508-M6-FREE Valid UCS 9508 Free Chassis Add Custom Name Edit Options Edit Services/Subscriptions Remove Line</td> <td></td> <td>5,471.88</td> <td>1</td> <td>9,608.46</td> </tr> </tbody> </table>	Product	Unit List Price (USD)	Adjusted List Price (USD)	Qty	Extended List Price (USD)	UCSX-9508-M6-FREE Valid UCS 9508 Free Chassis Add Custom Name Edit Options Edit Services/Subscriptions Remove Line		5,471.88	1	9,608.46
Product	Unit List Price (USD)	Adjusted List Price (USD)	Qty	Extended List Price (USD)								
UCSX-9508-M6-FREE Valid UCS 9508 Free Chassis Add Custom Name Edit Options Edit Services/Subscriptions Remove Line		5,471.88	1	9,608.46								
UCSX MODULAR SERVER		<table border="1"> <thead> <tr> <th>Product</th> <th>Unit List Price (USD)</th> <th>Adjusted List Price (USD)</th> <th>Qty</th> <th>Extended List Price (USD)</th> </tr> </thead> <tbody> <tr> <td>UCSX-210C-M6-U Invalid UCS 210c M6 Compute Node UPG w/o CPU, Mem, Storage, Mz Add Custom Name Edit Options Edit Services/Subscriptions Remove Line</td> <td>8,201.46</td> <td></td> <td>6</td> <td>49,208.76</td> </tr> </tbody> </table>	Product	Unit List Price (USD)	Adjusted List Price (USD)	Qty	Extended List Price (USD)	UCSX-210C-M6-U Invalid UCS 210c M6 Compute Node UPG w/o CPU, Mem, Storage, Mz Add Custom Name Edit Options Edit Services/Subscriptions Remove Line	8,201.46		6	49,208.76
Product	Unit List Price (USD)	Adjusted List Price (USD)	Qty	Extended List Price (USD)								
UCSX-210C-M6-U Invalid UCS 210c M6 Compute Node UPG w/o CPU, Mem, Storage, Mz Add Custom Name Edit Options Edit Services/Subscriptions Remove Line	8,201.46		6	49,208.76								
CISCO INTERSIGHT		<table border="1"> <thead> <tr> <th>Product</th> <th>Unit List Price (USD)</th> <th>Adjusted List Price (USD)</th> <th>Qty</th> <th>Extended List Price (USD)</th> </tr> </thead> <tbody> <tr> <td>CISCO INTERSIGHT > 0 Selected (Min 1, Max 1) Add a CISCO INTERSIGHT from the left panel</td> <td></td> <td></td> <td></td> <td></td> </tr> </tbody> </table>	Product	Unit List Price (USD)	Adjusted List Price (USD)	Qty	Extended List Price (USD)	CISCO INTERSIGHT > 0 Selected (Min 1, Max 1) Add a CISCO INTERSIGHT from the left panel				
Product	Unit List Price (USD)	Adjusted List Price (USD)	Qty	Extended List Price (USD)								
CISCO INTERSIGHT > 0 Selected (Min 1, Max 1) Add a CISCO INTERSIGHT from the left panel												

- a. Paid Server: UCSX-210C-M6-U is preselected with 6 QTY under MLB and can be selected up to 8 QTY.
- b. Notice the UCSX-210C-M6-U ATO Status is “invalid” as further configuration needed.
- c. Click on “Edit Options” to enter the configurator.

Step 7.

UCSX Modular Server

UCSX-210C-M6-U

CPU

Memory

Drives

Product Configuration: UCSX-210C-M6-U part of UCSX-M6-XDIRECTXCC, Estimated Lead Time: 14 days, Price List: Global Price List

1: A selection from Infrastructure and Workload is required. Please adjust the selections. (CE200277)

2: A selection of either UCSX-V4-Q25GML or UCSX-ML-V5D200G or UCSX-ML-V5Q50G or UCSX-ML-V5D200G2 from Rear MEZZ is required. Please adjust the selections. (CE200096)

3: UCSX-TPM-002C is defaulted under TPM. (CE100033)

4: UCSX-210C-M6-U requires a minimum of 1 and allows maximum of 2 from Processor. (CE100015)

5: UCSX-210C-M6-U requires a minimum of 1 and allows maximum of 2 from Processor. (CE100015)

Configuration Summary

Category	Qty	Extended List Price (USD)
Processor		
Memory		
Front MEZZ		
GPU Front MEZZ		
Rear MEZZ		
SSD		
SATA M.2		
TPM		
UCSX-TPM-002C	1	88.72
Total		7,363.46
Estimated Lead Time		14 days

UCSX-210C-M6-U > Processor

8000 Processor Series | 6000 Processor Series | 5000 Processor Series | 4000 Processor Series

SKU	Qty	Estimated Lead Time	Unit List Price (USD)
UCSX-CPU-48380 Intel 8380 2.3GHz/270W 40C/60MB DDR4 3200MHz	Qty	21 days	40,092.71
UCSX-CPU-48368 Intel 8368 2.4GHz/270W 38C/57MB DDR4 3200MHz	Qty	21 days	31,080.31
UCSX-CPU-48362 Intel 8362 2.8GHz/265W 32C/48MB DDR4 3200MHz	Qty	21 days	26,974.51
UCSX-CPU-48369Y Intel 8369Y 2.4GHz/250W 36C/54MB DDR4 3200MHz	Qty	21 days	23,282.72
UCSX-CPU-48358 Intel 8358 2.6GHz/250W 32C/48MB DDR4 3200MHz	Qty	21 days	19,453.72

Reset Configuration Cancel Done

- Configure UCSX-210C-M6-U by selecting peripherals from category window on the left.
- PIDs are listed in the window on the right. Some PIDs like CPUs, Memory and Drives are grouped according to type or series; select from the grouped options located above SKU window on the right.
- Follow warning messages to configure the minimum required option PIDs.
- Click on “Done” when completed.

Step 8.

- Note Status is now showing as “Valid”.
- Increase the quantity for multiples of same configuration.
- Click the “PLUS” to add and configure the same product with different option/quantities or select a different product.

Step 9.

Bundle Configuration: UCSX-M6-XDIRECTXCC | Estimated Lead Time: 83 days | Total: 769,133.94

UCSX-210C-M6-U

Services/Subscriptions

1: CISCO INTERSIGHT requires a minimum of 1 component(s). Please add additional quantities as necessary. (CE100010)
 2: The category CISCO INTERSIGHT is required. (CE100103)
 3: Please note that you are using a promotional PID which is available ONLY IF qualified for the 'UCS X-Series X-Direct Xcelerate' Program. For details on the program, PIs review Sales Connect, contact your Cisco Account Manager or reach out to ask-ucsx@external.cisco.com. We encourage you NOT to book this PID if you do not qualify. Order will be on hold after booking to check for eligibility. (CE202322)

Product	Unit List Price (USD)	Adjusted List Price (USD)	Qty	Extended List Price (USD)
UCSX-9508-M6-FREE UCS 9508 Free Chassis		5,471.88	1	9,608.46
UCSX-210C-M6-U UCS 210c M6 Compute Node UPG w/o CPU, Mem, Storage, Mz		26,715.92	6	759,525.48

a. Click on “Edit Services/Subscriptions” to edit Term Duration for HW Support.

Note: It is recommended that Term Duration for HW Support must align with Software Subscription Duration.

Step 10.

Service Subscription: UCSX-210C-M6-U | Price List: Global Price List in US Dollars (USD) | Service Total (USD): 2,514.00

UCSX-210C-M6-U

Services/Subscriptions

You may receive additional discounts because you selected two or more years of service. To review your discounts you can go to the Order or Quoting discount pages. (C0124)

The duration that you entered has been successfully applied to all the services. (C0329)

Service Options

Choose Service Level from: All Service Programs

Time Duration: 36 months

Service SKU	Product SKU	Unit List Price (USD)	Qty	Total List Price (USD)
Cisco Customer Experience Level 1 (1 ITEM) SERVICE PROGRAM	L1NCO (CX LEVEL 1 8X7XNCDOS) SUMMARY		1	2,514.00
CON-L1NCO-UCSX21CX CX LEVEL 1 8X7XNCDOSUCS 210c M6 Compute Nod...	UCSX-210C-M6-U UCS 210c M6 Compute Node UPG w/o CPU, Mem, Sto...	2,514.00	1	2,514.00

Configuration Summary: All prices shown in USD | Services: 2,514.00

a. Enter the Term Duration.

b. Click on “Apply” and “Done”

Step 11.

a. **CNDL-DESELECT** is meant to select only if Customer has already purchased Cisco Intersight License via EA Contract or order is for Disti Fulfillment.

Note: Please note that Intersight is required selection and needed for the M6 Server to function. All orders with CNDL-DESELECT will be manually reviewed for Compliance.

Step 12.

a. Please select appropriate Reason Code

Step 13.

The screenshot displays a configuration page for a bundle named 'UCSX-M6-XDIRECTXCC'. At the top, it shows 'Estimated Lead Time' as 83 days, 'Price List' as 'Global Price List (USD)', and a 'Total' of 779,189.94. Below this is a section for 'Set service preferences for this configuration' with 'Cancel' and 'Done' buttons. A warning message states: '1: Please note that Intersight is required selection and needed for the Server to function, if you have not previously purchased Intersight please make selection. (CE202322)' and '2: Please note that you are using a promotional PID which is available ONLY IF qualified for the 'UCS X-Series X-Direct Xcelerate' Program. For details on the program, PIs review Sales Connect, contact your Cisco Account Manager or reach out to ask-ucsx@external.cisco.com. We encourage you NOT to book this PID if you do not qualify. Order will be on hold after booking to check for eligibility. (CE202322)'. The main area is divided into 'Available Components' on the left and a list of selected products on the right. The 'Available Components' list includes 'UCSX 9500 CHASSIS' (0.30), 'UCSX 9508 Free Chassis 1 required', 'UCSX MODULAR SERVER', and 'CISCO INTERSIGHT'. The selected products are: 'UCSX 9500 CHASSIS > 1 Selected (Min 1, Max 1)' with a 'PLUS' button; 'UCSX 9508-M6-FREE Valid' (Unit Price: 5,471.88, Qty: 1, Extended List Price: 9,608.46); 'UCSX MODULAR SERVER > 6 Selected (Min 6, Max 8)' with a 'PLUS' button; 'UCSX 210C-M6-U Valid' (Unit Price: 28,391.92, Qty: 6, Extended List Price: 769,581.48); and 'CISCO INTERSIGHT > 1 Selected (Min 1, Max 1)' with 'CNDL-DESELECT Valid' (Unit Price: 0.00, Qty: 1, Extended List Price: 0.00). Red callout 'a' points to the 'PLUS' button for UCSX MODULAR SERVER, and red callout 'b' points to the 'PLUS' button for UCSX 9500 CHASSIS.

- a. Configuration for MLB is completed when status of each Product is Valid and warning messages are cleared.
- b. Click on the “PLUS” to expand and view the selections made for each Product.
- c. Click on the “DONE” to complete the MLB Configuration.

Step 14.

Cisco Intersight

DC-MGT-SAAS

Add by SKU Description and Product Family

← Import Saved Configuration

Estimate Preferences

Lines View

Apply Success Track

Manage Groups

Remove Selected Lines

More Actions

Zero List Price Items

Hide Show

Search Estimate Line Items

Hardware, Software and Services	Estimated Lead Time (Days)	Unit List Price (USD)	Qty	Unit Net Price (USD)	Discounts (%)	Extended Net Price (USD)
1.0 UCSX-M6-XDIRECTXCC Valid as of 04-Jun-2024 01:26:10 PDT UCS-X M6 X-Direct XAccelerate Offer Subject to approval	35	21,052.99	1	21,052.99	0.00	446,707.02

Edit Options Validate Recommended Content Add Note Add Subtotal Copy Remove Line

Additional Details

- a. Configuration of UCSX-M6-XDIRECTXCC is now Valid and Line No. 1.0 represents HW only Configuration.
- b. Intersight is a required selection, if you have not previously purchased Cisco Intersight Software and needs to added in Line 2.0 which will represent SW only Configuration.

Step 15.

Cisco Intersight

DC-MGT-SAAS

1 Add

Estimate Preferences

Lines View

Apply Success Track

Manage Groups

Remove Selected Lines

More Actions

Zero List Price Items

Hide Show

Search Estimate Line Items

Hardware, Software and Services	Estimated Lead Time (Days)	Unit List Price (USD)	Qty	Unit Net Price (USD)	Discounts (%)	Extended Net Price (USD)
1.0 UCSX-M6-XDIRECTXCC Valid as of 04-Jun-2024 01:26:10 PDT UCS-X M6 X-Direct XAccelerate Offer Subject to approval	35	21,052.99	1	21,052.99	0.00	446,707.02
2.0 DC-MGT-SAAS Valid as of 04-Jun-2024 01:31:57 PDT Cisco Intersight SaaS	3	0.00	1	0.00	0.00	0.00

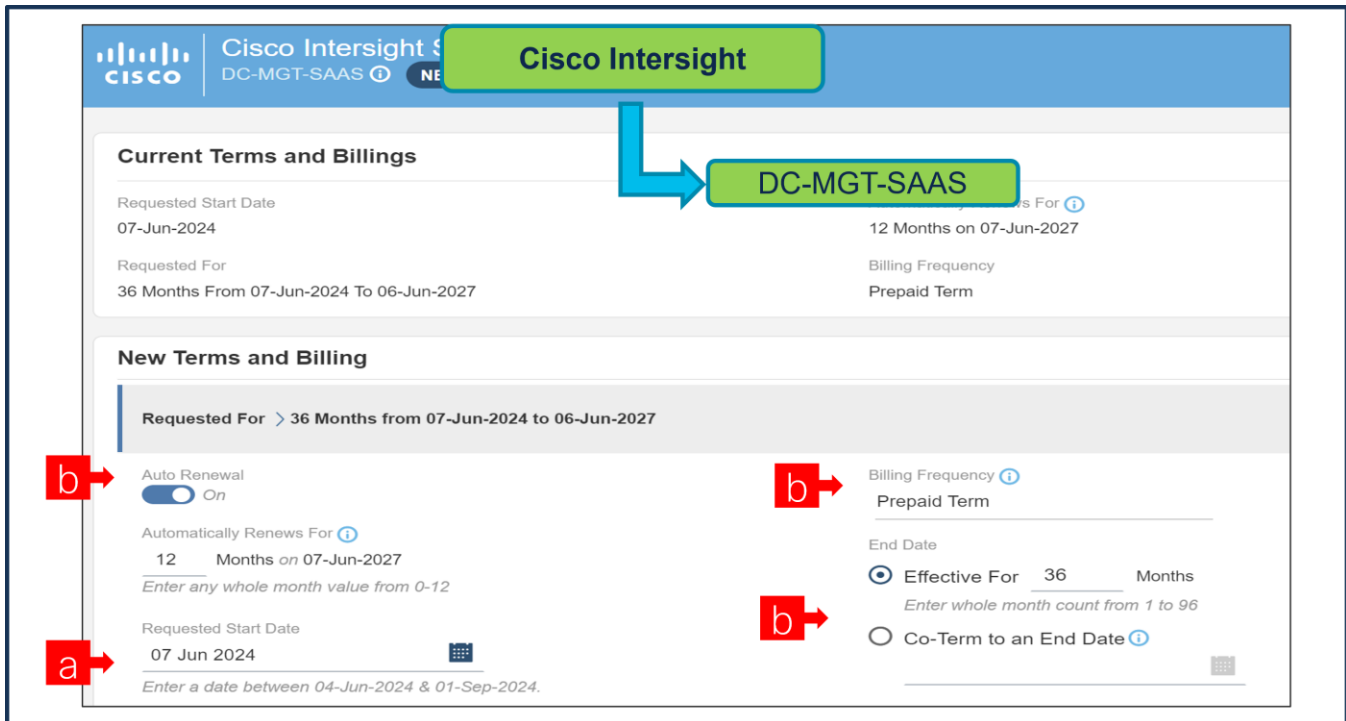
Edit Options Validate Recommended Content Add Note Add Subtotal Copy Remove Line

Additional Details

- a. In CCW, search for DC-MGT-SAAS and click on “ADD”.

- b. Intersight is a required selection, if you have not previously purchased Cisco Intersight Software. Click on Select Options to enter the configurator.

Step 16.



- a. **Requested Start Date (RSD)** It is recommended that when you book your SaaS Product, you select a Request Start Date (RSD) 90 days into the future.
- b. **End Date** (duration in months) is defaulted to **36 Months**, **Auto Renewal** (on/off) is defaulted to **On** and **Billing Frequency** is defaulted to **Prepaid Term**. You can still change the setting accordingly.

Step 17.

Cisco Intersight

DC-MGT-SAAS

Subscription USD 7,560.00 Service USD 0.00

PRODUCTS	UNIT LIST PRICE	STATUS	QUANTITY	ACTION
Cisco Intersight 2.0 Infrastructure Services				
Infrastructure Services SaaS/CVA - Essentials DC-MGT-IS-SAAS-ES SA	35.00 Per Device/Month	Added	6 Device	Delete
Infrastructure Services SaaS/CVA - Advantage DC-MGT-IS-SAAS-AD SA	Enter Qty to see List Price Per Device/Month	Not Added	Qty Device	+ Add
Infrastructure Services PVA - Essentials DC-MGT-IS-PVAPP-ES SA	Enter Qty to see List Price Per Device/Month	Not Added	Qty Device	+ Add
Infrastructure Services PVA - Advantage DC-MGT-IS-PVAPP-AD SA	Enter Qty to see List Price Per Device/Month	Not Added	Qty Device	+ Add
Add-Ons				
UCS Director - 1 Server License (includes Network, Storage) DC-MGT-IS-UCSD	Enter Qty to see List Price Per Device/Month	Not Added	Qty Device	+ Add

Cisco Intersight Workload Optimizer (IWO) - SaaS

Configuration Summary

PRODUCTS	QUANTITY	EXTENDED LIST PRICE
Cisco Intersight 2.0 Infrastructure Services		
DC-MGT-IS-SAAS-ES SA 35.00 Per Device/Month x 36 Months	6 Device	7,560.00
Cisco Intersight Support		
SVS-DCM-SUPT-BAS	1 Each	0.00
Auto Expansion		
DC-MGT-UCSC-1S SA	6 Device	0.00
DC-MGT-ADOPT-BAS	1 License	0.0000

- a. The quantity of Cisco Intersight 2.0 Infrastructure Services License under Offer: DC-MGT-SAAS should be equal to the quantity of Server selected. Enter the quantity.

Step 18.

Cisco Intersight

DC-MGT-SAAS

Subscription USD 7,560.00 Service USD 0.00

PRODUCTS	UNIT LIST PRICE	STATUS	QUANTITY	ACTION
Cisco Intersight Support				
Solution Support for DC Mgmt SVS-SSTCS-DCMGMT SA	Enter Qty to see List Price Per Each/Month	Not Added	Qty Each	Swap
CXL1 for INTERSIGHT SVS-L1DCS-INTER SA	Enter Qty to see List Price Per Each/Month	Not Added	Qty Each	Swap
CXL2 for INTERSIGHT SVS-L2DCS-INTER SA	Enter Qty to see List Price Per Each/Month	Not Added	Qty Each	Swap
Basic Support for DCM SVS-DCM-SUPT-BAS	0.00 Per Each/Month	Added	1 Each	Delete

Configuration Summary

PRODUCTS	QUANTITY	EXTENDED LIST PRICE
Cisco Intersight 2.0 Infrastructure Services		
DC-MGT-IS-SAAS-ES SA 35.00 Per Device/Month x 36 Months	6 Device	7,560.00
Cisco Intersight Support		
SVS-DCM-SUPT-BAS	1 Each	0.00
Auto Expansion		
DC-MGT-UCSC-1S SA	6 Device	0.00
DC-MGT-ADOPT-BAS	1 License	0.0000

- a. The Cisco Intersight License comes with separate Support. Basic Embedded Support is the default selection. It is recommended that Customer should upgrade to Solution Support or CX Success Track L1 or L2 for the HW.

Step 19.

	Hardware, Software and Services	Estimated Lead Time (Days)	Unit List Price (USD)	Qty	Unit Net Price (USD)	Discounts (%)	Extended Net Price (USD)
1.0	UCSX-M6-XDIRECTXCC Valid as of 04-Jun-2024 01:26:10 PDT UCS-X M6 X-Direct XCcelerate Offer Subject to approval	35	21,052.99	1	21,052.99	0.00	446,707.02
2.0	DC-MGT-SAAS Valid as of 04-Jun-2024 01:41:12 PDT Cisco Intersight SaaS	3	210.00	1	210.00	0.00	7,560.00

- a. Configuration for UCSX-M6-XDIRECTXCC and DC-MGT-SAAS is now completed, and status of each Product is Valid.
- b. Click on the “PLUS” to expand and view the selections made for each Product.

Scenario 2: Customer With Enterprise Agreement for Cisco Intersight Software License

Step 1.

CCW
→
UCSX-M6-XDIRECTXCC

	Hardware, Software and Services	Estimated Lead Time (Days)	Unit List Price (USD)	Qty	Unit Net Price (USD)	Discounts (%)	Extended Net Price (USD)
1.0	UCSX-M6-XDIRECTXCC Invalid as of 03-Jun-2024 02:42:20 PDT UCS-X M6 X-Direct XCcelerate Offer Subject to approval	Not Applicable	0.00	1	0.00	0.00	0.00

- a. In CCW, search for MLB PID and click on “Add”

b. Click on “Select Options” to enter the configurator.

Step 2.

a. Free Chassis: UCSX-9508-M6-FREE is preselected and can only be selected with 1 QTY

b. Notice the UCSX-9508-M6-FREE ATO Status is invalid as further configuration needed.

c. Click on “Edit Options” to enter the configurator.

Step 3.

UCS 9500 Chassis

Service Subscription: UCSX-9508-M6-FREE | Price List: Global Price | Selected Price: 1,335.00 | **Services/Subscriptions**

Service Options

Choose Service Level from: All Service Programs

Time Duration: Duration (selected) | Delay service start to | Co-Term service to

Duration:

Buttons:

Service SKU	Product SKU	Unit List Price (USD)	Qty	Total List Price (USD)
CON-L1NCO-UCSX08M6 CX LEVEL 1 8X7XNCDOS UCS 9508 Free Chassis SERVICE SKU	UCSX-9508-M6-FREE UCS 9508 Free Chassis PRODUCT SKU	1,335.00	1	1,335.00

Buttons:

Configuration Summary: All prices shown in USD | Services: 1,335.00

Buttons:

- a. Enter the Term Duration
- b. Click on “Apply” and “Done”

Step 6.

UCSX Modular Server

Bundle Configuration: UCSX-M6-XDIRECTXCC | Estimate: 83 days | Price List | **CPU**, **Memory**, **Drives**

Set service preferences for this configuration

1: CISCO INTERSIGHT requires a minimum of 1 component(s). Please add additional quantities as necessary. (CE100010)

2: The category CISCO INTERSIGHT is required. (CE100103)

3: Please note that you are using a promotional PID which is available ONLY IF qualified for the 'UCS X-Series X-Direct Xcelerate' Program. For details on the program, PIs review Sales Connect, contact your Cisco Account Manager or reach out to ask-ucsx@external.cisco.com. We encourage you NOT to book this PID if you do not qualify. Order will be on hold after booking to check for eligibility. (CE202322)

Available Components	Unit List Price (USD)
UCSX 9500 CHASSIS	0.30
UCSX 9508 Free Chassis	1 required
UCSX 210C M6 Compute Node UPG w/o CPU, Mem, Storage, Mz	Invalid
CISCO INTERSIGHT	1, Max 1

Product	Unit List Price (USD)	Adjusted List Price (USD)	Qty	Extended List Price (USD)
UCSX-9508-M6-FREE Valid	5,471.88	5,471.88	1	9,608.46
UCSX-210C-M6-U Invalid	8,201.46	8,201.46	6	49,208.76
CISCO INTERSIGHT			0 Selected	

- a. Paid Server: UCSX-210C-M6-U is preselected with 6 QTY under MLB and can be selected up to 8 QTY.
- b. Notice the UCSX-210C-M6-U ATO Status is “invalid” as further configuration needed.

c. Click on “Edit Options” to enter the configurator.

Step 7.

The screenshot displays the UCSX-210C-M6-U configurator interface. At the top, a diagram shows the UCSX Modular Server branching into CPU, Memory, and Drives components. The main interface is divided into a Configuration Summary on the left and a Processor options table on the right. The Configuration Summary shows a total price of 7,363.46 USD and an estimated lead time of 14 days. The Processor options table lists several Intel processors with their respective SKUs, quantities, estimated lead times, and unit list prices. Annotations 'a' through 'd' highlight key elements: 'a' points to the category window, 'b' points to the processor options table, 'c' points to a warning message, and 'd' points to the 'Done' button.

SKU	Qty	Estimated Lead Time	Unit List Price (USD)
UCSX-CPU-I8380 Intel 8380 2.3GHz/270W 40C/60MB DDR4 3200MHz	Qty	21 days	40,092.71
UCSX-CPU-I8368 Intel 8368 2.4GHz/270W 38C/57MB DDR4 3200MHz	Qty	21 days	31,080.31
UCSX-CPU-I8362 Intel 8362 2.8GHz/265W 32C/48MB DDR4 3200MHz	Qty	21 days	26,974.51
UCSX-CPU-I8369Y Intel 8369Y 2.4GHz/250W 36C/54MB DDR4 3200MHz	Qty	21 days	23,282.72
UCSX-CPU-I8358 Intel 8358 2.6GHz/250W 32C/48MB DDR4 3200MHz	Qty	21 days	19,453.72

a. Configure UCSX-210C-M6-U by selecting peripherals from category window on the left.

b. PIDs are listed in the window on the right. Some PIDs like CPUs, Memory and Drives are grouped according to type or series; select from the grouped options located above SKU window on the right.

c. Follow warning messages to configure the minimum required option PIDs.

d. Click on “Done” when completed.

Step 8.

UCSX Modular Server

Bundle Configuration: UCSX-M6-XDIRECTXCC | Estimated Lead Time: 83 days | Global Price List (USD)

Set service preferences for this configuration

UCSX-210C-M6-U

1: CISCO INTERSIGHT requires a minimum of 1 component(s). Please add additional quantities as necessary. (CE100010)
 2: The category CISCO INTERSIGHT is required. (CE100103)
 3: Please note that you are using a promotional PID which is available ONLY IF qualified for the 'UCS X-Series X-Direct Xcelerate' Program. For details on the program, Pls review Sales Connect, contact your Cisco Account Manager or reach out to ask-ucsx@external.cisco.com. We encourage you NOT to book this PID if you do not qualify. Order will be on hold after booking to check for eligibility. (CE202322)

Available Components	Unit List Price (USD)	UCSX 9500 CHASSIS > 1 Selected (Min 1, Max 1)	Product	Unit List Price (USD)	Adjusted List Price (USD)	Qty	Extended List Price (USD)
UCSX 9500 CHASSIS		UCSX-9508-M6-FREE Valid	UCS 9508 Free Chassis		5,471.88	1	9,608.46
UCSX MODULAR SERVER		UCSX-210C-M6-U Valid	UCS 210c M6 Compute Node UPG w/o CPU, Mem, Storage, Mz	26,715.92		6	759,525.48

UCSX-210C-M6-U: 7,274.74 | UCS 210c M6 Compute Node UPG w/o CPU, Mem, Storage, Mz | 6 required | Estimated Lead Time: 14 days

CISCO INTERSIGHT > 0 Selected (Min 1, Max 1)

- Note Status is now showing as “Valid”.
- Increase the quantity for multiples of same configuration.
- Click the “PLUS” to add and configure the same product with different option/quantities or select a different product.

Step 9.

UCSX Modular Server

Bundle Configuration: UCSX-M6-XDIRECTXCC | Estimated Lead Time: 83 days | Global Price List (USD) | Total: 769,133.94

Set service preferences for this configuration

UCSX-210C-M6-U

1: CISCO INTERSIGHT requires a minimum of 1 component(s). Please add additional quantities as necessary. (CE100010)
 2: The category CISCO INTERSIGHT is required. (CE100103)
 3: Please note that you are using a promotional PID which is available ONLY IF qualified for the 'UCS X-Series X-Direct Xcelerate' Program. For details on the program, Pls review Sales Connect, contact your Cisco Account Manager or reach out to ask-ucsx@external.cisco.com. We encourage you NOT to book this PID if you do not qualify. Order will be on hold after booking to check for eligibility. (CE202322)

Available Components	Unit List Price (USD)	UCSX 9500 CHASSIS > 1 Selected (Min 1, Max 1)	Product	Unit List Price (USD)	Adjusted List Price (USD)	Qty	Extended List Price (USD)
UCSX 9500 CHASSIS		UCSX-9508-M6-FREE Valid	UCS 9508 Free Chassis		5,471.88	1	9,608.46
UCSX MODULAR SERVER		UCSX-210C-M6-U Valid	UCS 210c M6 Compute Node UPG w/o CPU, Mem, Storage, Mz	26,715.92		6	759,525.48

UCSX-210C-M6-U: 7,274.74 | UCS 210c M6 Compute Node UPG w/o CPU, Mem, Storage, Mz | 6 required | Estimated Lead Time: 14 days

CISCO INTERSIGHT > 0 Selected (Min 1, Max 1)

Services/Subscriptions

- Click on “Edit Services/Subscriptions” to edit Term Duration for HW Support.

Note: It is recommended that Term Duration for HW Support must align with Software Subscription Duration.

Step 10.

UCSX Modular Server

UCSX-210C-M6-U

Services/Subscriptions

Service Subscription: UCSX-210C-M6-U

Price List: Global Price List in US-Dollars (USD)

Service total (USD): 2,514.00

0.00

You may receive additional discounts because you selected two or more years of service. To review your discounts you can go to the Order or Quoting discount pages. (C0124)

Service: Non Serviceable Products

The duration that you entered has been successfully applied to all the services. (C0329)

Service Options

Choose Service Level from: All Service Programs

Search by Name & Description

Note: Cisco may still install another compatible service if required. Compatible services are the services that come with primary service and are based on products.

Time Duration: Duration, Delay service start to, Co-Term service to

Duration: 36

Reset Apply

Service SKU	Product SKU	Unit List Price (USD)	Qty	Total List Price (USD)
Cisco Customer Experience Level 1 (1 ITEM) SERVICE PROGRAM CON-L1NCO-UCSX21CX CX LEVEL 1 8X7XNCDOS UCS 210c M6 Compute Nod... SERVICE SKU Change Service Remove Service	L1NCO (CX LEVEL 1 8X7XNCDOS) SUMMARY UCSX-210C-M6-U UCS 210c M6 Compute Node UPG w/o CPU, Mem, Sto... PRODUCT SKU	2,514.00	1	2,514.00

Remove All Services Remove All Additional Services

Configuration Summary: All prices shown in USD
Services: 2,514.00

Cancel Done

- a. Enter the Term Duration.
- b. Click on “Apply” and “Done”

Step 11.

Bundle Configuration: UCSX-M6-XDIRECTXCC | Estimated Lead Time: 83 days | Total: 779,189.94

Set service preferences for this configuration

1: Please note that InterSight is required selection and needed for the Server to function, if you have not previously purchased InterSight please make selection. (CE202322)

2: Please note that you are using a promotional PID which is available ONLY IF qualified for the 'UCS X-Series X-Direct Xcelerate' Program. For details on the program, Pls review Sales Connect, contact your Cisco Account Manager or reach out to ask-ucsx@external.cisco.com. We encourage you NOT to book this PID if you do not qualify. Order will be on hold after booking to check for eligibility. (CE202322)

CNDL-DESELECT has been added to the bundle category CISCO INTERSIGHT.

Available Components	Unit List Price (USD)
UCSX 9500 CHASSIS	
UCSX MODULAR SERVER	
CISCO INTERSIGHT	
DC-MGT-SAAS Cisco InterSight SaaS	0.00
CNDL-DESELECT Conditional Deselect Estimated Lead Time: 7 days	0.00

Product	Unit List Price (USD)	Adjusted List Price (USD)	Qty	Extended List Price (USD)
UCSX-9508-M6-FREE UCS 9508 Free Chassis		5,471.88	1	9,608.46
UCSX-210C-M6-U UCS 210c M6 Compute Node UPG w/o CPU, Mem, Storage, Mz		28,391.92	6	769,581.48
CNDL-DESELECT Conditional Deselect		0.00	1	0.00

- a. CNDL-DESELECT is meant to select only if Customer has already purchased Cisco InterSight License via EA Contract or order is for Disti Fulfillment.

Note: Please note that InterSight is required selection and needed for the M6 Server to function. All orders with CNDL-DESELECT will be manually reviewed for Compliance.

Step 12.

Product Configuration: CNDL-DESELECT part of UCSX-M6-XDIRECTXCC | Estimated Lead Time: 7 days | Price List: Global Price List in US Dollars (USD) | 0.00

Configuration Summary

Category	Qty	Extended List Price (USD)
Reason Codes		
OPTOUT-OWN-EA	1	0.00

Total: 0.00 | Estimated Lead Time: 7 days

Reason Codes

SKU	Qty	Estimated Lead Time	Unit List Price (USD)
<input checked="" type="radio"/> OPTOUT-OWN-EA License not needed: Customer already owns Licenses in an EA	1	3 days	0.00
<input type="radio"/> OPTOUT-OWN-LIC License not needed: Customer already owns License	1	3 days	0.00
<input type="radio"/> OPTOUT-DISTI-ONLY For Disti when ordering mandatory licenses separately	1	3 days	0.00

- a. Please select appropriate Reason Code

Step 13.

Bundle Configuration: UCSX-M6-XDIRECTXCC
Estimated Lead Time: 83 days
Price List: Global Price List (USD)
Total: 779,189.94

Set service preferences for this configuration

1: Please note that Intersight is required selection and needed for the Server to function, if you have not previously purchased Intersight please make selection. (CE202322)
2: Please note that you are using a promotional PID which is available ONLY IF qualified for the 'UCS X-Series X-Direct Xcelerate' Program. For details on the program, Pls review Sales Connect, contact your Cisco Account Manager or reach out to ask-ucsx@external.cisco.com. We encourage you NOT to book this PID if you do not qualify. Order will be on hold after booking to check for eligibility. (CE202322)

Available Components	Unit List Price (USD)
UCSX 9500 CHASSIS	
UCSX-9508-M6-FREE UCS 9508 Free Chassis 1 required Estimated Lead Time: --	0.30

Product	Unit List Price (USD)	Adjusted List Price (USD)	Qty	Extended List Price (USD)
UCSX 9500 CHASSIS > 1 Selected (Min 1, Max 1)				
UCSX-9508-M6-FREE Valid ⚠️ UCS 9508 Free Chassis Add Custom Name Edit Options Edit Services/Subscriptions Remove Line		5,471.88	1	9,608.46
UCSX MODULAR SERVER > 6 Selected (Min 6, Max 8)				
UCSX-210C-M6-U Valid ⚠️ UCS 210c M6 Compute Node UPG w/o 210 Storage, Mz Add Custom Name Edit Options Edit Services/Subscriptions Remove Line		28,391.92	6	769,581.48
Add a UCSX MODULAR SERVER from the left panel				
CISCO INTERSIGHT > 1 Selected (Min 1, Max 1)				
CNDL-DESELECT Valid ⚠️ Conditional Deselect Add Custom Name Edit Options Remove Line		0.00	1	0.00

- Configuration for MLB is completed when status of each Product is Valid and warning messages are cleared.
- Click on the “PLUS” to expand and view the selections made for each Product.
- Click on the “DONE” to complete the MLB Configuration.