



# General Troubleshooting

---

This chapter provides procedures for troubleshooting the most common problems encountered when operating the NCS 1020 chassis.

- [Troubleshooting Client-Side Failure, on page 1](#)
- [Troubleshooting Line Port SPAN Failure, on page 3](#)
- [Troubleshooting Power Oscillation in the Network, on page 6](#)
- [Troubleshooting Connection Verification Failures, on page 7](#)

## Troubleshooting Client-Side Failure

### Problem

This problem occurs when there is a signal payload loss in the following conditions:

- If the fiber cut occurs at the client-side in the direction from the client to the NCS 1020, the LOS-P alarm is raised at the AD port controller OTS.
- If the fiber cut occurs at the client-side in the direction from the NCS 1020 to the client, the LOS-P alarm is raised at the Passive device controller OMS.

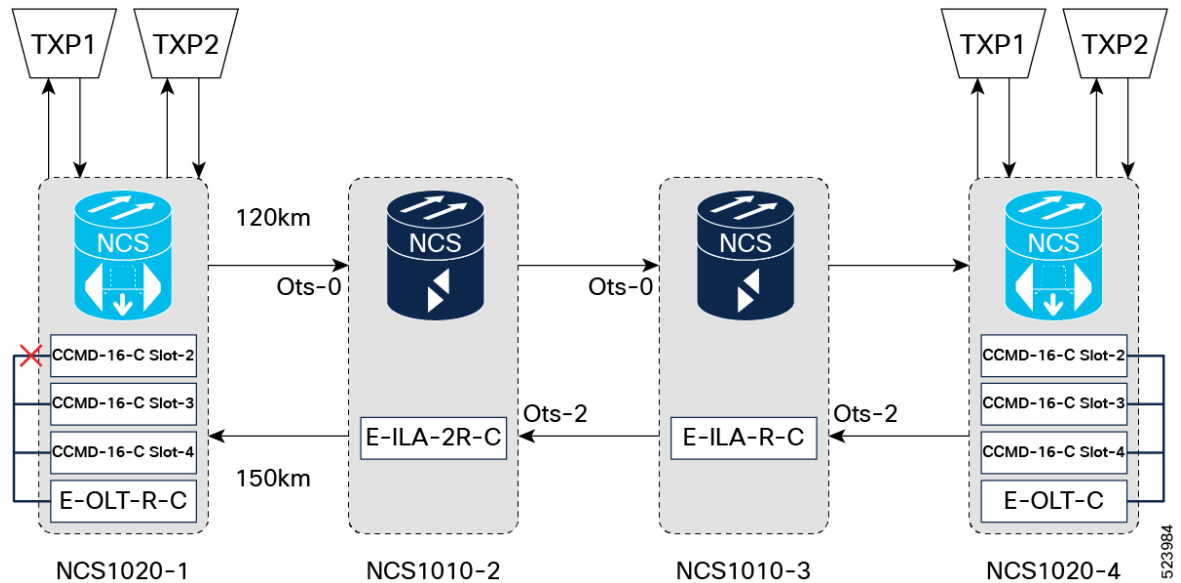
### Topology and Components

To build this topology, you need the following hardware:

- Cisco NCS 1020 devices
- QDD-400G-ZR-S transceiver

The following figure displays client-side failure due to fiber cut:

Figure 1: Fiber Cut on Line



### Example 1

The following example shows how to determine LOS-P failure at the AD port controller OTS:

```
RP/0/RP0/CPU0:ios#show controllers ots0/0/0/3
Tue Mar 28 15:58:12.210 UTC
```

```
Controller State: Down
```

```
Transport Admin State: Automatic In Service
```

```
LED State: Red
```

#### Alarm Status:

```
-----
Detected Alarms:
    RX-LOS-P
```

#### Alarm Statistics:

```
-----
RX-LOS-P = 2
RX-LOC = 0
TX-POWER-FAIL-LOW = 0
INGRESS-AUTO-LASER-SHUT = 0
INGRESS-AUTO-POW-RED = 0
INGRESS-AMPLI-GAIN-LOW = 0
INGRESS-AMPLI-GAIN-HIGH = 0
EGRESS-AUTO-LASER-SHUT = 0
EGRESS-AUTO-POW-RED = 0
EGRESS-AMPLI-GAIN-LOW = 0
EGRESS-AMPLI-GAIN-HIGH = 0
HIGH-TX-BR-PWR = 0
HIGH-RX-BR-PWR = 0
SPAN-TOO-SHORT-TX = 0
SPAN-TOO-SHORT-RX = 0
```

#### Parameter Statistics:

```

-----
Total Rx Power = -50.00 dBm
Total Tx Power = -50.00 dBm
Ingress Ampli Mode = Gain
Ingress Ampli Gain = 0.0 dB
Ingress Ampli Tilt = 0.0 dB

```

```

Configured Parameters:
-----
Ingress Ampli Mode = Gain
Ingress Ampli Gain = 16.0 dB
Ingress Ampli Power = -3.0 dBm
Ingress Ampli Tilt = 0.0 dB
Rx Low Threshold = -3276.8 dBm
Tx Low Threshold = -3276.8 dBm

```

## Example 2

The following example shows how to determine LOS-P failure at the passive device controller OMS:

```

RP/0/RP0/CPU0:P2A_DT_07#sh controllers oms 0/1/0/8
Tue Mar 28 16:00:33.685 UTC

```

```

Controller State: Down

```

```

Transport Admin State: Automatic In Service

```

```

LED State: Red

```

### Alarm Status:

```

-----
Detected Alarms:
      RX-LOS-P

```

### Alarm Statistics:

```

-----
RX-LOS-P = 1
TX-POWER-FAIL-LOW = 0

```

### Parameter Statistics:

```

-----
Tx Power = -50.00 dBm
Rx Power = -50.00 dBm

```

## Solution

See [RX-LOS-P](#) to resolve this alarm.

# Troubleshooting Line Port SPAN Failure

## Problem

This problem occurs when there is a loss of fiber connection at the Line port due to fiber cut. As a result, the LOC alarm is raised at the Line OTS controller.

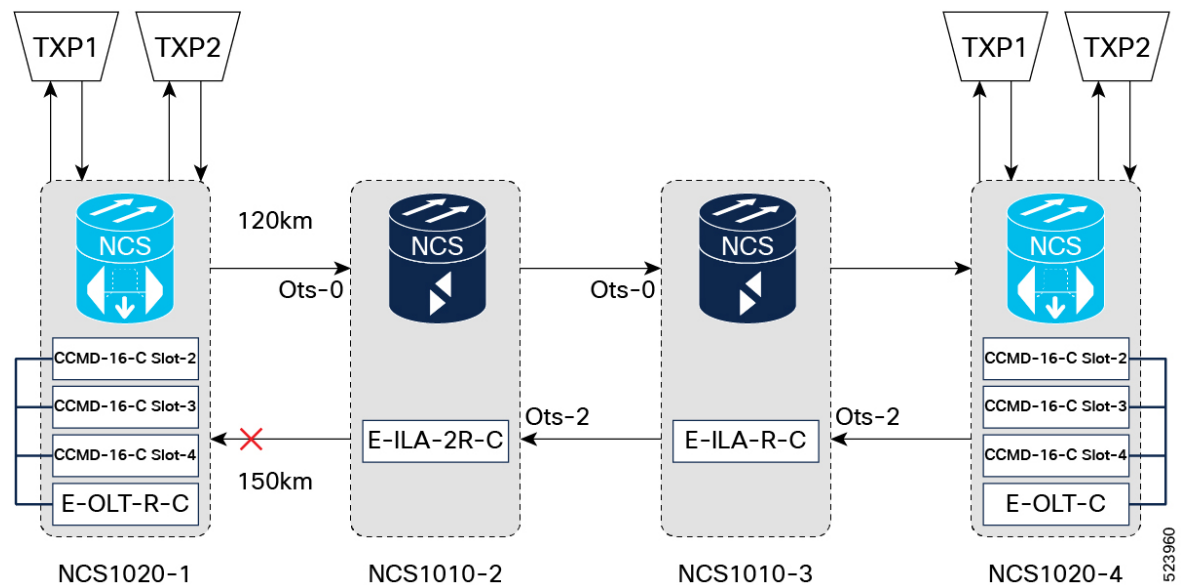
## Topology and Components

To build this point-to-point topology, you need the following hardware:

- Cisco NCS 1020 devices
- NCS1K-MD32E-C modules
- NCS1K-MD32O-C modules
- QDD-400G-ZR-S transceiver

The following figure shows loss of fiber connection continuity at the Line port:

**Figure 2: Fiber Cut at the Line OTS Controller**



## Example 1

The following example shows how to determine a span failure.

```
RP/0/RP0/CPU0:ios#show controllers ots0/0/0/0
Tue Mar 28 15:48:31.486 UTC
```

```
Controller State: Down
```

```
Transport Admin State: In Service
```

```
LED State: Red
```

### Alarm Status:

```
-----
```

### Detected Alarms:

```
  RX-LOS-P
  RX-LOC
  EGRESS-AUTO-LASER-SHUT
```

### Alarm Statistics:

```
-----
```

```
RX-LOS-P = 2
```

```
RX-LOC = 2
TX-POWER-FAIL-LOW = 3
INGRESS-AUTO-LASER-SHUT = 0
INGRESS-AUTO-POW-RED = 0
INGRESS-AMPLI-GAIN-LOW = 0
INGRESS-AMPLI-GAIN-HIGH = 0
EGRESS-AUTO-LASER-SHUT = 2
EGRESS-AUTO-POW-RED = 0
EGRESS-AMPLI-GAIN-LOW = 0
EGRESS-AMPLI-GAIN-HIGH = 0
HIGH-TX-BR-PWR = 0
HIGH-RX-BR-PWR = 0
SPAN-TOO-SHORT-TX = 0
SPAN-TOO-SHORT-RX = 0
```

Parameter Statistics:

```
-----
Total Rx Power(C+L) = 10.69 dBm
Total Tx Power(C+L) = 19.50 dBm
Total Rx Power = -50.00 dBm
Total Tx Power = -50.00 dBm
Rx Signal Power = -50.00 dBm
Tx Signal Power = -50.00 dBm
BR Power = -90.00 dBm
Tx Voa Attenuation = 15.0 dB
Ingress Ampli Mode = Gain
Ingress Ampli Gain = 0.0 dB
Ingress Ampli Tilt = 0.0 dB
Ingress Ampli Gain Range = Normal
Ingress Ampli Safety Control mode = auto
Ingress Ampli OSRI = OFF
Ingress Ampli Force Apr = OFF
Egress Ampli Mode = Gain
Egress Ampli Gain = 0.0 dB
Egress Ampli Tilt = 0.0 dB
Egress Ampli Safety Control mode = auto
Egress Ampli OSRI = OFF
Egress Ampli Force APR = OFF
Egress Ampli BR = ENABLE
```

Configured Parameters:

```
-----
Tx Voa Attenuation = 15.0 dB
Ingress Ampli Mode = Gain
Ingress Ampli Gain = 12.0 dB
Ingress Ampli Power = -1.0 dBm
Ingress Ampli Tilt = 0.0 dB
Ingress Ampli Gain Range = Normal
Ingress Ampli Safety Control mode = auto
Ingress Ampli OSRI = OFF
Ingress Ampli Force Apr = OFF
Egress Ampli Mode = Gain
Egress Ampli Gain = 16.0 dB
Egress Ampli Power = 5.0 dBm
Egress Ampli Tilt = 0.0 dB
Egress Ampli Safety Control mode = auto
Egress Ampli OSRI = OFF
Egress Ampli Force APR = OFF
Egress Ampli BR = ENABLE
BR High Threshold = -17.0 dBm
Rx Low Threshold = -3276.8 dBm
Tx Low Threshold = -3276.8 dBm
```

**Solution**

See [RX-LOC Alarm](#) to resolve this problem.

# Troubleshooting Power Oscillation in the Network

**Problem**

This problem occurs when there is a power oscillation in the network.

**Example 1**

The following example shows the power fluctuation in the network:

```
RP/0/RP0/CPU0:ios#show controllers ots0/0/0/0 pm current 30-sec optics 1
Tue Mar 28 16:02:22.332 UTC
```

```
Optics in the current interval [16:02:00 - 16:02:22 Tue Mar 28 2023]
```

```
Optics current bucket type : Valid
```

	MIN	AVG	MAX	Operational	Configured	TCA	Operational
Configured				Threshold(min)	Threshold(min)	(min)	Threshold(max)
OPT[dBm]	-50.00	-7.32	6.10	-20.00	NA	NO	40.00
NA		NO					
OPR[dBm]	-50.00	-50.00	-50.00	-30.00	NA	NO	18.00
NA		NO					
OPT(C+L) [dBm]	19.50	19.51	19.70	-20.00	NA	NO	60.85
NA		NO					
OPR(C+L) [dBm]	10.60	10.64	10.70	-30.00	NA	NO	36.00
NA		NO					
OPT(S) [dBm]	-50.00	-50.00	-50.00	-5.00	NA	NO	28.00
NA		NO					
OPR(S) [dBm]	-50.00	-50.00	-50.00	-30.00	NA	NO	18.00
NA		NO					
OPBR [dBm]	-50.00	-50.00	-50.00	-30.00	NA	NO	-14.09
NA		NO					
EAGN[dB]	0.00	0.00	0.00	16.00	NA	NO	31.00
NA		NO					
EATL[dB]	0.00	0.00	0.00	-5.00	NA	NO	5.00
NA		NO					
IAGN[dB]	0.00	0.00	0.00	12.00	NA	NO	25.00
NA		NO					
IATL[dB]	0.00	0.00	0.00	-5.00	NA	NO	5.00
NA		NO					

```
Last clearing of "show controllers OPTICS" counters never
```

**Solution**

You need to monitor the performance monitor statistics of the corresponding OTS and OTS-OCH controllers to determine where the power oscillation occurs in the network. Check for the transient alarms on the node, such as RX-LOC and RX-LOS-P. See [RX-LOS-P](#) and [RX-LOC Alarm](#) to resolve this problem.

# Troubleshooting Connection Verification Failures

## sysdb\_item\_set\_failed

The *sysdb\_item\_set\_failed* error message is a warning condition that the system reports when incorrect configurations are made during connection verification. This message appears for the following conditions:

1. [Tone Generation Already In Progress](#)
2. [Tone Generation Has Invalid Pattern](#)
3. [Tone Generation Has Invalid Frequency](#)
4. [Tone Generation Start Failed](#)
5. [Tone Detection Has Invalid Pattern-Expected](#)

### Error Message 1:

**sysdb\_item\_set\_failed('optics' detected the 'warning' condition 'Tone Generation Already In Progress')**

*Tone Generation Already In Progress* appears when an attempt was made to start tone generation on one controller without stopping the tone generation operation on another controller.

The following example shows that the tone generation is initiated on port 5 OTS controller (*ots0/0/0/5*) while tone generation on port 4 OTS controller (*ots0/0/0/4*) is still in progress.

### Example

```
RP/0/RP0/CPU0:ios#tone-pattern controller ots 0/0/0/4 start
Fri Sep 15 14:26:18.670 UTC
Tone pattern started
RP/0/RP0/CPU0:ios#tone-pattern controller ots 0/0/0/5 start
Fri Sep 15 14:27:20.418 UTC
sysdb_item_set_failed('optics' detected the 'warning' condition 'Tone Generation Already
In Progress')
```

### Solution

If you want to continue tone generation in the new OTS controller, then follow the following procedure to stop the tone generation that is already in progress.

1. Find the OTS controller that currently has tone generation in progress. To find, run the `show alarms brief system active` or `show alarms brief system conditions` command.

The following example shows that tone generation is active on the port 4 OTS controller.

### Example

```
RP/0/RP0/CPU0:ios#show alarms brief system active
Thu Nov 23 06:42:20.077 UTC
```

-----  
Active Alarms  
-----

Location	Severity	Group	Set Time	Description
0/PM1	Major	Environ	11/17/2023 04:11:37 UTC	Power Module Error (PM_VIN_VOLT_OOR)
0/PM1	Major	Environ	11/17/2023 04:11:37 UTC	Power Module Output Disabled (PM_OUTPUT_DISABLED)

```

0          Major      Environ      11/17/2023 04:11:37 UTC    Power Group
redundancy lost
0/RP0/CPU0 Minor      Software    11/17/2023 04:12:39 UTC    SW Upgrade is
still allowed as SIA Grace Period is remaining
0/0      Minor      Controller    11/23/2023 02:34:38 UTC    Ots0/0/0/4 -
Tone Generation In Progress
0/0          Critical   Controller   11/23/2023 06:41:07 UTC    Ots0/0/0/14 -
Loss of Signal - Payload

```

2. Stop the tone generation in that OTS controller. To stop, run the `tone-pattern controller ots 0/0/0/4 stop` command.

The following example shows that tone pattern generation is stopped on the port 4 OTS controller.

### Example

```

RP/0/RP0/CPU0:ios#tone-pattern controller ots 0/0/0/4 stop
Tue May 10 11:50:45.837 UTC
Tone pattern stopped

```

### Error Message 2:

**sysdb\_item\_set\_failed('optics' detected the 'warning' condition 'Tone Generation Has Invalid Pattern')**

The *Tone Generation Has Invalid Pattern* error message appears when an attempt was made to start the tone generation on the OTS controller without configuring the `tone-pattern` value for the controller.

The following example does not display `tone-pattern` for the `show run controller ots 0/0/0/4` command. Due to the absence of `tone-pattern`, the system reports the *Tone Generation Has Invalid Pattern* message.

### Example

```

RP/0/RP0/CPU0:ios#show run controller ots 0/0/0/33
Fri Nov 3 10:17:01.999 UTC
controller Ots0/0/0/33
tone-rate 25
tone-frequency 196
!

```

```

RP/0/RP0/CPU0:Enceladus_1#tone-pattern controller ots 0/0/0/33 start
Fri Nov 3 10:17:46.389 UTC
sysdb_item_set_failed('optics' detected the 'warning' condition 'Tone Generation Has Invalid Pattern')
RP/0/RP0/CPU0:ios

```

### Solution

Set the `tone-pattern` value for the OTS controller. To set, run the following command:

### Command Example

```

RP/0/RP0/CPU0:(config-Ots)#tone-pattern abcd1234
RP/0/RP0/CPU0:(config-Ots)#commit

```

### Error Message 3:



**sysdb\_item\_set\_failed('optics' detected the 'warning' condition 'Tone Generation Has Invalid Frequency')**

The *Tone Generation Has Invalid Frequency* error message appears when an attempt was made to start tone generation without configuring the `tone-frequency` value in the OTS controller.

The following example does not display `tone-frequency` for the `show run controller ots 0/0/0/4` command. Due to the absence of `tone-frequency`, the system reports the *Tone Generation Has Invalid Frequency* message.

**Example**

```
RP/0/RP0/CPU0:ios#show run controller ots 0/0/0/4
Fri Sep 15 14:37:03.381 UTC
controller Ots0/0/0/4
  tone-rate 2
  tone-pattern abcd1234
  tone-detect-oob
  tone-pattern-expected abcd1234
!

RP/0/RP0/CPU0:ios#tone-pattern controller ots 0/0/0/4 start
Fri Sep 15 14:37:41.777 UTC
sysdb_item_set_failed('optics' detected the 'warning' condition 'Tone Generation Has Invalid Frequency')
RP/0/RP0/CPU0:ios#
```

**Solution**

Set the `tone-frequency` value in out-of-band (OOB) frequency for the OTS controller. To set, run the following command:

**Command Example**

```
RP/0/RP0/CPU0:(config-Ots)#tone-frequency 191.175
RP/0/RP0/CPU0:(config-Ots)#commit
```

**Error Message 4:****sysdb\_item\_set\_failed('optics' detected the 'warning' condition 'Tone Generation Start Failed')**

The *Tone Generation Start Failed* error message appears when an attempt was made to start tone generation using an in-band frequency of a provisioned channel.

The following example shows that `tone-frequency` is configured for the `show run controller ots 0/0/0/33` command. However, the `tone-frequency` value that is configured is the central frequency (191.375) of the provisioned channel 1. Hence, the system reports the *Tone Generation Start Failed* message.

**Example**

```
RP/0/RP0/CPU0:ios#show hw-module location 0/0/NXR0 terminal-ampli
Fri Nov 3 10:31:25.329 UTC
```

**Legend:**

```
NXC      - Channel not cross-connected
ACTIVE  - Channel cross-connected to data port
ASE      - Channel filled with ASE
FAILED  - Data channel failed, pending transition to ASE
```

```
Location:          0/0/NXR0
```

```
Status:           Provisioned
```

```
Flex Grid Info
```

Channel Number	Centre Frequency (THz)	Channel Width (GHz)	Channel Status
Overlapping Channels			
1	191.375000	75.000	ACTIVE
- , 2			
2	191.435000	75.000	ASE
1 , -			

```
RP/0/RP0/CPU0:ios#show run controller ots 0/0/0/33
```

```
Fri Nov 3 10:38:44.414 UTC
controller Ots0/0/0/33
  tone-rate 25
  tone-pattern abcd1234
  tone-frequency 191.375
!
```

```
RP/0/RP0/CPU0:ios#tone-pattern controller ots 0/0/0/33 start
```

```
Fri Nov 3 10:39:03.532 UTC
sysdb_item_set_failed('optics' detected the 'warning' condition 'Tone Generation Start
Failed')
RP/0/RP0/CPU0:ios#
```

### Solution

Set the `tone-frequency` value in the out-of-band (OOB) frequency for the OTS controller. To set, run the following command:

### Command Example

```
RP/0/RP0/CPU0:(config-Ots)#tone-frequency 191.175
RP/0/RP0/CPU0:(config-Ots)#commit
```

### Error Message 5:

**sysdb\_item\_set\_failed('optics' detected the 'warning' condition 'Tone Detection Has Invalid Pattern-Expected')**

The *Tone Detection Has Invalid Pattern-Expected* error message appears when an attempt was made to start tone generation without configuring the expected tone pattern in the OTS, OMS, or OCH controller.

The following example shows the `show run controller ots 0/0/0/33` output without the `tone-pattern-expected` value. Due to the absence of `tone-pattern-expected`, the system reports the *Tone Detection Has Invalid Pattern-Expected* message.

### Example

```
RP/0/RP0/CPU0:ios#show run controller ots 0/0/0/33
Fri Nov 3 10:45:29.171 UTC
controller Ots0/0/0/33
  tone-rate 25
  tone-pattern abcd1234
  tone-frequency 191.375
!
```

```
RP/0/RP0/CPU0:ios#tone-pattern-detect controller ots 0/0/0/33 start
```

```
Fri Nov 3 10:46:01.585 UTC
sysdb_item_set_failed('optics' detected the 'warning' condition 'Tone Detection Has Invalid
Pattern-Expected')
RP/0/RP0/CPU0:ios#
```

### Solution

Set the `tone-pattern-expected` value on the controller that is expecting the tone pattern. In this example, the tone pattern is expected on the OTS controller. To set, run the following command:

## Command Example

```
RP/0/RP0/CPU0: (config-Ots) #tone-pattern-expected abcd1234
RP/0/RP0/CPU0: (config-Ots) #commit
```

## Failed to Commit One or More Configuration Items During a Pseudo-Atomic Operation.

The NCS 1020 CLI fails to commit connection verification configuration when an attempt was made to set an incorrect value or parameter on an OTS controller.

In the following examples, the *Failed to commit one or more configuration...* error message appears to indicate that controller configuration has failed.

### Example 1:

#### Example

```
RP/0/RP0/CPU0:ios#configure
Fri Sep 15 14:38:18.254 UTC
RP/0/RP0/CPU0:ios (config) #controller ots 0/0/0/4
RP/0/RP0/CPU0:ios (config-Ots) #tone-frequency 30
RP/0/RP0/CPU0:ios (config-Ots) #commit
Fri Sep 15 14:38:50.918 UTC
```

```
% Failed to commit one or more configuration items during a pseudo-atomic operation. All
changes made have been reverted. Please issue 'show configuration failed [inheritance]'
from this session to view the errors
```

### Solution 1:

Run the `show configuration failed` command to find the cause for the system to fail the OTS controller configuration.

#### Command

```
RP/0/RP0/CPU0:ios (config-Ots) #show configuration failed
Fri Sep 15 14:38:57.773 UTC
!! SEMANTIC ERRORS: This configuration was rejected by
!! the system due to semantic errors. The individual
!! errors with each failed configuration command can be
!! found below.
```

```
controller Ots0/0/0/4
  tone-frequency 30
!!% Invalid argument: Entered value not supported. Range supported by the platform is from
  191.175000 to 196.100000
!
end
```

The preceding output shows that an unsupported value is entered for `tone-frequency`. The output also suggests the frequency range (*191.175000...196.100000*) that the platform supports for connection verification.

### Example 2:

#### Example

```
RP/0/RP0/CPU0:ios#configure
Fri Sep 15 14:45:44.275 UTC
RP/0/RP0/CPU0:ios (config) #controller ots 0/0/0/4
RP/0/RP0/CPU0:ios (config-Ots) #tone-pattern ?
  LINE Enter Hex Values (Max Length 64 Bytes)
RP/0/RP0/CPU0:ios (config-Ots) #tone-pattern xxxxyyzzz
RP/0/RP0/CPU0:ios (config-Ots) #commit
```

```
Fri Sep 15 14:46:20.073 UTC
```

```
% Failed to commit one or more configuration items during a pseudo-atomic operation. All
changes made have been reverted. Please issue 'show configuration failed [inheritance]'
from this session to view the errors
```

### Solution 2:

#### Command

```
RP/0/RP0/CPU0:ios(config-Ots)#show configuration failed
Fri Sep 15 14:46:39.396 UTC
!! SEMANTIC ERRORS: This configuration was rejected by
!! the system due to semantic errors. The individual
!! errors with each failed configuration command can be
!! found below.

controller Ots0/0/0/4
  tone-pattern xxxyyyyzzz
!!% Invalid argument: invalid hex value,valid value is 0-9 a-f A-F
!
end
```

The preceding output shows that an unsupported value is entered for `tone-pattern`. The output also suggests the supported values for `tone-pattern`.

### Example 3:

#### Example

```
RP/0/RP0/CPU0:ios#configure
Fri Sep 15 15:14:36.131 UTC
RP/0/RP0/CPU0:ios(config)#controller och 0/3/0/1
RP/0/RP0/CPU0:ios(config-Och)#tone-detect-oob
RP/0/RP0/CPU0:ios(config-Och)#commit
Fri Sep 15 15:14:57.286 UTC
```

```
% Failed to commit one or more configuration items during a pseudo-atomic operation. All
changes made have been reverted. Please issue 'show configuration failed [inheritance]'
from this session to view the errors
```

### Solution 3:

#### Command

```
RP/0/RP0/CPU0:ios(config-Och)#show configuration failed
Fri Sep 15 15:15:06.219 UTC
!! SEMANTIC ERRORS: This configuration was rejected by
!! the system due to semantic errors. The individual
!! errors with each failed configuration command can be
!! found below.

controller Och0/3/0/1
  tone-detect-oob
!!% Invalid argument: Tone Detect OOB is not configurable for this controller
!
end
```

The preceding output informs that Tone Detect OOB is not configurable on OCH controllers. Configure OOB only on OMS controllers.

### Invalid Input Detected at '^' Marker

The *Invalid input detected at '^' marker* error message appears when an attempt was made to start tone generation on the OMS and OCH controllers. Tone generation must be initiated on the OTS controller. The OMS and OCH controllers should be used only to detect the tone that is generated from the OTS controller.

The following example shows the system reporting the *Invalid input detected at '^' marker* error message on the port 0 OMS controller (*oms 0/3/0/0*).

#### Example

```
RP/0/RP0/CPU0:ios#tone-pattern controller oms 0/3/0/0 start
                                     ^
% Invalid input detected at '^' marker.
RP/0/RP0/CPU0:ios#
```

The following example shows the system reporting the *Invalid input detected at '^' marker* error message on the port 1 OCH controller (*och 0/3/0/1*).

#### Example

```
RP/0/RP0/CPU0:ios#tone-pattern controller och 0/3/0/1 start
                                     ^
% Invalid input detected at '^' marker.
```

#### Solution

Use the OMS and OCH controllers for detecting the tone generation only. See for OCH and OMS controller syntax and parameters.

