



Remove and Replace Cisco NCS 1004 Modules

This chapter describes the procedures to replace Cisco NCS 1004 modules.



Caution All the modular slots in the NCS 1004 chassis should always be populated with respective modules (line-cards, controller, PSU & fan units). Empty line card slots to be populated with filler modules, which are shipped with the chassis. The replacement or upgrade of the modules (Online Insertion or Removal, OIR) to be performed only when the ambient temperature is below 30-degree C. The OIR of modules should be completed within five minutes to prevent overheating of the components.



WARNING: DO NOT INTRODUCE BODY OR OBJECT IN THE CHASSIS / PSU / FAN TRAY / LC SLOTS WHEN INSTALLING OR REMOVING A MODULE. EXPOSED CIRCUITRY IS AN ENERGY HAZARD.



ATTENTION: ÉVITEZ TOUT CONTACT ENTRE VOTRE CORPS OU UN OBJET EXTERNE ET L'INTÉRIEUR DU CHÂSSIS, DU BLOC D'ALIMENTATION, LA FENTE DE VENTILATION DU PLATEAU, OU DE LA FENTE PDS LORSQUE VOUS INSTALLEZ OU RETIREZ UN MODULE. LES CIRCUITS EXPOSÉS CONSTITUENT UN RISQUE D'ÉLECTROCUTION.

- [Remove and Replace a Line Card, on page 1](#)
- [Remove and Replace Power Supply Unit, on page 2](#)
- [Remove and Replace Controller, on page 5](#)
- [Remove and Replace Fan Unit, on page 6](#)
- [Wipe Data in Disk Using Secure Erase, on page 8](#)

Remove and Replace a Line Card



Caution The removal and replacement procedure for line card or filler module to be performed only when the ambient temperature is below 30-degree C and should be completed within five minutes to prevent overheating of the chassis components.

Step 1 Extract the Line card from the chassis.

- Step 2** Remove the line card and replace it with another line card. For the detailed line card installation procedure, see [Line Card Installation](#).
-

Remove and Replace Power Supply Unit

This task has information about removing and replacing the power supply units.

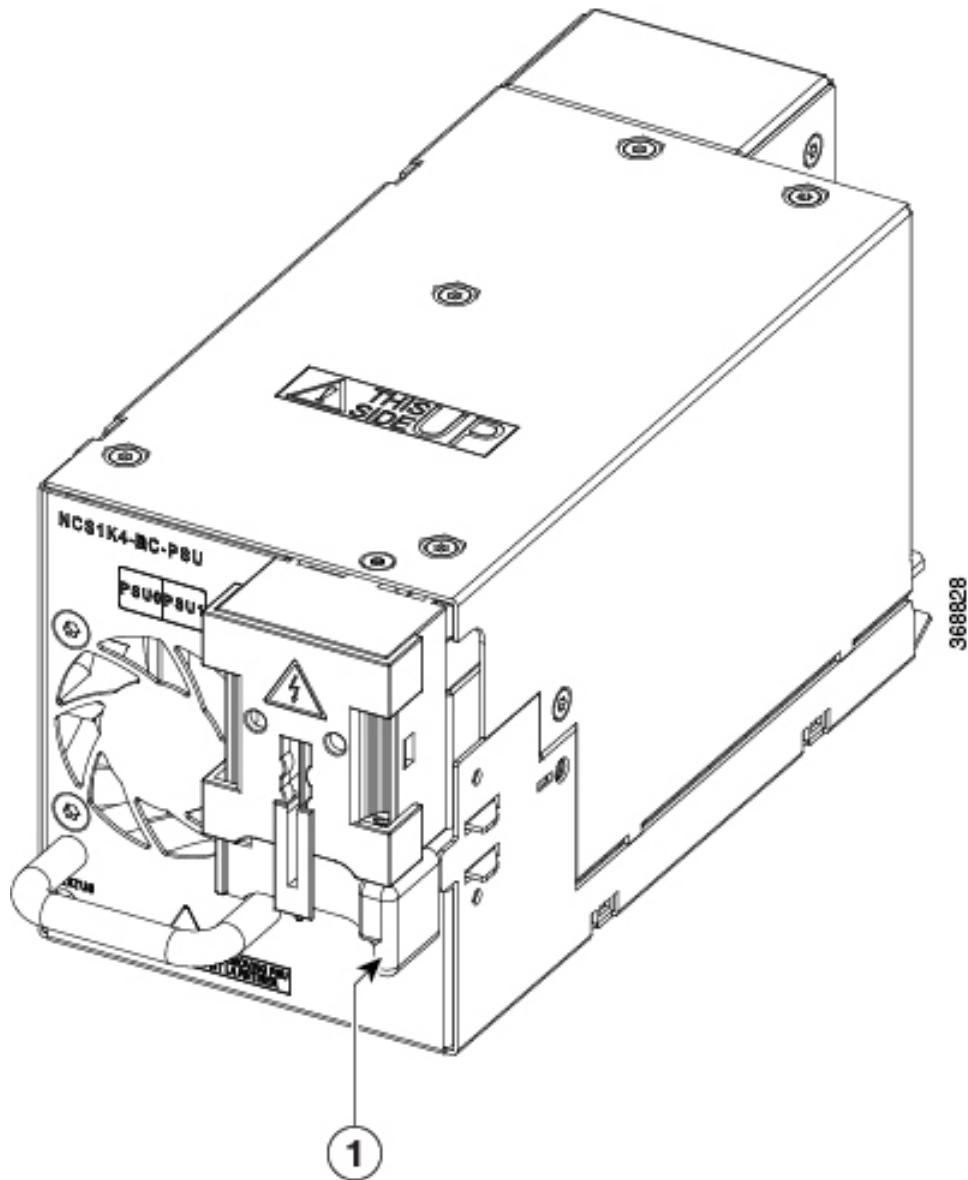
Before you begin

Remove the connections to the power supply:

- Disconnect power from the breaker before disconnecting power from the power supply unit.
 - Remove the cable retainers and the power cables, in case of an AC power supply unit.
 - Remove the protection covers, fasteners and lugs, in case of a DC power supply.
-

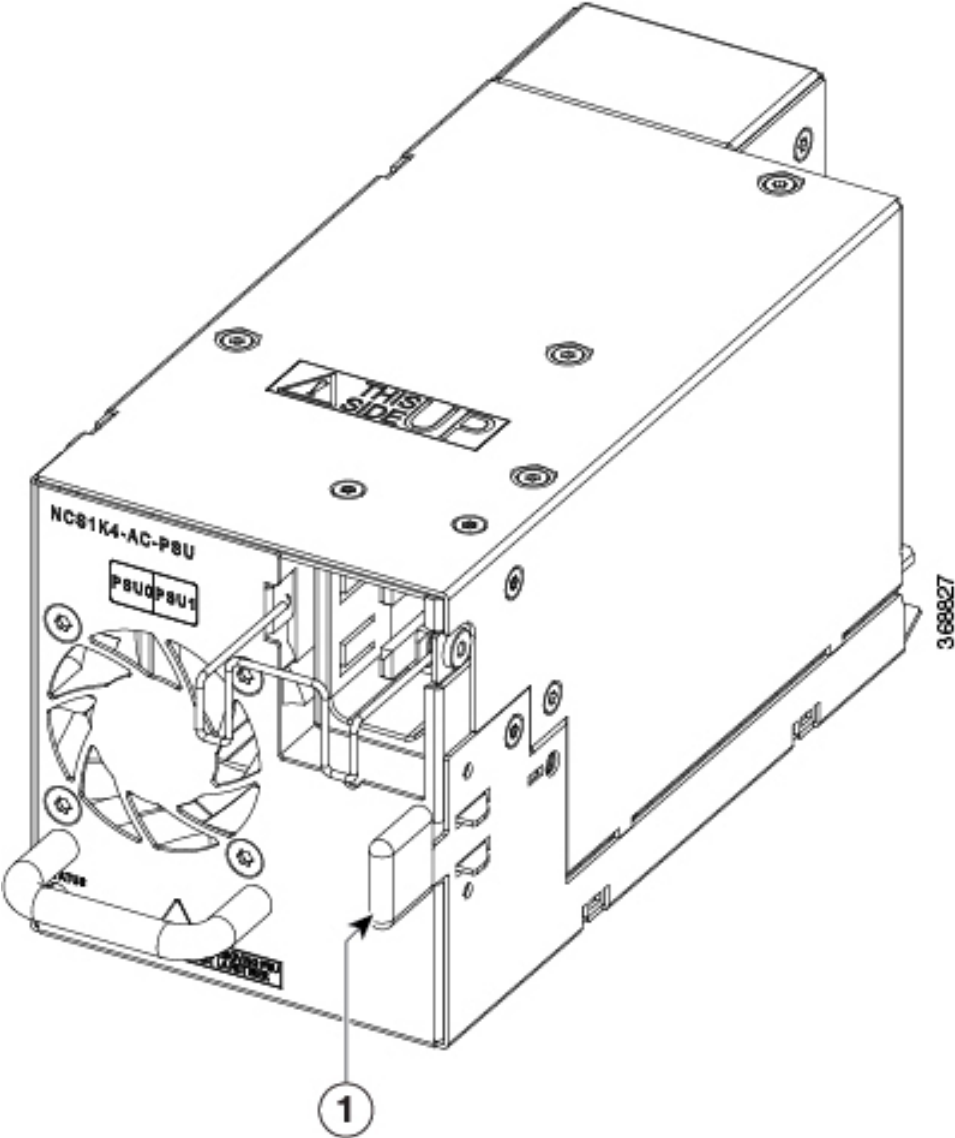
- Step 1** Press the locking latch towards the left to release the lock.

Figure 1: Locking Latch on the DC PSU



1	Locking latch
---	---------------

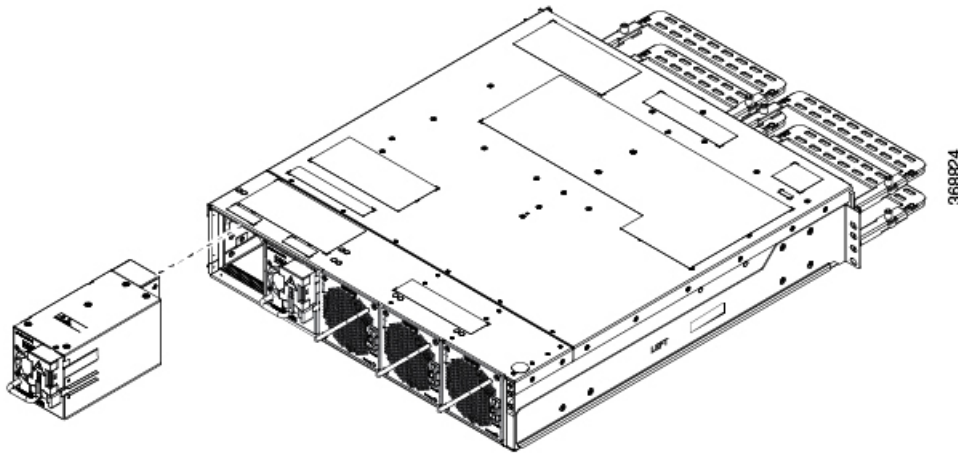
Figure 2: Locking Latch on the AC PSU



1	Locking latch
---	---------------

Step 2 Using the handle with one hand and supporting the PSU with the other, gently pull out the PSU from the slot.

Figure 3: Removing the Power Supply Unit



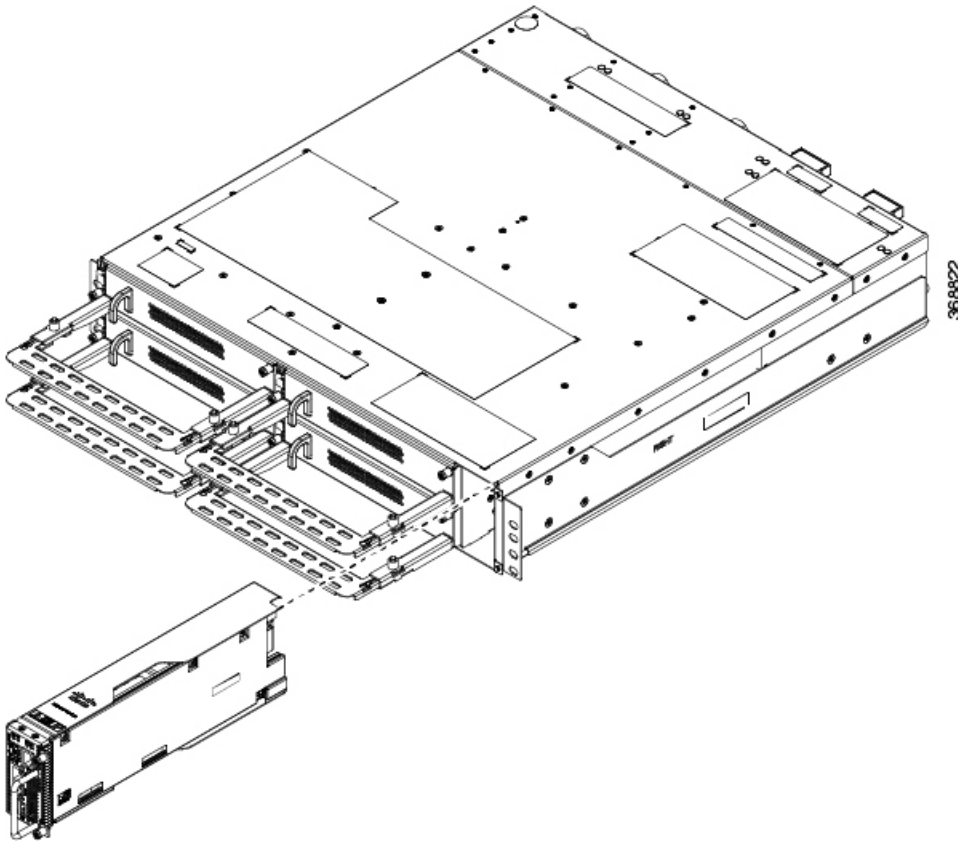
For replacing the PSU, see [Power Supply](#).

Remove and Replace Controller

This procedure has details about removing and replacing the controller.

-
- Step 1** Using a Torx screwdriver, unfasten the two screws on the controller.
- Step 2** Using the handle with one hand, and supporting the controller with the other, gently remove the controller from the slot.

Figure 4: Removing the Controller

**What to do next**

For replacing the controller, see [Install Controller](#).

Remove and Replace Fan Unit

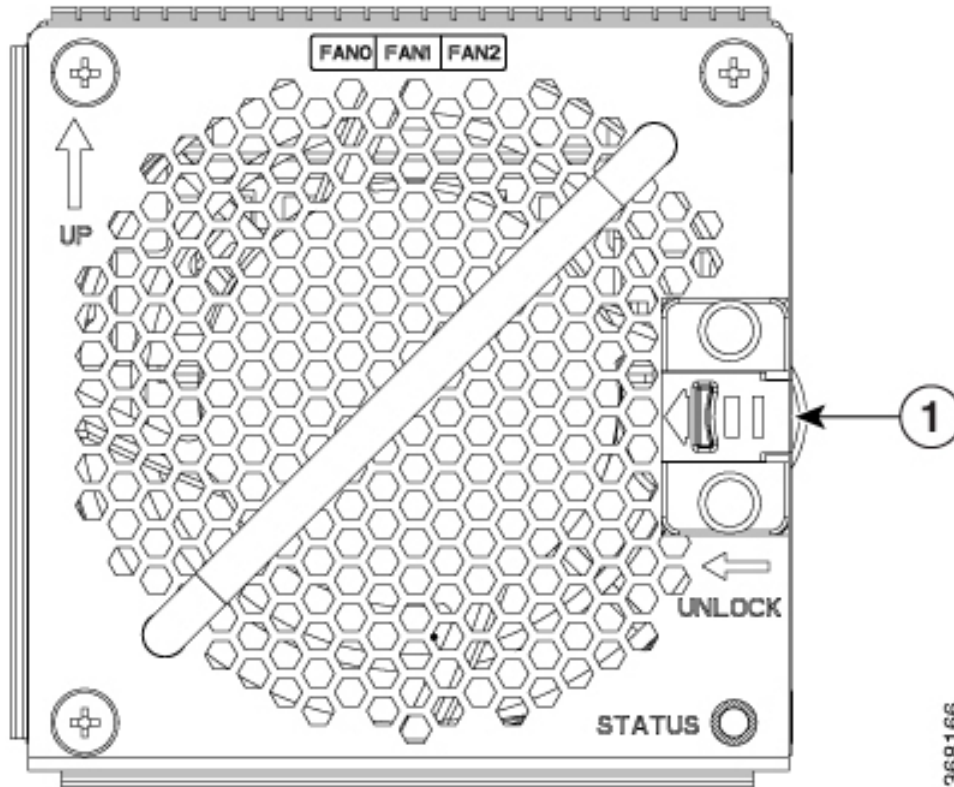
This task has information about removing and replacing the fan unit.



Caution OIR duration for the fan tray unit at 30-degree C ambient temperature, is five minutes.

Step 1 Push and hold the spring-loaded lever towards the left with your thumb (unlock position).

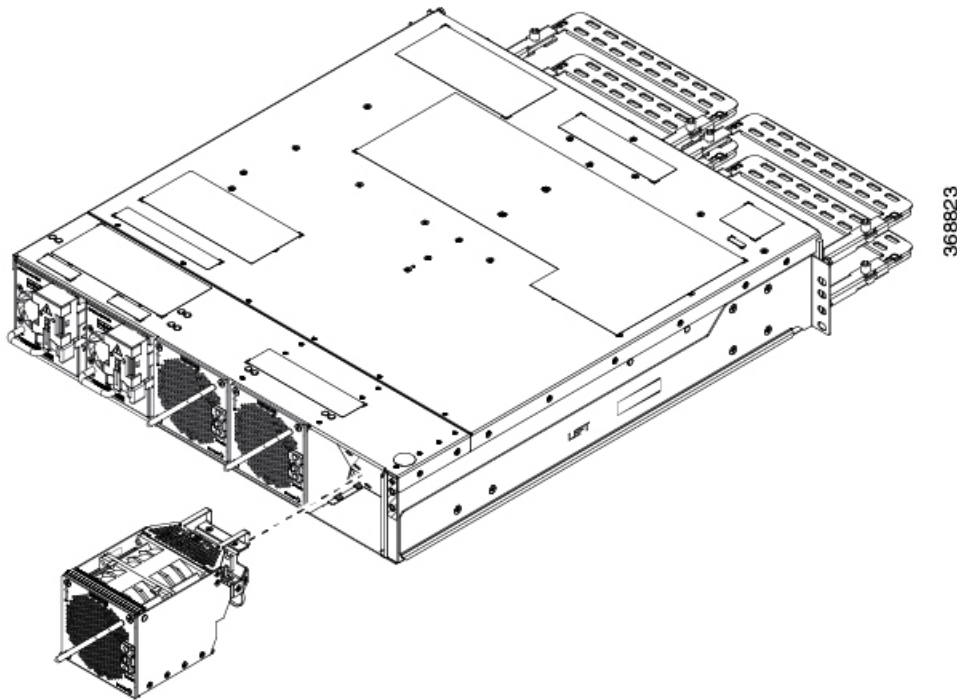
Figure 5: Spring-loaded Lever in Holding or Unlock Position



1	Spring-loaded lever
---	---------------------

Step 2 Use the handle on the fan unit to pull the fan unit out of the chassis, while supporting it with the other hand.

Figure 6: Removing the Fan Unit

**What to do next**

For replacing the fan unit, see [Install Fan Unit](#).

Wipe Data in Disk Using Secure Erase

When NCS 1004 becomes faulty, contact TAC to open a Return Material Authorization (RMA) request. Before opening a RMA request, the user can securely erase data in NCS 1004 disks using the Secure Erase feature.



Warning Use this procedure only during RMA.

Before you begin

The NCS 1004 unit that is planned for RMA must be taken out of the data center and the network. The user must access NCS 1004 only using the console port.

Step 1 When NCS 1004 boots (power cycle), the following message appears.

```
Version 2.19.1266. Copyright (C) 2019 American Megatrends, Inc.
BIOS Date: 07/09/2019 14:44:28 Ver: 0ACHI420
```


Press or <ESC> to enter setup.
Press DEL or ESC key to enter BIOS.

Press DEL or ESC key to enter BIOS.

Step 2 Select the **Advanced** tab using the arrow keys.

The disk security details such as HDD Secure Erase are displayed in the Advanced tab.

Step 3 Select **HDD Secure Erase** to securely erase data.

The list of SSDs that support Secure Erase is displayed. D:13 is CPU SSD and D:14 is Chassis SSD.

Step 4 Select the SSD from which you want to erase data using the arrow keys.

Step 5 Select **Yes** in the Confirmation screens.

The system proceeds to securely erase data in the selected SDD after these confirmations.

Wipe Data in Disk Using Secure Erase