

Cisco 1218 MHz GainMaker High Gain Dual System Amplifier

Contents

Features	3
Specifications	4
Ordering information	9
Cisco Capital	11

Consumer bandwidth demand continues to grow at a rapid rate every year. As a result, cable operators with DOCSIS-based equipment will need to future proof their networks. They want to plan for reduced service group sizes and ultimately double or quadruple (or more) bandwidth speeds. The Cisco 1218 MHz GainMaker® High Gain Dual (HGD) System Amplifier helps to make these demands a reality. The Cisco 1218 MHz GainMaker® High Gain Dual (HGD) System Amplifier (Figure 1) provides two high-level forward RF outputs (main and auxiliary), with the option to create a third RF output by using an optional plug-in auxiliary path signal director.

Cisco 1218 MHz GainMaker system amplifier modules have increased gain to allow drop in for 750, 870, and 1002 MHz spacing, and are mechanically compatible with previous Cisco GainMaker, System Amplifier II, II+, and III housing bases, often allowing upgrades to higher bandwidth with no respacing or resplicing. The DC power supply is modular and located in an updated housing lid for easy access. All Cisco 1.2GHz GainMaker system amplifier modules are factory configured with reverse amplifier, diplex filters, thermal compensation circuit, forward interstage pads, and equalizer to promote optimal performance. Optional single-pilot Automatic Gain Control (AGC) configurations are also available.



Figure 1.
Cisco 1218 MHz GainMaker High Gain Dual (HGD) System Amplifier

Features

- High-performance Gallium Nitride (GaN) gain stage technology.
- Plug-in accessories that are common to all Cisco 1218 MHz GainMaker amps and Cisco GS7000 products (that is, attenuator pads, diplexers, and crowbar).
- Amplifier housing that provides access to RF test points without opening the housing.
- Spring-loaded seizure assemblies allow coaxial connectors to be installed or removed without removing amplifier RF module.
- Power supply mounted in housing lid for efficient thermal dissipation (60- and 90-VAC powering capability)
- 15A current capacity (steady state) and 25A surge survivability
- Quadrature Amplitude Modulation (QAM) pilot AGC available (optional)
- AGC with thermal backup, which eliminates disruptive RF output variation in the event of pilot loss

- Reverse input pad and RF test point for each reverse input port to allow optimum reverse path design and alignment
- Surge-resistant circuitry that helps ensure gain stage protection without fuses or other failure-causing devices.

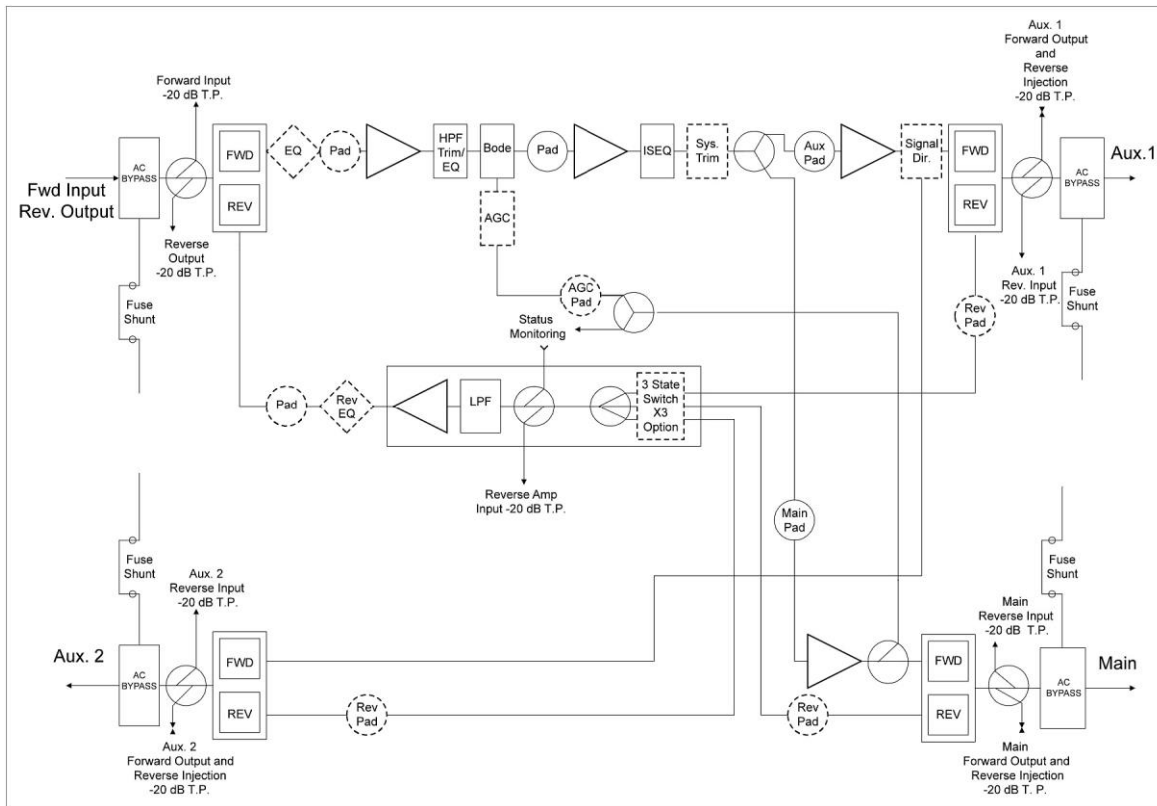


Figure 2. Block Diagram of Cisco 1218 MHz GainMaker High Gain Dual (HGD) System Amplifier

Specifications

Table 1. General Station Performance

General Station Performance	Units	Forward	Reverse	Notes
Pass band	MHz	54-1218	5-204	
Amplifier type	-	GaN	GaAs HBT	
Frequency response	dB	± 0.5	± 0.5	
Auto slope and gain range	dB	± 5.8	-	
Return loss	dB	16	16	7
Maximum AC through current (continuous)	Amps	15	-	
Maximum AC through current (surge)	Amps	25	-	
Hum modulation at 12A	dB	70 (54-870 MHz)	60 (5-25 MHz)	

General Station Performance	Units	Forward	Reverse	Notes
(over specified frequency range)		60 (870–1218 MHz)	70 (25–42 MHz)	
Hum modulation at 15A (over specified frequency range)	dB	65 (54–870 MHz) 60 (870–1218 MHz)	60 (5–25 MHz) 65 (25–42 MHz)	
Test points (± 0.75 dB)	dB	-20	-20	
Reference output level at	dBmV	1218MHz	35 (at 42 MHz)	
1002 MHz		58.0		
870 MHz		54.7		
750 MHz		52.7		
650 MHz		50.8		
550 MHz		49.3		
258 MHz		47.8		
105MHz		43.3		
86 MHz		41.0		
54 MHz	40.7	35 (at 5 MHz)		
Reference output tilt	dB	(54-1218 MHz)	-	1
(86-1218 MHz)		17.8		
(105-1218 MHz)		17.3		
(258-1218 MHz)		17.0		
		14.7		

Table 2. Forward Station Performance

Forward Station Performance	Units	Auto/Thermal with 13.5 dB I/S EQ	Notes
Operational gain (minimum)	dB	48	2
Internal tilt (± 0.5 dB) at 54 - 1218 MHz	dB	19.0	3
Noise figure at 54, 65, 105, 258 MHz	dB	8.5	2
Noise figure at 1218MHz	dB	8.0	2
Composite triple beat	dBc	66	4, 9

Forward Station Performance	Units	Auto/Thermal with 13.5 dB I/S EQ	Notes
Cross modulation	dBc	63	4, 5, 9
Composite second order (high side)	dBc	66	4, 9
Composite Intermodulation Noise (CIN)	dBc	50	4, 8, 9,10

Unless otherwise noted, specifications reflect typical performance and are referenced to 68°F (20°C). Specifications are based upon measurements made in accordance with SCTE/ANSI standards (where applicable), using standard frequency assignments.

Table 3. Reverse Station Performance

Reverse Station Performance	Units		Notes
Operational gain (minimum) at 42 MHz	dB	21.6	6, 7
Operational gain (minimum) at 65 MHz	dB	22.7	6, 7
Operational gain (minimum) at 85 MHz	dB	23.8	6, 7
Operational gain (minimum) at 204 MHz	dB	27.2	6, 7
Internal tilt (± 0.5 dB)	dB	0	3
Noise figure	dB	11	6, 7
NPR at 50 dB CNR at 42MHz	dB	20	
NPR at 50 dB CNR at 65 MHz	dB	19	
NPR at 50 dB CNR at 85 MHz	dB	15	
NPR at 50 dB CNR at 204 MHz	dB	11.5	

Table 4. Station Delay Characteristics

Station Delay Characteristics (42/54)			
Forward (Chrominance to Luminance Delay)		Reverse (Group Delay in 1.5 MHz bandwidth)	
Frequency (MHz)	Delay (ns)	Frequency (MHz)	Delay (ns)
55.25 to 58.83	39	5.0 to 6.5	60
61.25 to 64.83	25	6.5 to 8.0	22
67.25 to 70.83	17	8.0 to 9.5	12

Station Delay Characteristics (42/54)

Forward (Chrominance to Luminance Delay)		Reverse (Group Delay in 1.5 MHz bandwidth)	
77.25 to 80.83	10	37.5 to 39.0	20
		39.0 to 40.5	32
		40.5 to 42.0	50

Station Delay Characteristics (65/86)

Forward (Chrominance to Luminance Delay)		Reverse (Group Delay in 1.5 MHz bandwidth)	
Frequency (MHz)	Delay (ns)	Frequency (MHz)	Delay (ns)
112.25 to 116.68	8	5.0 to 6.5	60
119.25 - 123.68	7	6.5 to 8.0	22
126.25 - 130.68	6	8.0 to 9.5	12
133.25 - 137.68	6	60.5 – 62.0	10
		62.0 – 63.5	17
		63.5 – 65.0	21

Station Delay Characteristics (85/105)

Forward (Chrominance to Luminance Delay)		Reverse (Group Delay in 1.5 MHz bandwidth)	
Frequency (MHz)	Delay (ns)	Frequency (MHz)	Delay (ns)
109.275 to 112.855	25	5.0 to 6.5	60
115.275 to 118.855	15	6.5 to 8.0	22
121.2625 to 124.8425	10	8.0 to 9.5	12
127.2625 to 130.8425	5	80.5 to 82.0	10
		82.0 to 83.5	17
		83.5 to 85.0	21

Station Delay Characteristics (204/258)			
Forward (Chrominance to Luminance Delay)		Reverse (Group Delay in 1.5 MHz bandwidth)	
Frequency (MHz)	Delay (ns)	Frequency (MHz)	Delay (ns)
259.2625 - 262.8425	10	5.0 to 6.5	60
265.2625 - 268.8425	8	6.5 to 8.0	22
271.2625 - 274.8425	7	8.0 to 9.5	12
277.2625 - 280.8425	5	199.5 – 201	6
		201 – 202.5	5
		202.5 – 204	8

Table 5. Station Powering Data

Station Powering Data														
Cisco GainMaker HGD System Amplifier	I DC (Amps)		AC Voltage											
			90	85	80	75	70	65	60	55	50	45	40	35
Thermal	1.42	AC current (A)	0.66	0.67	0.65	0.65	0.64	0.65	0.74	0.79	0.85	0.94	1.05	1.22
		Power (W)	39.2	38.9	38.7	38.7	38.6	38.6	38.6	38.6	38.6	38.7	38.8	39.2
AGC	1.47	AC current (A)	0.67	0.68	0.67	0.67	0.66	0.67	0.76	0.81	0.88	0.97	1.10	1.26
		Power (W)	40.5	40.2	40.2	40.1	39.9	39.9	39.9	39.9	40.0	40.1	40.2	40.6

Data is based on stations configured for two-way operation. AC currents specified are based on measurements made with typical CATV type ferroresonant AC power supply (quasi-square wave), and Cisco GainMaker High Output System Amplifier power supply (2.5A, 24 VDC, part number 4022846).

DC supply has a user configurable 30V, 40V, or 50 VAC under voltage lockout circuit. Default setting is 30V, 40V, or 50 VAC. Under-voltage lockout may be selected by changing the position of the lockout jumper.

Notes:

1. Reference output tilt is specified as "LINEAR" tilt (as opposed to "cable" tilt).
2. Forward gain and noise figure measured with 0 dB input EQ and 1 dB input pad.
3. Down tilt, the effect of cable, is represented by a negative sign (-). Up tilt, the effect of equalization is represented by a plus sign (+).
4. Mixed loading of 79 analog channels (54 – 554MHz) and SC-QAM's (554- 1218MHz) with 6dB back-off
5. X-mod (at 15.75 kHz) specified using 100 percent synchronous modulation and frequency selective measurement device.

6. Reverse gain and noise figure for station with 0 dB reverse input pad, 0 dB reverse output EQ, and 1 dB output pad.
7. Reverse operational gain, noise figure, and return loss are specified without reverse switch option. If switch is installed, reduce gain by 0.5 dB, increase noise figure by 0.5 dB, and decrease return loss by 1 dB.
8. Composite intermodulation noise is a broadband noise-like distortion product associated with QAM loading.
9. Distortion performance at reference output levels and tilt. Contact Cisco Systems Engineering for CIN calculation.
10. CIN spec number is the same for both all QAM and mixed analog loading

Table 6. Physical Specifications

Environmental	
Operating temperature range	-40 - 140°F (-40 - 60°C)
Mechanical	
Housing dimensions (L x H x D)	17.3 in. x 7.2 in. x 7.8 in. (439.4 mm x 182.9 mm x 198.1 mm)
Weight	
<ul style="list-style-type: none"> • Housing with power supply • Module 	12 lb, 5 oz (5.6 kg) 5 lb, 5 oz (2.4 kg)

Unless otherwise noted, specifications reflect typical performance and are referenced to 68°F (20°C). Specifications are based on measurements made in accordance with SCTE/ANSI standards (where applicable), using standard frequency assignments.

Ordering information

The Cisco GainMaker HGD System Amplifier is available in a wide variety of configurations. Table 8 contains the configured PIDs for the High Gain Dual Amplifiers. Table 8 and Table 9 contain ordering information for required and optional accessories. Consult with your account representative, customer service representative, or systems engineer to determine the best configuration for your particular application.

Table 7. Cisco GainMaker High Gain Dual (HGD) Amp Configurations

Cisco GainMaker 1.2-GHz HGD Amp Configurations	Part Number for Ordering
42/54 MHz Split	
GMSA 1.2 GHz, HGD, 42/54, CB, PS, CTD HSG, TPA, Thermal	GMSADS4THXXXXXXXXXX
GMSA 1.2 GHz, HGD, 42/54, CB, Launch Amp, Thermal	GMSADS4TXXXXXXXXXX
GMSA 1.2 GHz, HGD, 42/54, CB, PS, CTD HSG, TPA, QAM AGC 711 MHz	GMSADS45HXXXXXXXXXX
GMSA 1.2 GHz, HGD, 42/54, CB, Launch Amp, QAM AGC 711 MHz	GMSADS45XXXXXXXXXX
GMSA 1.2 GHz, HGD, 85/102, CB, PS, CTD HSG, TPA, Thermal	GMSADS8THXXXXXXXXXX
GMSA 1.2 GHz, HGD, 85/102, CB, Launch Amp, Thermal	GMSADS8TXXXXXXXXXX
GMSA 1.2 GHz, HGD, 85/102, CB, PS, CTD HSG, TPA, QAM AGC 711 MHz	GMSADS85HXXXXXXXXXX
GMSA 1.2 GHz, HGD, 85/102, CB, Launch Amp, QAM AGC 711 MHz	GMSADS85XXXXXXXXXX

Cisco GainMaker 1.2-GHz HGD Amp Configurations	Part Number for Ordering
GMSA 1.2 GHz, HGD, 65/86, CB, PS, CTD HSG, TPA, Thermal	GMSADS6THXXXXXXXXXX
GMSA 1.2 GHz, HGD, 65/86, CB, Launch Amp, Thermal	GMSADS6TXXXXXXXXXX
GMSA 1.2 GHz, HGD, 65/86, CB, PS, CTD HSG, TPA, QAM AGC 711 MHz	GMSADS65HXXXXXXXXXX
GMSA 1.2 GHz, HGD, 65/86, CB, Launch Amp, QAM AGC 711 MHz	GMSADS65XXXXXXXXXX
GMSA 1.2 GHz, HGD, 204/258, CB, PS, CTD HSG, TPA, Thermal	GMSADS2THXXXXXXXXXX
GMSA 1.2 GHz, HGD, 204/258, CB, Launch Amp, Thermal	GMSADS2TXXXXXXXXXX
GMSA 1.2 GHz, HGD, 204/258, CB, PS, CTD HSG, TPA, QAM AGC 711 MHz	GMSADS25HXXXXXXXXXX
GMSA 1.2 GHz, HGD, 204/258, CB, Launch Amp, QAM AGC 711 MHz	GMSADS25XXXXXXXXXX

Table 8. Required Accessories

Required Accessories	Part Number
<p>Plug-in Pads (attenuators): Available in 1.0 dB steps from 0 to 20 dB</p> <ul style="list-style-type: none"> • 1 required for forward input • 1 required for AGC, if applicable * • 4 required for reverse (3 input, 1 output) <p>*To determine AGC pad value, subtract 34 dB from the design value main port RF output level at the AGC pilot frequency.</p>	<p>GM-PAD-1.2G-00= and GM-PAD-1.2G-1.0 sequentially through GM-PAD-1.2G-20.0=</p>
<p>Plug-in Forward Cable Equalizer: Available in 1.5 dB steps from 0 to 30 dB at 1002 MHz</p> <ul style="list-style-type: none"> • 1 required for forward input 	<p>GM-EQC-1.2G-0= and GM-EQC-1.2G-1.5 sequentially through GM-EQC-1.2G-30=</p>
<p>Plug-in Reverse Cable Equalizer: Available in 1 dB steps from 0 to 12 dB at 42 MHz</p> <ul style="list-style-type: none"> • 1 required for reverse output, unless design value is 0 dB (0 dB EQ is provided) 	<p>712719 (0 dB) and 589628 (1dB) sequentially thru 589639 (12 dB) – 40 MHz 589736 (1 dB) sequentially thru 589747 (12 dB) – 65 MHz 4036769 (1 dB) sequentially thru 4036780 (12 dB) – 85 MHz GM-EQREV-204M-1= (1 dB) sequentially thru GM-EQREV-204M-12= (12 dB) – 204 MHz</p>
<p>Plug-in Signal Director for Auxiliary output: 1 required, chose from the following:</p> <ul style="list-style-type: none"> • Jumper • Two-Way Splitter • DC-8 Directional Coupler • DC-12 Directional Coupler 	<p>GM-SD-1.2G-JMP= GM-SD-1.2G-SPLT= GM-SD-1.2G-DC8= GM-SD-1.2G-DC12=</p>

The optional accessories listed in Table 8 can be ordered separately.

Table 9. Optional Accessories

Optional Accessories	Part Number
24V Power Supply for Cisco GainMaker AMPs	GM-PS-HO=
230 VAC Crowbar Surge Protector (plug-in, one per station)	715973
Plug-in Inverse Equalizer: Simulates cable equivalent tilts (creates tilt opposite that of equalizers). Use in place of forward input EQ as needed to maintain proper output tilt in short spaced locations. Available in 1.5dB cable-equivalent steps from 1.5 to 21.0dB	GM-EQIN-1.2G-1.5= sequentially thru GM-EQIN-1.2G-21=
Long Reach Test Point Adapter	562580
Cisco GainMaker SA HGD Split Kit 85/105 MHz (PKG OF 10)	GMSA-SKT-1.2G-85=
Cisco GainMaker SA HGD Split Kit 204/258 MHz (PKG OF 10)	GMSA-SKT-1.2G-204=
Cisco GainMaker 1.2 GHz Amplifier Housing	GMSA-HSG-1.2G=

Cisco Capital

Flexible payment solutions to help you achieve your objectives

Cisco Capital makes it easier to get the right technology to achieve your objectives, enable business transformation and help you stay competitive. We can help you reduce the total cost of ownership, conserve capital, and accelerate growth. In more than 100 countries, our flexible payment solutions can help you acquire hardware, software, services and complementary third-party equipment in easy, predictable payments. [Learn more.](#)

Cisco

1 800 722-2009 or 678 277-1120

<https://www.cisco.com/>

Americas Headquarters

Cisco Systems, Inc.
San Jose, CA

Asia Pacific Headquarters

Cisco Systems (USA) Pte. Ltd.
Singapore

Europe Headquarters

Cisco Systems International BV Amsterdam,
The Netherlands

Cisco has more than 200 offices worldwide. Addresses, phone numbers, and fax numbers are listed on the Cisco Website at <https://www.cisco.com/go/offices>.

Cisco and the Cisco logo are trademarks or registered trademarks of Cisco and/or its affiliates in the U.S. and other countries. To view a list of Cisco trademarks, go to this URL: <https://www.cisco.com/go/trademarks>. Third-party trademarks mentioned are the property of their respective owners. The use of the word partner does not imply a partnership relationship between Cisco and any other company. (1110R)