



# NEC IPX2400 PBX with Cisco 3845 T1 QSIG as an MGCP Gateway to Cisco Unified CallManager 4.2 and Cisco Emergency Responder 1.

## Disclaimer for Cisco Emergency Responder Documentation

THE SPECIFICATIONS AND INFORMATION REGARDING THE PRODUCTS IN THIS DOCUMENT ARE SUBJECT TO CHANGE WITHOUT NOTICE. ALL STATEMENTS, INFORMATION, AND RECOMMENDATIONS IN THIS DOCUMENT ARE BELIEVED TO BE ACCURATE BUT ARE PRESENTED WITHOUT WARRANTY OF ANY KIND, EXPRESS OR IMPLIED. USERS MUST TAKE FULL RESPONSIBILITY FOR THEIR APPLICATION OF ANY PRODUCTS.

THE CUSTOMER ASSUMES ALL RESPONSIBILITY FOR PROPERLY CONFIGURING THE CISCO EMERGENCY RESPONDER. CISCO HEREBY DISCLAIMS ANY AND ALL LIABILITY ARISING FROM OR IN CONNECTION WITH A USERS INABILITY TO REACH EMERGENCY SERVICE RESPONDERS (INCLUDING INABILITY TO ACCESS A PUBLIC SAFETY ANSWERING POINT) OR THE INABILITY OF EMERGENCY SERVICE RESPONDERS TO IDENTIFY A USERS LOCATION. CISCO STRONGLY RECOMMENDS THAT ALL CUSTOMERS VERIFY AND TEST CONFIGURATION OF THE CISCO EMERGENCY RESPONDER IMMEDIATELY FOLLOWING INITIAL CONFIGURATION AND ON A PERIODIC BASIS THEREAFTER. CISCO FURTHER RECOMMENDS THAT ALL CUSTOMERS PROVIDE ADEQUATE TRUNK AND BANDWIDTH CAPACITY TO ENSURE THAT AUDIO PATHS ARE AVAILABLE FOR EMERGENCY CALLS.

IN NO EVENT SHALL CISCO OR ITS SUPPLIERS BE LIABLE FOR ANY INDIRECT, SPECIAL, CONSEQUENTIAL, OR INCIDENTAL DAMAGES, INCLUDING, WITHOUT LIMITATION, LOST PROFITS OR LOSS OR DAMAGE TO DATA ARISING OUT OF THE USE OR INABILITY TO USE THIS PRODUCT, EVEN IF CISCO OR ITS SUPPLIERS HAVE BEEN ADVISED OF THE POSSIBILITY OF SUCH DAMAGES.

## Table of Contents

- Introduction ..... 2
- Network Topology..... 3
- Limitations..... 3
- System Components ..... 3
  - Hardware Requirements ..... 3
  - Software Requirements ..... 3
- Features ..... 4
- Configuration..... 5
  - Cisco Unified CallManager Configuration..... 5
  - Cisco Emergency Responder Configuration..... 52
  - NEC IPX2400 Configuration ..... 73
- Acronyms ..... 76

Note: Cisco CallManager is now known as Cisco Unified CallManager in release 4.0 and later releases.



## Introduction

The following is an Application Note for Interoperability of a Cisco Unified CallManager 4.2, Cisco Emergency Responder 1.3 and Cisco 3845 with CAMA interface and T1-QSIG trunk with a NEC IPX2400 PBX interconnected via VWIC-2MFT-T1

Test emergency 911 call from a PBX digital station was routed to the T1 QSIG trunk, of the Cisco 3845 MGCP gateway, and was correctly associated to the appropriate Emergency Response Location. The call was connected through the Cisco 3845 CAMA trunk to the PSAP Emulator. The Emergency Response Location associated the ten digit DID call back number (ELIN) correctly and sent it to the PSAP, audio connection was also achieved. The PBX digital station was then disconnected.

A return call was originated from an incoming trunk (PSTN side) in the same Cisco Unified CallManager Partition. The number dialed was the DID digits of the 10 digit call back number sent to the PSAP on the previous 911 call (ELIN number). The call was routed through to the PBX digital station that had originated the E911 call. The call was disconnected and an alternate trunk was used to dial the same DID number and the call was routed through, again, to the PBX digital station that had originated the E911 call.

Test emergency 911 calls were made from each PBX digital station and Cisco IP phone. All calls were confirmed to select its associated Emergency Response Location and the associated 10 digit DID call back number. In each case, the call was disconnected and the call back number was confirmed to reach the phone that had originated the E911 call.

Emergency 911 calls made from a NEC IPX2400 PBX utilizing a T1 QSIG trunk configured as ISO, associates with the correct Emergency Response Location and routes to the associated PSAP with the correctly formatted 10 digit DID call back number.

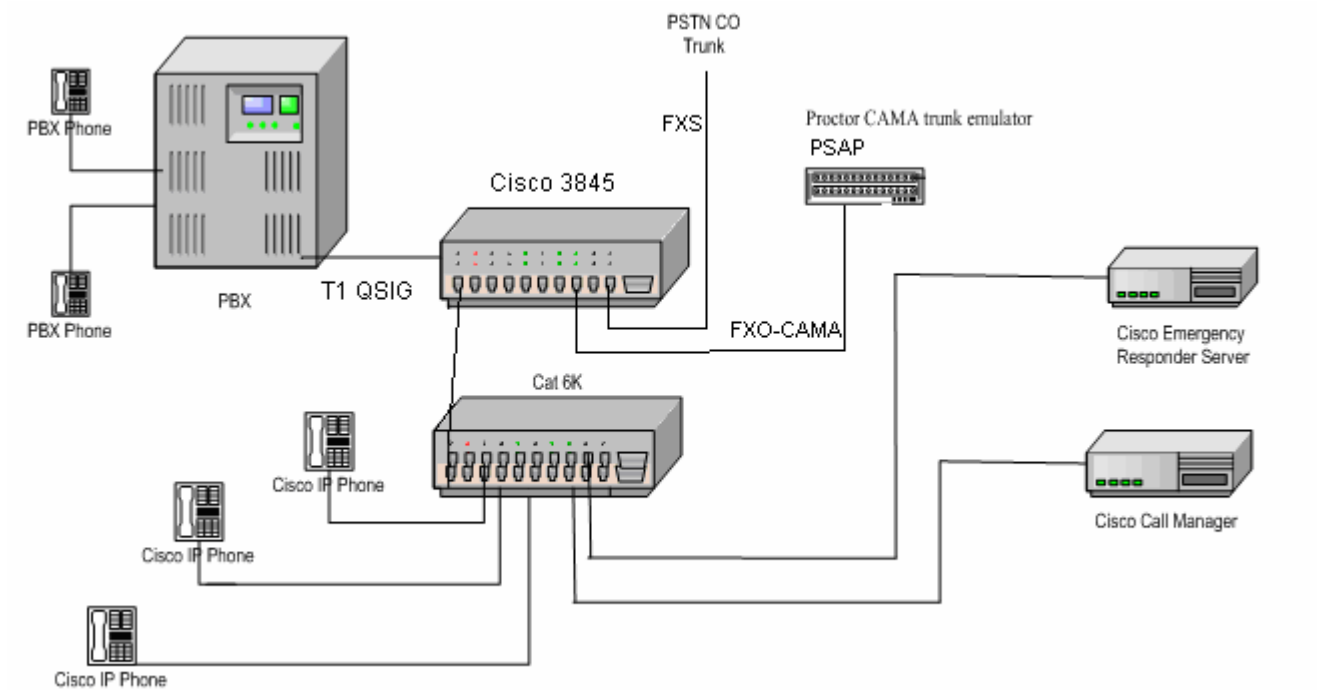
The call back DID number routes the return call to the correct phone that had originated the E911 call from the PBX digital phone.

Figure 1 shows the test set-up for interoperability between the Cisco Unified CallManager and Cisco Emergency Responder connected to the PBX via a T1 QSIG trunk using Cisco3845 MGCP Gateway.



## Network Topology

Figure 1. Network Topology or Test Setup



## Limitations

Unique DID numbers must be used to associate with each Emergency Response Location to allow the return call if the 911 caller is disconnected.

Each available calling party that might dial 911 from the PBX side must have that calling party number configured in the Manually Configured Phones screen of the Cisco Emergency Responder.

## System Components

### Hardware Requirements

#### Cisco Hardware

Cisco 3845 Gateway with NM-HD/VWIC-2MFT-T1 (QSIG trunk) and NM-HD-V2/VIC2-4FXO (CAMA trunk)

Cisco Catalyst 6x00 switch

Cisco Unified CallManager

Cisco Emergency Responder

NEC IPX2400 PBX

### Software Requirements

Cisco IOS Software releases "c3845-ipvoice-mz.123-14.T4".

PBX Software: Release 15



Cisco Unified CallManager 4.2 (0.839)

Cisco Emergency Responder 1.3 (0.105)

## Features

Calling Number

E911 ERL DID number passed to PSAP

Incoming DID calling to disconnected 911 originating caller



## Configuration

### Cisco Unified CallManager Configuration

#### Partitions

Cisco CallManager 4.2 Administration - Find and List Partitions - Microsoft Internet Explorer

File Edit View Favorites Tools Help

Back Forward Stop Home Search Favorites Media Print

Address <https://cm-guanatos/CCMAdmin/routepartitionlist.asp?findBy=name&match=begins&pattern=&submit1=Find&rows=20>

System Route Plan Service Feature Device User Application Help

**Cisco CallManager Administration**  
For Cisco IP Telephony Solutions

CISCO SYSTEMS

## Find and List Partitions

[Add a New Partition](#)

2 matching record(s) for Partition Name begins with ""

Find Partitions where Partition Name

and show  items per page

To list all items, click Find without entering any search text.

Matching record(s) 1 to 2 of 2

<input type="checkbox"/>	Partition Name	Description
<input type="checkbox"/>	E911	E911
<input type="checkbox"/>	Phones	Phones

Page  of 1



## Phone Partition

Cisco CallManager 4.2 Administration - Partition Configuration - Microsoft Internet Explorer

File Edit View Favorites Tools Help

Back Forward Stop Home Search Favorites Media Print

Address <https://cm-guanatos/CCMAdmin/routepartitionconfig.asp?iRoutePartition={5B78792A-3D92-42B8-A0AF-10B79BF0698E}>

System Route Plan Service Feature Device User Application Help

**Cisco CallManager Administration**  
For Cisco IP Telephony Solutions

CISCO SYSTEMS

# Partition Configuration

[Add a New Partition](#)  
[Back to Find/List Partitions](#)  
[Dependency Records](#)

**Partition: Phones**  
Status: Ready

Partition Name\*

Description

Time Schedule

Time Zone  Originating Device  
 Specific Time Zone

\* indicates required item



## E911 Partition

Cisco CallManager 4.2 Administration - Partition Configuration - Microsoft Internet Explorer

File Edit View Favorites Tools Help

Back Forward Stop Home Search Favorites Media Print

Address <https://cm-guanatos/CCMAdmin/routepartitionconfig.asp?RoutePartition={5B0D1030-FA7C-42F3-85C0-68BB48C723A7}>

System Route Plan Service Feature Device User Application Help

**Cisco CallManager Administration**  
For Cisco IP Telephony Solutions

CISCO SYSTEMS

# Partition Configuration

[Add a New Partition](#)  
[Back to Find/List Partitions](#)  
[Dependency Records](#)

**Partition: E911**  
Status: Ready

Partition Name\*

Description

Time Schedule

Time Zone  Originating Device  
 Specific Time Zone

\* indicates required item



## Calling Search Space

Cisco CallManager 4.2 Administration - Find and List Calling Search Spaces - Microsoft Internet Explorer

File Edit View Favorites Tools Help

Back Forward Stop Home Search Favorites Media Print

Address <https://cm-guanatos/CCMAdmin/callingsearchspacelist.asp?findBy=name&match=begins&pattern=&submit1=Find&rows=20>

System Route Plan Service Feature Device User Application Help

**Cisco CallManager Administration**  
For Cisco IP Telephony Solutions

CISCO SYSTEMS

### Find and List Calling Search Spaces

[Add a New Calling Search Space](#)

2 matching record(s) for CSS Name begins with ""

Find Calling Search Spaces where CSS Name

and show  items per page

To list all items, click Find without entering any search text.

Matching record(s) 1 to 2 of 2

<input type="checkbox"/>	CSS Name	Description	Copy
<input type="checkbox"/>	E911CSS		
<input type="checkbox"/>	phoneCSS		

First Previous Next Last Page  of 1





## CSS Phones

Cisco CallManager 4.2 Administration - Calling Search Space Configuration - Microsoft Internet Explorer

File Edit View Favorites Tools Help

Back Forward Stop Home Search Favorites Media Print

Address <https://cm-guanatos/CCMAdmin/callingsearchspace.asp?pkid={D6780BBF-F4F5-4866-A34F-53266134C61C}>

System Route Plan Service Feature Device User Application Help

**Cisco CallManager Administration**  
For Cisco IP Telephony Solutions

CISCO SYSTEMS

# Calling Search Space Configuration

[Add New Calling Search Space](#)  
[Back to Find/List Calling Search Spaces](#)  
[Dependency Records](#)

**Calling Search Space: phoneCSS**  
Status: Ready

Copy Update Delete

### Calling Search Space Information

Calling Search Space Name\*

Description

### Route Partitions for this Calling Search Space

Find Partitions containing  Find

Available Partitions

E911
------

▼ ▲

Selected Partitions\*  
(ordered by highest priority)

Phones
--------

▲ ▼

\* indicates required item



## CSS E911

Cisco CallManager 4.2 Administration - Calling Search Space Configuration - Microsoft Internet Explorer

File Edit View Favorites Tools Help

Back Forward Stop Home Search Favorites Media Print

Address <https://cm-guanatos/CCMAdmin/callingsearchspace.asp?pkid={66799008-196F-4F72-A64C-1ED5829D5E88}>

System Route Plan Service Feature Device User Application Help

**Cisco CallManager Administration**  
For Cisco IP Telephony Solutions

CISCO SYSTEMS

# Calling Search Space Configuration

[Add New Calling Search Space](#)  
[Back to Find/List Calling Search Spaces](#)  
[Dependency Records](#)

**Calling Search Space: E911CSS**  
Status: Ready

Copy Update Delete

### Calling Search Space Information

Calling Search Space Name\*

Description

### Route Partitions for this Calling Search Space

Find Partitions containing  Find

Available Partitions

Selected Partitions\*  
(ordered by highest priority)

E911  
Phones

\* indicates required item



## CCM IP Phones

Cisco CallManager 4.2 Administration - Phone Configuration - Microsoft Internet Explorer

File Edit View Favorites Tools Help

Back Forward Stop Home Search Favorites Media Print

Address <https://cm-guanatos/CCMAdmin/phoneconfig.asp?pkid={8E0BEC35-28CD-4744-BEC2-C5F2CB6CB198}>

System Route Plan Service Feature Device User Application Help

**Cisco CallManager Administration**  
For Cisco IP Telephony Solutions

CISCO SYSTEMS

[Add a new phone](#)  
[Add/Update Speed Dials](#)  
[Add/Update Busy Lamp Fields](#)  
[Subscribe/Unsubscribe Services](#)  
[Dependency Records](#)  
[Back to Find/List Phones](#)

# Phone Configuration

**Directory Numbers**

**Base Phone**

Line 1 - 4100 in  
Phones

**Phone: SEP000C303B28F4 (Auto 4100)**  
**Registration: Registered with Cisco CallManager CM-GUANATOS**  
**IP Address: 172.20.8.11**

Status: Ready

**Phone Configuration (Model = Cisco 7940)**

**Device Information**

MAC Address*	<input type="text" value="000C303B28F4"/>
Description	<input type="text" value="Auto 4100"/>
Owner User ID	<input type="text"/> <a href="#">(Select User ID)</a>
Device Pool*	<input type="text" value="Default"/> <a href="#">(View Details)</a>
Common Profile	<input type="text" value="&lt; None &gt;"/> <a href="#">(View Details)</a>
Calling Search Space	<input type="text" value="phoneCSS"/>
AAR Calling Search Space	<input type="text" value="&lt; None &gt;"/>
Media Resource Group List	<input type="text" value="&lt; None &gt;"/>
User Hold Audio Source	<input type="text" value="&lt; None &gt;"/>



Cisco CallManager 4.2 Administration - Phone Configuration - Microsoft Internet Explorer

File Edit View Favorites Tools Help

Back Forward Stop Home Search Favorites Media Print

Address <https://cm-guanatos/CCMAdmin/phoneconfig.asp?pkid={8E0BEC35-28CD-4744-BEC2-C5F2CB6CB198}>

Network Hold Audio Source	< None >
Location	< None >
AAR Group	< None >
User Locale	< None >
Network Locale	< None >
Device Security Mode	Use System Default
	Device security mode only takes effect if the enterprise parameter Cluster Security Mode is set to 1
Signal Packet Capture Mode	None
Packet Capture Duration	0
Built In Bridge	Default
Privacy	Default
Device Mobility Mode	Default <a href="#">(View Current Settings)</a>
<input checked="" type="checkbox"/> Retry Video Call as Audio	
<input type="checkbox"/> Ignore Presentation Indicators (internal calls only)	
<input checked="" type="checkbox"/> Logged into Hunt Group	
<b>Phone Button Template Information</b>	
Phone Button Template*	Standard 7940 <a href="#">(View button list)</a>
<b>Softkey Template Information</b>	
Softkey Template	< None >
<b>Firmware Load Information (leave blank to use default)</b>	
Phone Load Name	
<b>Cisco IP Phone - External Data Locations (leave blank to use default)</b>	
Information	



Cisco CallManager 4.2 Administration - Phone Configuration - Microsoft Internet Explorer

File Edit View Favorites Tools Help

Back Forward Stop Home Search Favorites Media Print

Address <https://cm-guanatos/CCMAdmin/phoneconfig.asp?pkid={8E0BEC35-28CD-4744-BEC2-C5F2CB6CB198}>

Directory	<input type="text"/>
Messages	<input type="text"/>
Services	<input type="text"/>
Authentication Server	<input type="text"/>
Proxy Server	<input type="text"/>
Idle	<input type="text"/>
Idle Timer (seconds)	<input type="text"/>

**Extension Mobility (Device Profile) Information**

Enable Extension Mobility Feature

Log Out Profile

Log In User ID

Log In Time

Log Out Time

**Certification Authority Proxy Function (CAPF) Information**

Certificate Operation

Authentication Mode

Authentication String

Key Size (bits)

Operation Completes By\*\*  :  :  :  (YYYY : MM : DD : HH )

Certificate Operation Status : None

**Multilevel Precedence and Preemption (MLPP) Information**

MLPP Domain  (e.g., "0000FF")

MLPP Indication



Cisco CallManager 4.2 Administration - Phone Configuration - Microsoft Internet Explorer

File Edit View Favorites Tools Help

Back Forward Stop Home Search Favorites Media Print

Address <https://cm-guanatos/CCMAdmin/phoneconfig.asp?pkid={8E0BEC35-28CD-4744-BEC2-C5F2CB6CB198}>

Authentication String

Key Size (bits)

Operation Completes By\*\*  :  :  :  (YYYY : MM : DD : HH )

Certificate Operation Status : None

**Multilevel Precedence and Preemption (MLPP) Information**

MLPP Domain  (e.g., "0000FF")

MLPP Indication

MLPP Preemption

**Product Specific Configuration**

Disable Speakerphone

Disable Speakerphone and Headset

PC Port\*

Settings Access\*

Gratuitous ARP\*

PC Voice VLAN Access\*

Video Capabilities\*

Auto Line Select\*

Web Access\*

\* indicates a required item.  
\*\* Indicates time on Publisher.

[Back to top of page](#)  
[Back to Find/List Phones](#)



Cisco CallManager 4.2 Administration - Directory Number Configuration - Microsoft Internet Explorer

File Edit View Favorites Tools Help

Back Forward Stop Home Search Favorites Media Print

Address <https://cm-guanatos/CCMAdmin/directorynumber.asp?NumPlanMapID={811279CC-FC6E-4867-BFA7-111232F9F43D}>

System Route Plan Service Feature Device User Application Help

**Cisco CallManager Administration**  
For Cisco IP Telephony Solutions

CISCO SYSTEMS

## Directory Number Configuration

[Configure Device \(SEP000C303B28F4\)](#)  
[Dependency Records](#)

**Associated With**

SEP000C303B28F4  
7940 (Line 1)

**Directory Number: 4100 (Phones)**

Status: Ready  
Note: Any update to this Directory Number automatically resets the associated devices

**Directory Number**

Directory Number\*

Partition

**Directory Number Settings**

Voice Mail Profile   
(Choose <None> to use default)

Calling Search Space

User Hold Audio Source

Network Hold Audio Source

Auto Answer

**AAR Settings**

	Voice Mail	AAR Destination Mask	AAR Group
AAR	<input type="checkbox"/>	<input type="text"/>	<input type="text" value="&lt;None&gt;"/>

Remove this destination from the call forwarding history



Cisco CallManager 4.2 Administration - Directory Number Configuration - Microsoft Internet Explorer

File Edit View Favorites Tools Help

Back Forward Home Search Favorites Media

Address <https://cm-guanatos/CCMAdmin/directorynumber.asp?NumPlanMapID={811279CC-FC6E-4867-BFA7-111232F9F43D}>

Retain this destination in the call forwarding history

### Call Forward and Pickup Settings

	Voice Mail	Coverage/ Destination	Calling Search Space
Forward All	<input type="checkbox"/>	<input type="text"/>	< None >
Forward Busy Internal	<input checked="" type="checkbox"/>	4200	< None >
Forward Busy External	<input checked="" type="checkbox"/>	4200	< None >
Forward No Answer Internal	<input checked="" type="checkbox"/>	4200	< None >
Forward No Answer External	<input checked="" type="checkbox"/>	4200	< None >
Forward No Coverage Internal	<input type="checkbox"/>	<input type="text"/>	< None >
Forward No Coverage External	<input type="checkbox"/>	<input type="text"/>	< None >
Forward Unregistered Internal	<input checked="" type="checkbox"/>	4200	< None >
Forward Unregistered External	<input checked="" type="checkbox"/>	4200	< None >
No Answer Ring Duration	<input type="text"/>	(seconds)	
Call Pickup Group	< None > <a href="#">(View Details)</a>		

### MLPP Alternate Party Settings

Target (Destination)	<input type="text"/>
Calling Search Space	< None >
No Answer Ring Duration	<input type="text"/> (seconds)

### Line Settings for all Devices

Alerting Name	Omar Bravo
---------------	------------

### Line Settings for this Device

Display (Internal Caller ID)	Omar Bravo
------------------------------	------------





Cisco CallManager 4.2 Administration - Directory Number Configuration - Microsoft Internet Explorer

File Edit View Favorites Tools Help

Back Forward Stop Home Search Favorites Media Print

Address <https://cm-guanatos/CCMAdmin/directorynumber.asp?NumPlanMapID={811279CC-FC6E-4867-BFA7-111232F9F43D}>

### Line Settings for this Device

Display (Internal Caller ID)	<input type="text" value="Omar Bravo"/>
Line Text Label	<input type="text" value="Omar Bravo"/>
External Phone Number Mask	<input type="text"/>
Message Waiting Lamp Policy	<input type="text" value="Use System Policy"/>
Ring Setting (Phone Idle)	<input type="text" value="Use System Default"/>
Ring Setting (Phone Active)**	<input type="text" value="Use System Default"/>
Call Pickup Group Audio Alert Setting(Phone Idle)	<input type="text" value="Use System Default"/>
Call Pickup Group Audio Alert Setting(Phone Active)	<input type="text" value="Use System Default"/>

### Multiple Call / Call Waiting Settings

Maximum Number of Calls*	<input type="text" value="4"/> (1 - 200)
Busy Trigger*	<input type="text" value="2"/> (<= Max. Calls)

### Forwarded Call Information Display

<input checked="" type="checkbox"/> Caller Name	<input type="checkbox"/> Caller Number
<input type="checkbox"/> Redirected Number	<input checked="" type="checkbox"/> Dialed Number

\* indicates required item; changes to Line or Directory Number settings require restart.  
\*\* Ring Setting (Phone Active) applies to this line when any line on the phone has a call in progress.

**Note:**  
If you are using a language other than English for Display (Internal Caller ID) or Line Text Label text, make sure the correct character set (shown below) is selected. Text displays incorrectly if the wrong characterset is selected. (English characters are included in all character sets.)

Character Set	<input type="text" value="Western European (Latin 1)"/>
---------------	---



## CTI Route Points

Cisco CallManager 4.2 Administration - Find and List CTI Route Points - Microsoft Internet Explorer

File Edit View Favorites Tools Help

Back Forward Stop Home Search Favorites Media Print

Address <https://cm-guanatos/CCMAdmin/ctiroutepointlist.asp>

System Route Plan Service Feature Device User Application Help

**Cisco CallManager Administration**  
For Cisco IP Telephony Solutions

CISCO SYSTEMS

### Find and List CTI Route Points

[Add a New CTI Route Point](#)

2 matching record(s) for Device Name begins with ""

Find CTI Route Points where  begins with

and show  items per page

To list all items, click Find without entering any search text, or use "Device Name is not empty" as the search criteria.

Matching record(s) 1 to 2 of 2

Real-time Information Service returned information for 2 of 2 devices listed below.

<input type="checkbox"/>	Device Name	Description	Device Pool	Common Profile	Status	IP Address	Copy
<input type="checkbox"/>	RP911	RP911	Default	MigratedCommonPro...	CM-GUANATOS	172.20.8.254	
<input type="checkbox"/>	RPELIN913	RPELIN913	Default	MigratedCommonPro...	CM-GUANATOS	172.20.8.254	

Page  of 1



## CTI Route Point 911

Cisco CallManager 4.2 Administration - CTI Route Point Configuration - Microsoft Internet Explorer

File Edit View Favorites Tools Help

Back Forward Stop Home Search Favorites Media Print

Address <https://cm-guanatos/CCMAdmin/ctiroutepointconfig.asp?pkid={323B358E-F4C5-413B-ACB9-E52F59BE7EE3}>

System Route Plan Service Feature Device User Application Help

**Cisco CallManager Administration**  
For Cisco IP Telephony Solutions

CISCO SYSTEMS

# CTI Route Point Configuration

[Add a New CTI Route Point](#)  
[Back to Find/List CTI Route Points](#)  
[Dependency Records](#)

**Directory Numbers**

- Line 1 - 911 in Phones
- Line 2 - Add DN

**Device: RP911 (RP911)**  
**Registration: Registered with Cisco CallManager CM-GUANATOS**  
**IP Address: 172.20.8.254**

Status: Ready

### CTI Route Point Configuration

#### Device Information

Device Name*	<input type="text" value="RP911"/>
Description	<input type="text" value="RP911"/>
Device Pool*	<input type="text" value="Default"/> <a href="#">(View Details)</a>
Common Profile	<input type="text" value="MigratedCommonProfile1"/> <a href="#">(View Details)</a>
Calling Search Space	<input type="text" value="E911CSS"/>
Location	<input type="text" value="&lt; None &gt;"/>
Media Resource Group List	<input type="text" value="&lt; None &gt;"/>
User Hold Audio Source	<input type="text" value="&lt; None &gt;"/>
Network Hold Audio Source	<input type="text" value="&lt; None &gt;"/>

\* indicates a required item.



Cisco CallManager 4.2 Administration - Directory Number Configuration - Microsoft Internet Explorer

File Edit View Favorites Tools Help

Back Forward Stop Home Search Favorites Media Print

Address <https://cm-guanatos/CCMAdmin/directorynumber.asp?NumPlanMapID={5322E174-C16A-4508-9022-4D30EEA43556}>

System Route Plan Service Feature Device User Application Help

**Cisco CallManager Administration**  
For Cisco IP Telephony Solutions

CISCO SYSTEMS

## Directory Number Configuration

[Configure Device \(RP911\)](#)  
[Dependency Records](#)

**Associated With**

- RP911 (Line 1)

**Directory Number: 911 (Phones)**

Status: Ready  
Note: Any update to this Directory Number automatically resets the associated devices

**Directory Number**

Directory Number\*

Partition

**Directory Number Settings**

Voice Mail Profile   
(Choose <None> to use default)

Calling Search Space

User Hold Audio Source

Network Hold Audio Source

Auto Answer Not available on this device.

**AAR Settings**

	Voice Mail	AAR Destination Mask	AAR Group
AAR	<input type="checkbox"/>	<input type="text"/>	<input type="text" value="&lt;None &gt;"/>

Remove this destination from the call forwarding history  
 Retain this destination in the call forwarding history



Cisco CallManager 4.2 Administration - Directory Number Configuration - Microsoft Internet Explorer

File Edit View Favorites Tools Help

Back Forward Stop Home Search Favorites Media Print

Address <https://cm-guanatos/CCMAdmin/directorynumber.asp?NumPlanMapID={5322E174-C16A-4508-9022-4D30EEA43556}>

Retain this destination in the call forwarding history

### Call Forward and Pickup Settings

	Voice Mail	Coverage/ Destination	Calling Search Space
Forward All	<input type="checkbox"/>	<input type="text"/>	< None >
Forward Busy Internal	<input type="checkbox"/>	<input type="text"/>	< None >
Forward Busy External	<input type="checkbox"/>	<input type="text"/>	< None >
Forward No Answer Internal	<input type="checkbox"/>	<input type="text"/>	< None >
Forward No Answer External	<input type="checkbox"/>	<input type="text"/>	< None >
Forward No Coverage Internal	<input type="checkbox"/>	<input type="text"/>	< None >
Forward No Coverage External	<input type="checkbox"/>	<input type="text"/>	< None >
Forward Unregistered Internal	<input type="checkbox"/>	<input type="text"/>	< None >
Forward Unregistered External	<input type="checkbox"/>	<input type="text"/>	< None >
Forward On Failure Ext/Int	<input type="checkbox"/>	<input type="text"/>	< None >
No Answer Ring Duration	<input type="text"/>	(seconds)	
Call Pickup Group	<input type="text"/>	< None > <a href="#">(View Details)</a>	

### MLPP Alternate Party Settings

Target (Destination)	<input type="text"/>
Calling Search Space	< None >
No Answer Ring Duration	<input type="text"/> (seconds)

### Line Settings for all Devices

Alerting Name	<input type="text"/>
---------------	----------------------

### Line Settings for this Device



Cisco CallManager 4.2 Administration - Directory Number Configuration - Microsoft Internet Explorer

File Edit View Favorites Tools Help

Back Forward Stop Home Search Favorites Media Print

Address <https://cm-guanatos/CCMAdmin/directorynumber.asp?NumPlanMapID={5322E174-C16A-4508-9022-4D30EEA43556}>

**Line Settings for all Devices**

Alerting Name

**Line Settings for this Device**

Display (Internal Caller ID)

Line Text Label Not available on this device.

External Phone Number Mask

Message Waiting Lamp Policy Not available on this device.

Ring Setting (Phone Idle) Not available on this device.

Ring Setting (Phone Active)\*\* Not available on this device.

Call Pickup Group Audio Alert Setting(Phone Idle) Not available on this device.

Call Pickup Group Audio Alert Setting(Phone Active) Not available on this device.

**Multiple Call / Call Waiting Settings**

Maximum Number of Calls\*  (1 - 10000)

Busy Trigger\*  (<= Max. Calls)

**Forwarded Call Information Display**

Caller Name  Caller Number

Redirected Number  Dialed Number

\* indicates required item; changes to Line or Directory Number settings require restart.

**Note:**  
If you are using a language other than English for Display (Internal Caller ID) or Line Text Label text, make sure the correct character set (shown below) is selected. Text displays incorrectly if the wrong character set is selected. (English characters are included in all character sets.)

Character Set



## CTI Route Point 913

Cisco CallManager 4.2 Administration - CTI Route Point Configuration - Microsoft Internet Explorer

File Edit View Favorites Tools Help

Back Forward Stop Home Search Favorites Media Print

Address <https://cm-guanatos/CCMAdmin/ctiroutepointconfig.asp?pkid={0A163C35-ADA4-45AB-95E3-2EF66899FF15}>

System Route Plan Service Feature Device User Application Help

**Cisco CallManager Administration**  
For Cisco IP Telephony Solutions

CISCO SYSTEMS

# CTI Route Point Configuration

[Add a New CTI Route Point](#)  
[Back to Find/List CTI Route Points](#)  
[Dependency Records](#)

**Directory Numbers**

- Line 1 - 913XXXXXXXXXX in E911
- Line 2 - Add DN

**Device: RPELIN913 (RPELIN913)**  
**Registration: Registered with Cisco CallManager CM-GUANATOS**  
**IP Address: 172.20.8.254**

Status: Ready

### CTI Route Point Configuration

#### Device Information

Device Name*	<input type="text" value="RPELIN913"/>
Description	<input type="text" value="RPELIN913"/>
Device Pool*	<input type="text" value="Default"/> <a href="#">(View Details)</a>
Common Profile	<input type="text" value="MigratedCommonProfile1"/> <a href="#">(View Details)</a>
Calling Search Space	<input type="text" value="E911CSS"/>
Location	<input type="text" value="&lt; None &gt;"/>
Media Resource Group List	<input type="text" value="&lt; None &gt;"/>
User Hold Audio Source	<input type="text" value="&lt; None &gt;"/>
Network Hold Audio Source	<input type="text" value="&lt; None &gt;"/>

\* indicates a required item.



Cisco CallManager 4.2 Administration - Directory Number Configuration - Microsoft Internet Explorer

File Edit View Favorites Tools Help

Back Forward Stop Home Search Favorites Media Print

Address https://cm-guanatos/CCMAdmin/directorynumber.asp?NumPlanMapID={69EAE4D1-E2CE-4172-9AED-B4FAEBF43A29}

System Route Plan Service Feature Device User Application Help

**Cisco CallManager Administration**  
For Cisco IP Telephony Solutions

CISCO SYSTEMS

## Directory Number Configuration

[Configure Device \(RPELIN913\)](#)  
[Dependency Records](#)

**Associated With**

RPELIN913 (Line 1)

**Directory Number: 913XXXXXXXXX (E911)**

Status: Ready  
Note: Any update to this Directory Number automatically resets the associated devices

**Directory Number**

Directory Number\*

Partition

**Directory Number Settings**

Voice Mail Profile   
(Choose <None> to use default)

Calling Search Space

User Hold Audio Source

Network Hold Audio Source

Auto Answer Not available on this device.

**AAR Settings**

	Voice Mail	AAR Destination Mask	AAR Group
AAR	<input type="checkbox"/>	<input type="text"/>	<input type="text" value="&lt;None&gt;"/>

Remove this destination from the call forwarding history  
 Retain this destination in the call forwarding history





Cisco CallManager 4.2 Administration - Directory Number Configuration - Microsoft Internet Explorer

File Edit View Favorites Tools Help

Back Forward Stop Home Search Favorites Media Print

Address <https://cm-guanatos/CCMAdmin/directorynumber.asp?NumPlanMapID={69EAE4D1-E2CE-4172-9AE0-B4FAEBF43A29}>

Retain this destination in the call forwarding history

### Call Forward and Pickup Settings

	Voice Mail	Coverage/ Destination	Calling Search Space
Forward All	<input type="checkbox"/>	<input type="text"/>	< None >
Forward Busy Internal	<input type="checkbox"/>	<input type="text"/>	< None >
Forward Busy External	<input type="checkbox"/>	<input type="text"/>	< None >
Forward No Answer Internal	<input type="checkbox"/>	<input type="text"/>	< None >
Forward No Answer External	<input type="checkbox"/>	<input type="text"/>	< None >
Forward No Coverage Internal	<input type="checkbox"/>	<input type="text"/>	< None >
Forward No Coverage External	<input type="checkbox"/>	<input type="text"/>	< None >
Forward Unregistered Internal	<input type="checkbox"/>	<input type="text"/>	< None >
Forward Unregistered External	<input type="checkbox"/>	<input type="text"/>	< None >
Forward On Failure Ext/Int	<input type="checkbox"/>	<input type="text"/>	< None >
No Answer Ring Duration	<input type="text"/>	(seconds)	
Call Pickup Group	<input type="text"/>	< None > <a href="#">(View Details)</a>	

### MLPP Alternate Party Settings

Target (Destination)	<input type="text"/>
Calling Search Space	< None >
No Answer Ring Duration	<input type="text"/> (seconds)

### Line Settings for all Devices

Alerting Name	<input type="text"/>
---------------	----------------------

### Line Settings for this Device



Cisco CallManager 4.2 Administration - Directory Number Configuration - Microsoft Internet Explorer

File Edit View Favorites Tools Help

Back Forward Stop Home Search Favorites Media Print

Address <https://cm-guanatos/CCMAdmin/directorynumber.asp?NumPlanMapID={69EAE4D1-E2CE-4172-9AE0-B4FAEBF43A29}>

**Line Settings for all Devices**

Alerting Name

**Line Settings for this Device**

Display (Internal Caller ID)

Line Text Label Not available on this device.

External Phone Number Mask

Message Waiting Lamp Policy Not available on this device.

Ring Setting (Phone Idle) Not available on this device.

Ring Setting (Phone Active)\*\* Not available on this device.

Call Pickup Group Audio Alert Setting(Phone Idle) Not available on this device.

Call Pickup Group Audio Alert Setting(Phone Active) Not available on this device.

**Multiple Call / Call Waiting Settings**

Maximum Number of Calls\*  (1 - 10000)

Busy Trigger\*  (<= Max. Calls)

**Forwarded Call Information Display**

Caller Name  Caller Number

Redirected Number  Dialed Number

\* indicates required item; changes to Line or Directory Number settings require restart.

**Note:**  
If you are using a language other than English for Display (Internal Caller ID) or Line Text Label text, make sure the correct character set (shown below) is selected. Text displays incorrectly if the wrong character set is selected. (English characters are included in all character sets.)

Character Set

Note: A Backup CER server was not used during testing therefore CTI route point for 912 was not created.



## CTI Port

Cisco CallManager 4.2 Administration - Phone Configuration - Microsoft Internet Explorer

File Edit View Favorites Tools Help

Back Forward Stop Home Search Favorites Media Print

Address <https://cm-guanatos/CCMAdmin/phoneconfig.asp?pkid={30314178-6608-47C1-AB7F-D27FF66C6278}>

System Route Plan Service Feature Device User Application Help

**Cisco CallManager Administration**  
For Cisco IP Telephony Solutions

CISCO SYSTEMS

# Phone Configuration

[Add a new phone](#)  
[Dependency Records](#)  
[Back to Find/List Phones](#)

**Directory Numbers**

**Base Phone**

- Line 1 - 4050 in 7718 7719 Phones
- Line 2 - Add new DN 7718 7719

**Phone: CERSec1 (CERSec1)**  
**Registration: Registered with Cisco CallManager CM-GUANATOS**  
**IP Address: 172.20.8.50**

Status: Ready

**Phone Configuration (Model = CTI Port)**

**Device Information**

Device Name*	<input type="text" value="CERSec1"/>
Description	<input type="text" value="CERSec1"/>
Owner User ID	<input type="text"/> <a href="#">(Select User ID)</a>
Device Pool*	<input type="text" value="Default"/> <a href="#">(View Details)</a>
Common Profile	<input type="text" value="&lt; None &gt;"/> <a href="#">(View Details)</a>
Calling Search Space	<input type="text" value="phoneCSS"/>
AAR Calling Search Space	<input type="text" value="&lt; None &gt;"/>
Media Resource Group List	<input type="text" value="&lt; None &gt;"/>
User Hold Audio Source	<input type="text" value="&lt; None &gt;"/>
Network Hold Audio Source	<input type="text" value="&lt; None &gt;"/>
Location	<input type="text" value="&lt; None &gt;"/>



Cisco CallManager 4.2 Administration - Phone Configuration - Microsoft Internet Explorer

File Edit View Favorites Tools Help

Back Forward Stop Home Search Favorites Media

Address <https://cm-guanatos/CCMAdmin/phoneconfig.asp?pkid={30314178-6608-47C1-AB7F-D27FF66C6278}>

Description	<input type="text" value="CERSec1"/>
Owner User ID	<input type="text"/> <a href="#">(Select User ID)</a>
Device Pool*	Default <input type="button" value="v"/> <a href="#">(View Details)</a>
Common Profile	< None > <input type="button" value="v"/> <a href="#">(View Details)</a>
Calling Search Space	phoneCSS <input type="button" value="v"/>
AAR Calling Search Space	< None > <input type="button" value="v"/>
Media Resource Group List	< None > <input type="button" value="v"/>
User Hold Audio Source	< None > <input type="button" value="v"/>
Network Hold Audio Source	< None > <input type="button" value="v"/>
Location	< None > <input type="button" value="v"/>
AAR Group	< None > <input type="button" value="v"/>
Device Mobility Mode	Default <input type="button" value="v"/> <a href="#">(View Current Settings)</a>
<input type="checkbox"/> Ignore Presentation Indicators (internal calls only)	
<input checked="" type="checkbox"/> Logged into Hunt Group	
<b>Multilevel Precedence and Preemption (MLPP) Information</b>	
MLPP Domain	<input type="text"/> (e.g., "0000FF")
MLPP Indication	Not available on this device
MLPP Preemption	Not available on this device

\* indicates a required item.

[Back to top of page](#)  
[Back to Find/List Phones](#)



Cisco CallManager 4.2 Administration - Directory Number Configuration - Microsoft Internet Explorer

File Edit View Favorites Tools Help

Back Forward Stop Home Search Favorites Media Print

Address <https://cm-guanatos/CCMAdmin/directorynumber.asp?NumPlanMapID={BE506CAD-3E08-4996-8343-ADD96874E275}>

System Route Plan Service Feature Device User Application Help

**Cisco CallManager Administration**  
For Cisco IP Telephony Solutions

CISCO SYSTEMS

## Directory Number Configuration

[Configure Device \(CERSec1\)](#)  
[Dependency Records](#)

**Associated With**

CERSec1 (Line 1)

**Directory Number: 4050 (Phones)**

Status: Ready  
Note: Any update to this Directory Number automatically resets the associated devices

**Directory Number**

Directory Number\*

Partition

**Directory Number Settings**

Voice Mail Profile   
(Choose <None> to use default)

Calling Search Space

User Hold Audio Source

Network Hold Audio Source

Auto Answer Not available on this device.

**AAR Settings**

	Voice Mail	AAR Destination Mask	AAR Group
AAR	<input type="checkbox"/>	<input type="text"/>	<input type="text" value="&lt;None&gt;"/>

Remove this destination from the call forwarding history  
 Retain this destination in the call forwarding history



Cisco CallManager 4.2 Administration - Directory Number Configuration - Microsoft Internet Explorer

File Edit View Favorites Tools Help

Back Forward Stop Home Search Favorites Media Print

Address <https://cm-guanatos/CCMAdmin/directorynumber.asp?NumPlanMapID={BE506CAD-3E08-4996-8343-ADD96874E275}>

Retain this destination in the call forwarding history

### Call Forward and Pickup Settings

	Voice Mail	Coverage/ Destination	Calling Search Space
Forward All	<input type="checkbox"/>	<input type="text"/>	< None >
Forward Busy Internal	<input type="checkbox"/>	<input type="text"/>	< None >
Forward Busy External	<input type="checkbox"/>	<input type="text"/>	< None >
Forward No Answer Internal	<input type="checkbox"/>	<input type="text"/>	< None >
Forward No Answer External	<input type="checkbox"/>	<input type="text"/>	< None >
Forward No Coverage Internal	<input type="checkbox"/>	<input type="text"/>	< None >
Forward No Coverage External	<input type="checkbox"/>	<input type="text"/>	< None >
Forward Unregistered Internal	<input type="checkbox"/>	<input type="text"/>	< None >
Forward Unregistered External	<input type="checkbox"/>	<input type="text"/>	< None >
Forward On Failure Ext/Int	<input type="checkbox"/>	<input type="text"/>	< None >
No Answer Ring Duration	<input type="text"/>	(seconds)	
Call Pickup Group	<input type="text"/>	< None > <a href="#">(View Details)</a>	

### MLPP Alternate Party Settings

Target (Destination)	<input type="text"/>
Calling Search Space	< None >
No Answer Ring Duration	<input type="text"/> (seconds)

### Line Settings for all Devices

Alerting Name	<input type="text"/>
---------------	----------------------

### Line Settings for this Device

<input type="text"/>
----------------------



Cisco CallManager 4.2 Administration - Directory Number Configuration - Microsoft Internet Explorer

File Edit View Favorites Tools Help

Back Forward Stop Home Search Favorites Media Print

Address <https://cm-guanatos/CCMAdmin/directorynumber.asp?NumPlanMapID={BE506CAD-3E08-4996-8343-ADD96874E275}>

Alerting Name

**Line Settings for this Device**

Display (Internal Caller ID)

Line Text Label

External Phone Number Mask

Message Waiting Lamp Policy

Ring Setting (Phone Idle) Not available on this device.

Ring Setting (Phone Active)\*\* Not available on this device.

Call Pickup Group Audio Alert Setting(Phone Idle) Not available on this device.

Call Pickup Group Audio Alert Setting(Phone Active) Not available on this device.

**Multiple Call / Call Waiting Settings**

Maximum Number of Calls\*  (1 - 200)

Busy Trigger\*  (<= Max. Calls)

**Forwarded Call Information Display**

Caller Name  Caller Number

Redirected Number  Dialed Number

\* indicates required item; changes to Line or Directory Number settings require restart.

**Note:**  
If you are using a language other than English for Display (Internal Caller ID) or Line Text Label text, make sure the correct character set (shown below) is selected. Text displays incorrectly if the wrong characterset is selected. (English characters are included in all character sets.)

Character Set



## Route Patterns for ELINs

Cisco CallManager 4.2 Administration - Find and List Route Patterns - Microsoft Internet Explorer

File Edit View Favorites Tools Help

Back Forward Stop Home Search Favorites Media Print

Address <https://cm-guanatos/CCMAdmin/routepatternlist.asp?patternUsage=5&menuid=132>

System Route Plan Service Feature Device User Application Help

**Cisco CallManager Administration**  
For Cisco IP Telephony Solutions

CISCO SYSTEMS

### Find and List Route Patterns

[Add a New Route Pattern](#)

6 matching record(s) for Pattern begins with ""

Find Route Patterns where  begins with

and show  items per page

To list all items, click Find without entering any search text.

Matching record(s) 1 to 6 of 6

<input type="checkbox"/>	Route Pattern	Partition	Description	Route Filter	Gateway/Route List	Copy
<input type="checkbox"/>	10911.	E911			AALN/S3/SU0/0@ton...	
<input type="checkbox"/>	11911.	E911			AALN/S3/SU0/0@ton...	
<input type="checkbox"/>	11XX				S1/DS1-0@tony_3640	
<input type="checkbox"/>	13911.	E911			AALN/S3/SU0/0@ton...	
<input type="checkbox"/>	40XX				S0/SU0/DS1-0@tony...	
<input type="checkbox"/>	4500				S1/DS1-0@tony_3640	

First Previous Next Last Page  of 1





## Route Pattern 10911

Cisco CallManager 4.2 Administration - Route Pattern Configuration - Microsoft Internet Explorer

File Edit View Favorites Tools Help

Back Forward Stop Home Search Favorites Media Print

Address <https://cm-guanatos/CCMAdmin/routepatternconfig.asp?pkid={FD59029E-5B5F-4BAA-BB3C-E9C101B8CC28}>

System Route Plan Service Feature Device User Application Help

**Cisco CallManager Administration**  
For Cisco IP Telephony Solutions

CISCO SYSTEMS

# Route Pattern Configuration

[Add a New Route Pattern](#)  
[Back to Find/List Route Patterns](#)

**Route Pattern: 10911.**  
Status: Ready  
Note: Any update to this Route Pattern automatically resets the associated gateway or Route List

Copy Update Delete

### Pattern Definition

Route Pattern*	<input type="text" value="10911."/>
Partition	<input type="text" value="E911"/>
Description	<input type="text"/>
Numbering Plan*	<input type="text" value="North American Numbering Plan"/>
Route Filter	<input type="text" value=" &lt; None &gt;"/>
MLPP Precedence	<input type="text" value="Default"/>
Gateway or Route List*	<input type="text" value="AALN/S3/SU0/0@tony3845"/> (Edit)
Route Option	<input checked="" type="radio"/> Route this pattern <input type="radio"/> Block this pattern <input type="text" value="— Not Selected —"/>
Call Classification*	<input type="text" value="OffNet"/> <input type="checkbox"/> Allow Device Override
<input checked="" type="checkbox"/> Provide Outside Dial Tone	<input type="checkbox"/> Allow Overlap Sending <input type="checkbox"/> Urgent Priority
<input type="checkbox"/> Require Forced Authorization Code	



Cisco CallManager 4.2 Administration - Route Pattern Configuration - Microsoft Internet Explorer

File Edit View Favorites Tools Help

Back Forward Stop Home Search Favorites Media Print

Address <https://cm-guanatos/CCMAdmin/routepatternconfig.asp?pkid={FD59029E-5B5F-4BAA-BB3C-E9C101B8CC28}>

Require Forced Authorization Code

Authorization Level

Require Client Matter Code

**Calling Party Transformations**

Use Calling Party's External Phone Number Mask

Calling Party Transform Mask

Prefix Digits (Outgoing Calls)

Calling Line ID Presentation

Calling Name Presentation

**Connected Party Transformations**

Connected Line ID Presentation

Connected Name Presentation

**Called Party Transformations**

Discard Digits

Called Party Transform Mask

Prefix Digits (Outgoing Calls)

**ISDN Network-Specific Facilities Information Element**

Carrier Identification Code

Network Service Protocol

Network Service	Service Parameter Name	Service Parameter Value
<input type="text" value="-- Not Selected --"/>	<input type="text" value="&lt; Not Exist &gt;"/>	<input type="text"/>

\* indicates required item.



## Route Pattern 11911

Cisco CallManager 4.2 Administration - Route Pattern Configuration - Microsoft Internet Explorer

File Edit View Favorites Tools Help

Back Forward Stop Home Search Favorites Media Print

Address <https://cm-guanatos/CCMAdmin/routepatternconfig.asp?pkid={545163F8-1368-4243-829B-96BDDC51E7EB}>

System Route Plan Service Feature Device User Application Help

**Cisco CallManager Administration**  
For Cisco IP Telephony Solutions

CISCO SYSTEMS

# Route Pattern Configuration

[Add a New Route Pattern](#)  
[Back to Find/List Route Patterns](#)

**Route Pattern: 11911.**

Status: Ready  
Note: Any update to this Route Pattern automatically resets the associated gateway or Route List

### Pattern Definition

Route Pattern*	<input type="text" value="11911."/>	
Partition	<input type="text" value="E911"/>	
Description	<input type="text"/>	
Numbering Plan*	<input type="text" value="North American Numbering Plan"/>	
Route Filter	<input type="text" value=" &lt; None &gt;"/>	
MLPP Precedence	<input type="text" value="Default"/>	
Gateway or Route List*	<input type="text" value="AALN/S3/SU0/0@tony3845"/> <a href="#">(Edit)</a>	
Route Option	<input checked="" type="radio"/> Route this pattern <input type="radio"/> Block this pattern <input type="text" value="— Not Selected —"/>	
Call Classification*	<input type="text" value="OffNet"/> <input type="checkbox"/> Allow Device Override	
<input checked="" type="checkbox"/> Provide Outside Dial Tone	<input type="checkbox"/> Allow Overlap Sending	<input type="checkbox"/> Urgent Priority
<input type="checkbox"/> Require Forced Authorization Code		



Cisco CallManager 4.2 Administration - Route Pattern Configuration - Microsoft Internet Explorer

File Edit View Favorites Tools Help

Back Forward Stop Home Search Favorites Media Print

Address <https://cm-guanatos/CCMAdmin/routepatternconfig.asp?pkid={545163F8-1368-4243-829B-96BDDC51E7EB}>

Require Forced Authorization Code

Authorization Level

Require Client Matter Code

**Calling Party Transformations**

Use Calling Party's External Phone Number Mask

Calling Party Transform Mask

Prefix Digits (Outgoing Calls)

Calling Line ID Presentation

Calling Name Presentation

**Connected Party Transformations**

Connected Line ID Presentation

Connected Name Presentation

**Called Party Transformations**

Discard Digits

Called Party Transform Mask

Prefix Digits (Outgoing Calls)

**ISDN Network-Specific Facilities Information Element**

Carrier Identification Code

Network Service Protocol

Network Service	Service Parameter Name	Service Parameter Value
<input type="text" value="-- Not Selected --"/>	<input type="text" value="&lt; Not Exist &gt;"/>	<input type="text"/>

\* indicates required item.



## Route Pattern 13911

Cisco CallManager 4.2 Administration - Route Pattern Configuration - Microsoft Internet Explorer

File Edit View Favorites Tools Help

Back Forward Stop Home Search Favorites Media Print

Address <https://cm-guanatos/CCMAdmin/routepatternconfig.asp?pkid={B20E482D-6CDC-410D-8FCB-61934FA854C7}>

System Route Plan Service Feature Device User Application Help

**Cisco CallManager Administration**  
For Cisco IP Telephony Solutions

CISCO SYSTEMS

# Route Pattern Configuration

[Add a New Route Pattern](#)  
[Back to Find/List Route Patterns](#)

**Route Pattern: 13911.**

Status: Ready  
Note: Any update to this Route Pattern automatically resets the associated gateway or Route List

### Pattern Definition

Route Pattern*	<input type="text" value="13911."/>
Partition	<input type="text" value="E911"/>
Description	<input type="text"/>
Numbering Plan*	<input type="text" value="North American Numbering Plan"/>
Route Filter	<input type="text" value=" &lt; None &gt;"/>
MLPP Precedence	<input type="text" value="Default"/>
Gateway or Route List*	<input type="text" value="AALN/S3/SU0/0@tony3845"/> <a href="#">(Edit)</a>
Route Option	<input checked="" type="radio"/> Route this pattern <input type="radio"/> Block this pattern <input type="text" value="— Not Selected —"/>
Call Classification*	<input type="text" value="OffNet"/> <input type="checkbox"/> Allow Device Override
<input checked="" type="checkbox"/> Provide Outside Dial Tone	<input type="checkbox"/> Allow Overlap Sending <input type="checkbox"/> Urgent Priority
<input type="checkbox"/> Require Forced Authorization Code	



Cisco CallManager 4.2 Administration - Route Pattern Configuration - Microsoft Internet Explorer

File Edit View Favorites Tools Help

Back Forward Stop Home Search Favorites Media Print

Address <https://cm-guanatos/CCMAdmin/routepatternconfig.asp?pkid={B20E482D-6CDC-410D-8FCB-61934FA854C7}>

Require Forced Authorization Code

Authorization Level

Require Client Matter Code

**Calling Party Transformations**

Use Calling Party's External Phone Number Mask

Calling Party Transform Mask

Prefix Digits (Outgoing Calls)

Calling Line ID Presentation

Calling Name Presentation

**Connected Party Transformations**

Connected Line ID Presentation

Connected Name Presentation

**Called Party Transformations**

Discard Digits

Called Party Transform Mask

Prefix Digits (Outgoing Calls)

**ISDN Network-Specific Facilities Information Element**

Carrier Identification Code

Network Service Protocol

Network Service	Service Parameter Name	Service Parameter Value
<input type="text" value="-- Not Selected --"/>	<input type="text" value="&lt; Not Exist &gt;"/>	<input type="text"/>

\* indicates required item.



## Translation Pattern for ELINs

Cisco CallManager 4.2 Administration - Translation Pattern Configuration - Microsoft Internet Explorer

File Edit View Favorites Tools Help

Back Forward Stop Home Search Favorites Media Print

Address <https://cm-guanatos/CCMAdmin/translationconfig.asp?pkid={96690A8F-E562-426C-B677-94A2D0730282}>

System Route Plan Service Feature Device User Application Help

**Cisco CallManager Administration**  
For Cisco IP Telephony Solutions

CISCO SYSTEMS

# Translation Pattern Configuration

[Add a New Translation Pattern](#)  
[Back to Find/List Translation Patterns](#)

**Translation Pattern: 408999XXXX**  
Status: Ready

### Pattern Definition

Translation Pattern	<input type="text" value="408999XXXX"/>
Partition	<input type="text" value="E911"/>
Description	<input type="text"/>
Numbering Plan*	<input type="text" value="North American Numbering Plan"/>
Route Filter	<input type="text" value=" &lt; None &gt;"/>
Calling Search Space	<input type="text" value="E911CSS"/>
MLPP Precedence	<input type="text" value="Default"/>
Route Option	<input checked="" type="radio"/> Route this pattern <input type="radio"/> Block this pattern <input type="text" value=" — Not Selected —"/>
<input checked="" type="checkbox"/> Provide Outside Dial Tone	<input checked="" type="checkbox"/> Urgent Priority

### Calling Party Transformations

Use Calling Party's External Phone Number Mask



Cisco CallManager 4.2 Administration - Translation Pattern Configuration - Microsoft Internet Explorer

File Edit View Favorites Tools Help

Back Forward Stop Home Search Favorites Media Print

Address <https://cm-guanatos/CCMAdmin/translationconfig.asp?pkid={96690A8F-E562-426C-B677-94A2D0730282}>

Numbering Plan*	North American Numbering Plan
Route Filter	< None >
Calling Search Space	E911CSS
MLPP Precedence	Default
Route Option	<input checked="" type="radio"/> Route this pattern <input type="radio"/> Block this pattern
	<input checked="" type="checkbox"/> Provide Outside Dial Tone
	<input checked="" type="checkbox"/> Urgent Priority
<b>Calling Party Transformations</b>	
<input type="checkbox"/> Use Calling Party's External Phone Number Mask	
Calling Party Transform Mask	
Prefix Digits (Outgoing Calls)	
Calling Line ID Presentation	Default
Calling Name Presentation	Default
<b>Connected Party Transformations</b>	
Connected Line ID Presentation	Default
Connected Name Presentation	Default
<b>Called Party Transformations</b>	
Discard Digits	< None >
Called Party Transform Mask	
Prefix Digits (Outgoing Calls)	913

\* indicates required item.





## PSAP Gateway Configuration (CAMA Trunk)

Cisco CallManager 4.2 Administration - Gateway Configuration - Microsoft Internet Explorer

File Edit View Favorites Tools Help

Back Forward Stop Home Search Favorites Media Print

Address <https://cm-guanatos/CCMAdmin/mgcpmemberconfig.asp?pkid={0016E0EA-AE99-4B33-91F4-8211DB35D4B6}&Action=Update&Type=18&iMGCP=>

System Route Plan Service Feature Device User Application Help

**Cisco CallManager Administration**  
For Cisco IP Telephony Solutions

CISCO SYSTEMS

# Gateway Configuration

[Back to main Gateway Configuration](#)  
[Back to Find/List Gateways](#)  
[Dependency Records](#)

Slot 3/ Sub-Unit 0	Product : Cisco 3845
3/0/0	<b>Gateway : AALN/S3/SU0/0@tony3845</b>
3/0/1	<b>Registration: Registered with Cisco CallManager CM-GUANATOS</b>
3/0/2	<b>IP Address: 172.20.8.26</b>
3/0/3	Status: Ready

**Slot 3/ Sub-Unit 1**

3/1/0	<a href="#">2100</a>
3/1/1	<a href="#">2101</a>

### Gateway Information

Description	AALN/S3/SU0/0@tony3845
Device Pool*	Default
Common Profile	< None >
Call Classification*	Use System Default
Calling Search Space	E911CSS
AAR Calling Search Space	< None >
Media Resource Group List	< None >
Location	< None >
AAR Group	< None >



Cisco CallManager 4.2 Administration - Gateway Configuration - Microsoft Internet Explorer

File Edit View Favorites Tools Help

Back Forward Stop Home Search Favorites Media Print

Address <https://cm-guanatos/CCMAdmin/mgcpmemberconfig.asp?pkid={0016E0EA-AE99-4B33-91F4-8211DB35D4B6}&Action=Update&Type=18&MGCP=>

Network Locale

**Multilevel Precedence and Preemption (MLPP) Information**

MLPP Domain  (e.g., "0000FF")

MLPP Indication Not available on this device

MLPP Preemption Not available on this device

**Port Information**

Port Direction\*

Attendant DN\*

**Product Specific Configuration**

Hookflash Timer (50-1550ms)\*

Inter-digit Duration Timer (50-500 ms)\*

Input Gain (-6..14 db)\*

Output Attenuation (0..14 db)\*

Echo Cancellation Enable\*

Echo Cancellation Coverage (ms)\*

\* indicates required item

[Back to main Gateway Configuration](#)  
[Back to Find/List Gateways](#)



## Cisco Unified CallManager User

Cisco CallManager 4.2 Administration - Microsoft Internet Explorer

File Edit View Favorites Tools Help

Back Forward Stop Home Search Favorites Media Print

Address <https://cm-guanatos/CCMAdmin/userprefsconfig.asp?pageType=Config&userID=cer>

System Route Plan Service Feature Device User Application Help

**Cisco CallManager Administration**  
For Cisco IP Telephony Solutions

CISCO SYSTEMS

# User Configuration

[Add a New User](#)  
[Back to User List](#)

**Application Profiles of Emergency**

- [Device Association](#)
- [Cisco IPMA](#)
- [Extension Mobility](#)
- [SoftPhone](#)

**User : Emergency 911Response**

Status: Ready

First Name

Last Name\*

User ID

User Password\*

PIN \*

Telephone Number

Manager User ID

Department

User Locale

Enable CTI Application Use

Enable CTI Super Provider

Call Park Retrieval Allowed



Cisco CallManager 4.2 Administration - Microsoft Internet Explorer

File Edit View Favorites Tools Help


Back Forward Stop Home Search Favorites Media Print

Address <https://cm-guanatos/CCMAdmin/userprefsconfig.asp?pageType=Config&userID=cer>

System Route Plan Service Feature Device User Application Help

# Cisco CallManager Administration

For Cisco IP Telephony Solutions



## User Configuration

[Add a New User](#)  
[Back to User List](#)

<b>Application Profiles of Emergency</b>	User Locale	English United States
<a href="#">Device Association</a>	Enable CTI Application Use	<input checked="" type="checkbox"/>
<a href="#">Cisco IPMA</a>	Enable CTI Super Provider	<input type="checkbox"/>
<a href="#">Extension Mobility</a>	Call Park Retrieval Allowed	<input type="checkbox"/>
<a href="#">SoftPhone</a>	Enable Calling Party Number Modification	<input checked="" type="checkbox"/>
	Associated PC	Not Defined
	Primary Extension	4050
	Controlled Devices	CERSec1, RP911, RPELIN913
	Enable Authentication Proxy Rights	False
	Controlled Device Profiles	none

\* indicates required item.

View page in English, United States

Page displayed at Wed Jan 18 16:24:17 PST 2006  
Copyright © 1999 - 2004 Cisco Systems, Inc. All rights reserved



## T1-QSIG Gateway

Cisco CallManager 4.2 Administration - Gateway Configuration - Microsoft Internet Explorer

File Edit View Favorites Tools Help

Back Forward Stop Home Search Favorites Media Print

Address <https://cm-guanatos/CCMAdmin/gatewayconfig.asp?pkid={8EC8AB59-707D-47A7-B834-AFD149A379F3}&Action=Update&Type=52&iMGCP={F7>

System Route Plan Service Feature Device User Application Help

**Cisco CallManager Administration**  
For Cisco IP Telephony Solutions

CISCO SYSTEMS

# Gateway Configuration

[Back to MGCP Configuration](#)  
[Back to Find/List Gateways](#)  
[Dependency Records](#)

**Product : Cisco 3845**  
**Gateway : S0/SU0/DS1-0@tony3845**  
**Device Protocol: Digital Access PRI**  
**Registration: Registered with Cisco CallManager CM-GUANATOS**  
**IP Address: 172.20.8.26**

Status: Ready

### Device Information

End-Point Name*	<input type="text" value="S0/SU0/DS1-0@tony3845"/>
Description	<input type="text" value="S0/SU0/DS1-0@tony3845"/>
Device Pool*	<input type="text" value="Default"/>
Common Profile	<input type="text" value="&lt; None &gt;"/>
Call Classification*	<input type="text" value="Use System Default"/>
Network Locale	<input type="text" value="&lt; None &gt;"/>
Media Resource Group List	<input type="text" value="&lt; None &gt;"/>
Location	<input type="text" value="&lt; None &gt;"/>



Cisco CallManager 4.2 Administration - Gateway Configuration - Microsoft Internet Explorer

File Edit View Favorites Tools Help

Back Forward Stop Home Search Favorites Media Print

Address <https://cm-guanatos/CCMAdmin/gatewayconfig.asp?pkid={8EC8AB59-707D-47A7-B834-AFD149A379F3}&Action=Update&Type=52&IMGCP={F7>

AAR Group	< None >
Load Information	
V150 (subset)	<input type="checkbox"/>
<b>Multilevel Precedence and Preemption (MLPP) Information</b>	
MLPP Domain (e.g., "0000FF")	
MLPP Indication	Off
MLPP Preemption	Disabled
<b>Interface Information</b>	
PRI Protocol Type*	PRI QSIG T1
Protocol Side*	Network
Channel Selection Order*	Top Down
Channel IE Type*	Timeslot Number
PCM Type*	μ-law
Delay for first restart (1/8 sec ticks)	32
Delay between restarts (1/8 sec ticks)	4
<input checked="" type="checkbox"/> Inhibit restarts at PRI initialization	
<input type="checkbox"/> Enable status poll	
<b>Call Routing Information</b>	
<b>Inbound Calls</b>	
Significant Digits*	All
Calling Search Space	phoneCSS



Cisco CallManager 4.2 Administration - Gateway Configuration - Microsoft Internet Explorer

File Edit View Favorites Tools Help

Back Forward Stop Home Search Favorites Media Print

Address <https://cm-guanatos/CCMAdmin/gatewayconfig.asp?pkid={8EC8AB59-707D-47A7-B834-AFD149A379F3}&Action=Update&Type=52&MGCP={F7>

Significant Digits*	All
Calling Search Space	phoneCSS
AAR Calling Search Space	< None >
Prefix DN	

**Outbound Calls**

Calling Line ID Presentation*	Default
Calling Party Selection*	Originator
Called party IE number type unknown*	Cisco CallManager
Calling party IE number type unknown*	Cisco CallManager
Called Numbering Plan*	Cisco CallManager
Calling Numbering Plan*	Cisco CallManager
Number of digits to strip*	0
Caller ID DN	
SMDI Base Port*	0

**PRI Protocol Type Specific Information**

- Display IE Delivery
- Redirecting Number IE Delivery - Outbound
- Redirecting Number IE Delivery - Inbound
- Send Extra Leading Character In DisplayIE\*\*\*
- Setup non-ISDN Progress Indicator IE Enable\*\*\*\*



Cisco CallManager 4.2 Administration - Gateway Configuration - Microsoft Internet Explorer

File Edit View Favorites Tools Help

Back Forward Stop Home Search Favorites Media Print

Address <https://cm-guanatos/CCMAdmin/gatewayconfig.asp?pkid={8EC8AB59-707D-47A7-B834-AFD149A379F3}&Action=Update&Type=52&iMGCP={F7>

Setup non-ISDN Progress Indicator IE Enable\*\*\*\*

MCDN Channel Number Extension Bit Set to Zero\*\*

Send Calling Name In Facility IE

Interface Identifier Present\*\*

Interface Identifier Value\*\*

Connected Line ID Presentation (QSIG Inbound Call)\*

**UUIE Configuration**

Passing Precedence Level Through UUIE

Security Access Level

**Product Specific Configuration**

Line Coding\*

Framing\*

Clock\*

Input Gain (-6..14 db)\*

Output Attenuation (-6..14 db)\*

Echo Cancellation Enable\*

Echo Cancellation Coverage (ms)\*

\* indicates required item  
\*\* applicable to DMS-100 protocol only  
\*\*\* applicable to DMS-100 protocol and DMS-250 protocol only





## Route Pattern to QSIG Trunk

Cisco CallManager 4.2 Administration - Route Pattern Configuration - Microsoft Internet Explorer

File Edit View Favorites Tools Help

Back Forward Stop Home Search Favorites Media Print

Address <https://cm-guanatos/CCMAdmin/routepatternconfig.asp?pkid={C4C408E3-CC2A-4F0E-B860-E10343EE8E08}>

System Route Plan Service Feature Device User Application Help

**Cisco CallManager Administration**  
For Cisco IP Telephony Solutions

CISCO SYSTEMS

# Route Pattern Configuration

[Add a New Route Pattern](#)  
[Back to Find/List Route Patterns](#)

**Route Pattern: 40XX**  
Status: Ready  
Note: Any update to this Route Pattern automatically resets the associated gateway or Route List

Copy Update Delete

### Pattern Definition

Route Pattern*	<input type="text" value="40XX"/>	
Partition	<input style="border: none;" type="text" value=" &lt; None &gt; "/>	
Description	<input type="text"/>	
Numbering Plan*	<input style="border: none;" type="text" value="North American Numbering Plan"/>	
Route Filter	<input style="border: none;" type="text" value=" &lt; None &gt; "/>	
MLPP Precedence	<input style="border: none;" type="text" value="Default"/>	
Gateway or Route List*	<input style="border: none;" type="text" value="S0/SU0/DS1-0@tony3845"/> <a href="#">(Edit)</a>	
Route Option	<input checked="" type="radio"/> Route this pattern <input type="radio"/> Block this pattern <input style="border: none;" type="text" value=" — Not Selected — "/>	
Call Classification*	<input style="border: none;" type="text" value="OnNet"/> <input type="checkbox"/> Allow Device Override	
<input checked="" type="checkbox"/> Provide Outside Dial Tone	<input type="checkbox"/> Allow Overlap Sending	<input type="checkbox"/> Urgent Priority
<input type="checkbox"/> Require Forced Authorization Code		



Cisco CallManager 4.2 Administration - Route Pattern Configuration - Microsoft Internet Explorer

File Edit View Favorites Tools Help

Address <https://cm-guanatos/CCMAdmin/routepatternconfig.asp?pkid={C4C408E3-CC2A-4F0E-B860-E10343EE8E08}>

Require Forced Authorization Code

Authorization Level

Require Client Matter Code

**Calling Party Transformations**

Use Calling Party's External Phone Number Mask

Calling Party Transform Mask

Prefix Digits (Outgoing Calls)

Calling Line ID Presentation

Calling Name Presentation

**Connected Party Transformations**

Connected Line ID Presentation

Connected Name Presentation

**Called Party Transformations**

Discard Digits

Called Party Transform Mask

Prefix Digits (Outgoing Calls)

**ISDN Network-Specific Facilities Information Element**

Carrier Identification Code

Network Service Protocol

Network Service	Service Parameter Name	Service Parameter Value
<input type="text" value="— Not Selected —"/>	<input type="text" value="&lt; Not Exist &gt;"/>	<input type="text"/>

\* indicates required item.

Note: For detailed information regarding QSIG interoperability between CCM and NEC IPX2400 PBX go to:  
[http://www.cisco.com/warp/public/779/largeent/avid/inter\\_operability/flash/portal.html](http://www.cisco.com/warp/public/779/largeent/avid/inter_operability/flash/portal.html)



SNMP service must be active and set to READ-ONLY

The screenshot shows the Windows Services console with the 'SNMP Service' selected. The 'SNMP Service Properties' dialog box is open, showing the 'General' tab. The 'Send authentication trap' checkbox is checked. Under 'Accepted community names', a table shows the 'public' community with 'READ ONLY' rights. The 'Accept SNMP packets from any host' radio button is selected.

Community	Rights
public	READ ONLY

The 'SNMP Service Configuration' dialog box is also visible, showing 'Community rights' set to 'READ ONLY' and 'Community Name' set to 'public'.



## Cisco Emergency Responder Configuration

### Cisco Unified CallManager Details

Cisco Emergency Responder Administration - Microsoft Internet Explorer

File Edit View Favorites Tools Help

Back Forward Stop Home Search Favorites Media Print

Address http://localhost/cersysadmin/servlet/CERAdminServlet

Cisco ER Groups ERL Phone Tracking ERL Membership Reports Tools Help Logout

Cisco Emergency Responder Administration  
For Cisco IP Telephony Solutions

CISCO SYSTEMS

Schedule LAN Switch Details

## Cisco CallManager Details

**Cisco CallManagers**

172.20.110.254

Status: Please enter any change for the current Cisco CallManager

### Modify Cisco CallManager

New Update Delete Cancel Changes

Cisco CallManager *	172.20.110.254
CTI Manager *	172.20.110.254
CTI Manager User Name *	certest
CTI Manager Password *	*****
BackUp CTI Manager 1	
BackUp CTI Manager 2	
Telephony Port Begin Address	4250
Number of Telephony Ports	2

\* indicates required item

Schedule LAN Switch Details



## Cisco Emergency Responder Server Group

Cisco Emergency Responder Administration - Microsoft Internet Explorer

File Edit View Favorites Tools Help

Back Forward Stop Refresh Home Search Favorites Media Print

Address http://localhost/cersysadmin/servlet/CERAdminServlet

Cisco ER Groups ERL Phone Tracking ERL Membership Reports Tools Help Logout

**Cisco Emergency Responder Administration**  
For Cisco IP Telephony Solutions

CISCO SYSTEMS

Telephony Settings

### Cisco ER Group Settings

Specify the values for the configuration attributes and then press Update settings

Status : Ready

Cisco ER Group Name *	<input type="text" value="CERServerGroup"/>
Peer TCP Port *	<input type="text" value="17001"/>
Heart beat Count *	<input type="text" value="3"/>
Heart beat Interval (in sec) *	<input type="text" value="30"/>
Active Call Time out (in min) *	<input type="text" value="180"/>
SMTP Mail Server	<input type="text"/>
Source Mail ID (mandatory if SMTP Server configured)	<input type="text"/>
System Administrator Mail ID	<input type="text"/>
Calling Party Modification	<input type="text" value="enable"/>
SysLog	<input type="text" value="disable"/>
Syslog Server (mandatory if SysLog enabled) (eg:logserver.cisco.com)	<input type="text"/>
Notes	<input type="text"/>

\* indicates required item



## Telephony Settings

Cisco Emergency Responder Administration - Microsoft Internet Explorer

File Edit View Favorites Tools Help

Back Forward Stop Home Search Favorites Media Print

Address http://localhost/cersysadmin/servlet/CERAdminServlet?formname=telephony

---

Cisco ER Groups ERL Phone Tracking ERL Membership Reports Tools Help Logout

**Cisco Emergency Responder Administration**  
For Cisco IP Telephony Solutions

CISCO SYSTEMS

◀ Cisco ER Group Settings Server Settings ▶

# Telephony settings

Specify the values for the configuration attributes and then press Update settings.

Status :Ready

UDP Port Begin *	<input type="text" value="32000"/>
Inter Cisco ER Group Route Pattern	<input type="text"/>
PSAP Callback Route Point Pattern *	<input type="text" value="913XXXXXXXXXX"/>
ELIN Digit Strip Pattern *	<input type="text" value="913"/>
Route Point for Primary Cisco ER Server *	<input type="text" value="911"/>
Route Point for Standby Cisco ER Server	<input type="text" value="912"/>

\* indicates required item

◀ Cisco ER Group Settings Server Settings ▶



## Server Settings

Cisco Emergency Responder Administration - Microsoft Internet Explorer

File Edit View Favorites Tools Help

Back Forward Stop Home Search Favorites Media Print

Address http://localhost/cersysadmin/servlet/CERAdminServlet?formname=server&selectedserver=Publisher

---

Cisco ER Groups ERL Phone Tracking ERL Membership Reports Tools Help Logout

Cisco Emergency Responder Administration  
For Cisco IP Telephony Solutions

CISCO SYSTEMS

Telephony Settings Onsite Alert Settings

### Server Settings for CERServerGroup

**Servers**

- Publisher (primary)

Status : Ready

#### Modify Server Settings

Server Name \*

Host Name \* **CER-P**

Debug Package List

<input checked="" type="checkbox"/> CER_DATABASE	<input checked="" type="checkbox"/> CER_SYSADMIN	<input checked="" type="checkbox"/> CER_REMOTEUPDATE
<input checked="" type="checkbox"/> CER_TELEPHONY	<input checked="" type="checkbox"/> CER_PHONETRACKINGENGINE	<input checked="" type="checkbox"/> CER_AGGREGATOR
<input checked="" type="checkbox"/> CER_ONSITEALERT	<input checked="" type="checkbox"/> CER_GROUP	<input checked="" type="checkbox"/> CER_CALLENGINE
<input checked="" type="checkbox"/> CER_CLUSTER		

Trace Package List

<input checked="" type="checkbox"/> CER_DATABASE	<input checked="" type="checkbox"/> CER_SYSADMIN	<input checked="" type="checkbox"/> CER_REMOTEUPDATE
<input checked="" type="checkbox"/> CER_TELEPHONY	<input checked="" type="checkbox"/> CER_PHONETRACKINGENGINE	<input checked="" type="checkbox"/> CER_AGGREGATOR
<input checked="" type="checkbox"/> CER_ONSITEALERT	<input checked="" type="checkbox"/> CER_GROUP	<input checked="" type="checkbox"/> CER_CALLENGINE
<input checked="" type="checkbox"/> CER_CLUSTER		

\* indicates required item



## ERLs List

Cisco Emergency Responder Administration - Microsoft Internet Explorer

File Edit View Favorites Tools Help

Back Forward Stop Home Search Favorites Media Print

Address http://localhost/cersysadmin/servlet/CERAdminServlet?formname=zoneconfigframe

---

Cisco ER Groups ERL Phone Tracking ERL Membership Reports Tools Help Logout

**Cisco Emergency Responder Administration**  
For Cisco IP Telephony Solutions

CISCO SYSTEMS

Onsite Alert Settings SNMP Settings

### Find and List ERLs

[Export ERL data](#)  
[Import ERL data](#)

Find Details of ERLs Where  contains

and show  items per page

To list all items, click Find without entering any search text.

[Configure Default ERL](#)  
[Add New ERL](#)

Status : Deleted successfully.

Click on record to view/edit.

**Matching Records 1 to 4 of 4**

ERL Name	Route/Translation Pattern--ELIN	Onsite Alert Ids.	Street Name	Community Name	State	Copy	Delete	Audit Trail
Default	100911--4000		Tasman	cisco	ca			<a href="#">view..</a>
Test1	10911--4089994....		Tasman	Big Sky	TX			<a href="#">view..</a>
Test2	11911--4089994....		Tasman	Big Sky	TX			<a href="#">view..</a>
Test3	13911--4089994....		Tasman	Big Sky	TX			<a href="#">view..</a>

First | Previous | Next | Last

Page  of 1

[Configure Default ERL](#)  
[Add New ERL](#)





## ERL 1

Cisco Emergency Responder Administration - Microsoft Internet Explorer

# ERL Information for Test1

\* indicates required item

Help for this screen

ERL Name \* **Test1**

Notes

Test ERL (Select if this ERL is used for Synthetic Testing)

### ELIN Settings

Route/Translation pattern	<input type="text" value="10911"/>	<input type="button" value="Add"/>	<input type="text" value="10911-4089994200"/>
ELIN	<input type="text" value="4089994200"/>	<input type="button" value="Update"/>	<input type="text"/>
		<input type="button" value="Remove"/>	

### Onsite Alert Settings

Available Onsite Alert IDs

Onsite Alert IDs for the ERL

▶

◀

### ERL Address

[ALI Details](#)

Local intranet



## ERL 2

Cisco Emergency Responder Administration - Microsoft Internet Explorer

# ERL Information for Test2

\* indicates required item

Help for this screen

ERL Name \* **Test2**

Notes

Test ERL (Select if this ERL is used for Synthetic Testing)

### ELIN Settings

Route/Translation pattern	<input type="text" value="11911"/>	<input type="button" value="Add"/>	<input type="text" value="11911-4089994201"/>
ELIN	<input type="text" value="4089994201"/>	<input type="button" value="Update"/>	<input type="text"/>
		<input type="button" value="Remove"/>	

### Onsite Alert Settings

Available Onsite Alert IDs

Onsite Alert IDs for the ERL

### ERL Address

[ALI Details](#)

Local intranet



## ERL 3

Cisco Emergency Responder Administration - Microsoft Internet Explorer

# ERL Information for Test3

\* indicates required item

Help for this screen

ERL Name \* **Test3**

Notes

Test ERL (Select if this ERL is used for Synthetic Testing)

### ELIN Settings

Route/Translation pattern	<input type="text"/>	<input type="button" value="Add"/>	<input type="text" value="13911-4089994203"/>
ELIN	<input type="text"/>	<input type="button" value="Update"/>	
		<input type="button" value="Remove"/>	

### Onsite Alert Settings

Available Onsite Alert IDs	<input type="text"/>		Onsite Alert IDs for the ERL	<input type="text"/>

### ERL Address

[ALI Details](#)

Done Local intranet



## SNMP Connection

Cisco Emergency Responder Administration - Microsoft Internet Explorer

File Edit View Favorites Tools Help

Back Forward Stop Home Search Favorites Media Print

Address http://localhost/cersysadmin/servlet/CERAdminServlet

---

Cisco ER Groups ERL Phone Tracking ERL Membership Reports Tools Help Logout

**Cisco Emergency Responder Administration**  
For Cisco IP Telephony Solutions

CISCO SYSTEMS

Configure ERLs Schedule

# SNMP Settings

- Entries can be added in any order
- IP Address can consist of a wild card '\*' or range of values like 20-30 or an exact number.
- Entry that is the closest match will be used for a given switch or Cisco CallManager.
- If no match is found, **public** will be used as the default Read Community string.
- Some valid IP examples: 64.20.4.9 64.20-30.30-60.\* \*.\*.\*

Status: Please enter any change for the current SNMP Setting

### Modify SNMP Setting

IP Address/Host Name *	Timeout(in sec) *	Retries *	Read Community *
172.20.8.20	10	2	public

New Update Cancel Changes

\* indicates required item

Click on a record to view or modify

IP Address/Host Name	Timeout(in sec)	Retries	Read Community	Delete
172.20.8.20	10	2	public	

Configure ERLs Schedule



## LAN Switch Identifying

Cisco Emergency Responder Administration - Microsoft Internet Explorer

File Edit View Favorites Tools Help

Back Forward Stop Home Search Favorites Media Print

Address http://localhost/cersysadmin/servlet/CERAdminServlet

Cisco ER Groups ERL Phone Tracking ERL Membership Reports Tools Help Logout

Cisco Emergency Responder Administration  
For Cisco IP Telephony Solutions

CISCO SYSTEMS

Cisco CallManager Details [Configure Switch Ports](#)

# LAN Switch Details

LAN Switches

- Export
- Import
- 172.20.8.20  
LAN Switch

Status: Please enter any change for the current LAN Switch

### Modify LAN Switch

New Update Delete Cancel Changes Locate Switch-Ports

Switch Host Name / IP Address \* **172.20.8.20**

Notes

Enable CAM based Phone Tracking

\* indicates required item



## Switch Port Details

Cisco Emergency Responder Administration - Microsoft Internet Explorer

File Edit View Favorites Tools Help

Back Forward Stop Home Search Favorites Media

Address http://localhost/cersysadmin/servlet/CERAdminServlet?formname=portconfig&actionname=viewzoneconfig

Cisco ER Groups ERL Phone Tracking ERL Membership Reports Tools Help Logout

Cisco Emergency Responder Administration  
For Cisco IP Telephony Solutions

CISCO SYSTEMS

LAN Switch Details [Configure IP Subnets](#)

## Switch Port Details

Find **Configure** [Export](#) [Import](#)

**View Switch Port Information**

Find ports where  All  Any of the conditions are satisfied

ERL Name  contains

	172.20.8.20	3/23	<a href="#">View</a>			
	172.20.8.20	3/24	<a href="#">View</a>			
	172.20.8.20	3/25	<a href="#">View</a>			
	172.20.8.20	3/26	<a href="#">View</a>			
	172.20.8.20	3/27	<a href="#">View</a>			
	172.20.8.20	3/28	<a href="#">View</a>			
Test3	172.20.8.20	3/29	<a href="#">View</a>	4201	172.20.110.252	Cisco 7960
Test3	172.20.8.20	3/30	<a href="#">View</a>	4200	172.20.110.253	Cisco 7960
	172.20.8.20	3/31	<a href="#">View</a>			



## Defining Manual Phones (PBX Stations)

Cisco Emergency Responder Administration - Microsoft Internet Explorer

File Edit View Favorites Tools Help

Back Forward Stop Home Search Favorites Media Print

Address http://localhost/cersysadmin/servlet/CERAdminServlet

Cisco ER Groups ERL Phone Tracking ERL Membership Reports Tools Help Logout

Cisco Emergency Responder Administration  
For Cisco IP Telephony Solutions

CISCO SYSTEMS

Configure Unlocated Phones Configure Synthetic Phones

[Add new Manual phone](#)

### Find and List Manually Configured Phones

[Export](#)  
[Import](#)

Find phones where extension

and show  items per page

To list all items, click Find without entering any search text.

#### List Manually Configured Phones

Status: Ready

Matching record(s) 1 to 2 of 2

Line Number	ERL Name	IP Address	MAC Address	Delete
4059	Test2			
4060	Test1			

First Previous Next Last

Page  of 1



Cisco Emergency Responder Administration - Microsoft Internet Explorer

File Edit View Favorites Tools Help

Back Forward Stop Home Search Favorites Media

Address http://localhost/cersysadmin/servlet/CERAdminServlet

Cisco ER Groups ERL Phone Tracking ERL Membership Reports Tools Help Logout

Cisco Emergency Responder Administration  
For Cisco IP Telephony Solutions

CISCO SYSTEMS

## Add/Modify Phones

[Back to Phone Search](#)

Status: Please enter any change for the current Manual Phone

### Modify Phones

Line Number *	4060
Phone Type	<input type="text"/>
Version	<input type="text"/>
IP Address	<input type="text"/>
MAC Address	<input type="text"/>
ERL Name *	Test1
	Test1

\* indicates required item





Cisco Emergency Responder Administration - Microsoft Internet Explorer

File Edit View Favorites Tools Help

Back Forward Stop Refresh Home Search Favorites Media Print

Address http://localhost/cersysadmin/servlet/CERAdminServlet

Cisco ER Groups ERL Phone Tracking ERL Membership Reports Tools Help Logout

Cisco Emergency Responder Administration  
For Cisco IP Telephony Solutions

CISCO SYSTEMS

## Add/Modify Phones

[Back to Phone Search](#)

Status: Please enter any change for the current Manual Phone

### Modify Phones

New Update Cancel Changes

Line Number \* 4059

Phone Type

Version

IP Address

MAC Address

ERL Name \* Test2

\* indicates required item

### Cisco 3845 Cisco IOS Gateway Configuration

Router3845# show running-config

Building configuration...

Current configuration : 3087 bytes

!

Version 12.3

service timestamps debug datetime msec

service timestamps log datetime msec

no service password-encryption

!

hostname Router3845





```
linecode b8zs
pri-group timeslots 1-24 service mgcp
!
controller T1 0/0/1
framing esf
linecode b8zs
!
controller E1 4/0/0
shutdown
pri-group timeslots 1-31 service mgcp
!
controller E1 4/0/1
!
!
!
interface GigabitEthernet0/0
ip address 172.20.8.26 255.255.255.0
duplex half
speed 100
media-type rj45
negotiation auto
!
interface GigabitEthernet0/1
ip address 172.20.110.104 255.255.255.0
shutdown
duplex auto
speed auto
media-type rj45
negotiation auto
!
interface Serial0/0/0:23
no ip address
isdn switch-type primary-qsig
isdn protocol-emulate network
isdn incoming-voice voice
isdn T310 120000
isdn bind-l3 ccm-manager
no cdp enable
!
interface Serial4/0/0:15
no ip address
shutdown
isdn switch-type primary-qsig
isdn incoming-voice voice
isdn bind-l3 ccm-manager
no cdp enable
!
ip default-gateway 172.20.8.1
ip classless
ip route 0.0.0.0 0.0.0.0 172.20.8.1
```



```
!  
ip http server  
!  
!  
!  
!  
control-plane  
!  
!  
!  
voice-port 0/0/0:23  
!  
voice-port 3/0/0  
signal cama KP-NPD-NXX-XXXX-ST  
dial-type mf  
timing hookflash-out 500  
!  
voice-port 3/0/1  
dial-type mf  
timing hookflash-out 500  
!  
voice-port 3/0/2  
dial-type mf  
timing hookflash-out 500  
!  
voice-port 3/0/3  
dial-type mf  
timing hookflash-out 500  
!  
voice-port 3/1/0  
!  
voice-port 3/1/1  
!  
voice-port 4/0/0:15  
!  
ccm-manager mgcp  
ccm-manager music-on-hold  
ccm-manager config server CM-GUANATOS  
ccm-manager config  
!  
mgcp  
mgcp call-agent CM-GUANATOS 2427 service-type mgcp version 0.1  
mgcp dtmf-relay voip codec all mode out-of-band  
mgcp rtp unreachable timeout 1000 action notify  
mgcp modem passthrough voip mode nse  
mgcp package-capability rtp-package  
no mgcp package-capability res-package  
mgcp package-capability sst-package  
no mgcp package-capability fxr-package  
mgcp package-capability pre-package
```



```
no mgcp timer receive-rtcp
mgcp sdp simple
mgcp fax t38 inhibit
mgcp rtp payload-type g726r16 static
!
mgcp profile default
!
!
!
dial-peer voice 999300 pots
service mgcpapp
port 3/0/0
!
dial-peer voice 999301 pots
service mgcpapp
port 3/0/1
!
dial-peer voice 999310 pots
service mgcpapp
port 3/1/0
!
dial-peer voice 999311 pots
service mgcpapp
port 3/1/1
!
dial-peer voice 999302 pots
service mgcpapp
port 3/0/2
!
dial-peer voice 999303 pots
service mgcpapp
port 3/0/3
!
!
line con 0
password cisco
stopbits 1
line aux 0
stopbits 1
line vty 0 4
password cisco
login
!
scheduler allocate 20000 1000
!
End
```

Router3845# **show version**

```
Cisco IOS Software, 3800 Software (C3845-IPVOICE-M), Version 12.3(14)T4, RELEASE
SOFTWARE (fc2)
```



Technical Support: <http://www.cisco.com/techsupport>  
Copyright (c) 1986-2005 by Cisco Systems, Inc.  
Compiled Thu 08-Sep-05 21:49 by kehsiao

ROM: System Bootstrap, Version 12.3(11r)T2, RELEASE SOFTWARE (fc1)

Router3845 uptime is 1 week, 2 days, 5 hours, 15 minutes  
System returned to ROM by power-on  
System image file is "flash:c3845-ipvoice-mz.123-14.T4.bin"

Cisco 3845 (revision 1.0) with 485376K/38912K bytes of memory.  
Processor board ID FTX0933A1JA  
2 Gigabit Ethernet interfaces  
55 Serial interfaces  
2 Channelized E1/PRI ports  
2 Channelized T1/PRI ports  
4 Voice FXO interfaces  
2 Voice FXS interfaces  
DRAM configuration is 64 bits wide with parity enabled.  
479K bytes of NVRAM.  
125184K bytes of ATA System CompactFlash (Read/Write)

Configuration register is 0x2102

Router3845#

Router3845#sh voice port 3/0/0

Foreign Exchange Office 3/0/0 Slot is 3, Sub-unit is 0, Port is 0  
Type of VoicePort is FXO  
Operation State is DORMANT  
Administrative State is UP  
The Last Interface Down Failure Cause is Administrative Shutdown  
Description is not set  
Noise Regeneration is enabled  
Non Linear Processing is enabled  
Non Linear Mute is disabled  
Non Linear Threshold is -21 dB  
Music On Hold Threshold is Set to -38 dBm  
In Gain is Set to 0 dB  
Out Attenuation is Set to 3 dB  
Echo Cancellation is enabled  
Echo Cancellation NLP mute is disabled  
Echo Cancellation NLP threshold is -21 dB  
Echo Cancel Coverage is set to 64 ms  
Echo Cancel worst case ERL is set to 6 dB  
Playout-delay Mode is set to adaptive  
Playout-delay Nominal is set to 60 ms  
Playout-delay Maximum is set to 250 ms  
Playout-delay Minimum mode is set to default, value 40 ms



Playout-delay Fax is set to 300 ms  
Connection Mode is normal  
Connection Number is not set  
Initial Time Out is set to 10 s  
Interdigit Time Out is set to 10 s  
Call Disconnect Time Out is set to 60 s  
Ringing Time Out is set to 180 s  
Wait Release Time Out is set to 30 s  
Companding Type is u-law  
Region Tone is set for US

Analog Info Follows:

Currently processing none  
Maintenance Mode Set to None (not in mtc mode)  
Number of signaling protocol errors are 8  
Impedance is set to 600r Ohm  
Station name None, Station number None  
Translation profile (Incoming):  
Translation profile (Outgoing):

Voice card specific Info Follows:

Signal Type is cama  
Cama Type is KP-NPD-NXX-XXXX-ST

NPD to NPA mapping is :

NPD	NPA
0	0
1	0
2	0
3	0

Battery-Reversal is enabled  
Number Of Rings is set to 1  
Supervisory Disconnect is signal  
Answer Supervision is inactive  
Hook Status is On Hook  
Ring Detect Status is inactive  
Ring Ground Status is inactive  
Tip Ground Status is inactive  
Dial Out Type is mf  
Digit Duration Timing is set to 100 ms  
InterDigit Duration Timing is set to 100 ms  
Pulse Rate Timing is set to 10 pulses/second  
InterDigit Pulse Duration Timing is set to 750 ms  
Percent Break of Pulse is 60 percent  
GuardOut timer is 2000 ms  
Minimum ring duration timer is 125 ms  
Hookflash-in Timing is set to 600 ms  
Hookflash-out Timing is set to 500 ms



Supervisory Disconnct Timing is set to 350 ms  
Router3845#

### Cisco Catalyst 6x00 Configuration

Console> (enable) **show snmp**

SNMP: Enabled

RMON: Disabled

Extended RMON Netflow Enabled : None.

Memory usage limit for new RMON entries: 85 percent

EngineId: 00:00:00:09:00:01:97:31:c8:00:00:00

Chassis Alias:

Traps Enabled: None

Port Traps Enabled: None

Community-Access Community-String

-----

read-only public

read-write private

read-write-all secret

Additional- Access-

Community-String Access-Type Number View

-----

Trap-Rec-Address Trap-Rec-Community Trap-Rec-Port Trap-Rec-Owner Trap-Rec-Index

-----

Console> (enable) **show cdp**

CDP : enabled

Message Interval : 60

Hold Time : 180

Version : V2

Device Id Format : Other

Console> (enable)

set interface sc0 109 172.20.8.20/255.255.255.0 172.20.8.255





## NEC IPX2400 Configuration

The NEC requires a substantial amount of programming and circuit card switch settings to properly install T1 PRI. It is beyond the scope of this document to provide the entire configuration, therefore the NEC information below is directed to NEC techs

**The switch settings and software references in this document assume a familiarity with the NEC 2400. It is highly recommended to have a NEC ISDN certified technician setup the NEC portion.**

Configure in the following sequence:

Install Circuit Card

Configure all software

### Circuit Card Configuration (PA-24PRTB)

Switch	Position	Description	Settings
MB		Make Busy	Down
LB	0	Internal Loop Back	Off
	1	External Loop Back	Off
	2	Payload Loop Back	Off
	3	Dch Control Block MBR	Off
SENSE (Rotary)		Protocol 0 = CCIS (NEC proprietary) 1 = NI2 3 = INS1500 5 = AT&T (#4 & #5 ESS) 7 = Nortel DMS100/DMS250 A = Q.SIG	A
SW0	1	ON = Impedance 100 ohms OFF = Impedance 110 ohms	ON
	2	XMT XFMR Ground	OFF
	3	RCV XFMR Ground	OFF
	4	Fixed On	ON
SW1	1	Digital PAD ROM Count Off = 2 ROM chips on board On = 3 ROM chips on board	OFF
	2	Fixed On	ON
	3	ON = 24B OFF = 23B + D	OFF
	4	D-Channel Packet Service	OFF
SW2	1	Equalizer	ON
	2	Equalizer	ON
	3	Equalizer	ON
	4	12/24 Multiframe	ON
	5	AMI/B8ZS	ON
	6	4K Data Link Control	ON



	7	4K Data Link Control	OFF
	8	Fixed ON	ON
SW3	1	RMT Alarm	OFF
	2	RMT Alarm	OFF
	3	Fixed Off	OFF
	4	All "1" Supervision	OFF
	5	Fixed On	ON
	6	Fixed On	ON
	7	Fixed On	ON
	8	Fixed On	ON
SW4	1	Fixed Off (Protocol Selection)	OFF
	2	ON = User OFF = Network	ON
	3	Dch Signal Logic	OFF
	4	Dch Speed Selection	ON
	5	Dch Speed Selection	ON
	6	Fixed On	ON
	7	Fixed On	ON
	8	Fixed On	ON
SW5	1	PAD	ON
	2	PAD	ON
	3	PAD	ON
	4	PAD	ON
	5	PAD	ON
	6	PAD	ON
	7	PAD	ON
	8	Idle Code	OFF

### Route (ARTD) Configuration

[IPX-R15\_IP::LRTD]

January 27, 2006

\* Route Class Data List \*  
 Starting Ending  
 RT 2 RT 3

RT 2

CDN	Data	CDN	Data	CDN	Data
001	OSGS 0	043	BT 1	085	CSEU 0
002	ONSG 2	044	PRV 0	086	CSEL 0
003	ISGS 0	045	A/D 1	087	CMP 0
004	INSG 2	046	CW 0	088	TALK 0
005	TF 3	047	TPQ 0	089	FOT 0
006	TCL 4	048	BL 0	090	RST 0
007	L/T 1	049	TRKS 0	091	TOCI 0
008	RLP 2	050	DPLY 1	092	TOCD 0
009	TQ 0	051	ACD 0	093	ODGD 0
010	SMDR 0	052	2W/4W 0	094	RLS 0
011	TD 0	053	FAAT 0	095	GWD 0
012	DR 0	054	GW 0	096	H1 0
013	AC 1	055	TCMA 0	097	DT 0
014	TNT 0	056	SMDR3 0	098	CI 0
015	LSG 12	057	HDT 0	099	OID 0
016	SMDR2 0	058	CD 0	100	TKS 0
017	H/M 0	059	CCH 0	101	PAD2 0
018	MC 0	060	TC/EC 0	102	TRM 0
019	ANI 0	061	IRE 0	103	TRPX 0
020	D 0	062	SCR 0	104	LDR 0
021	MSB 0	063	LYER1 0	105	TSC 0



022	MSW	0	064	NET	0	106	SATS	0
023	TR	0	065	INT	10	107	RVPX	0
024	OC	0	066	DC	4	108	DQ	0
025	R/L	0	067	HKS	0	109	SLOV	0
026	RVSD	0	068	SCF	0	110	SDTO	0
027	TL	0	069	SMDR4	0	111	ADVPR	0
028	ANS	1	070	TCMN	0	112	IND	1
029	TELP	0	071	TCMC	0	113	UUI	0
030	PAD	4	072	MFSP	0	114	DCH	0
031	OGRL	1	073	KPST	0	115	CMRT	0
032	ICRL	1	074	KPPT	0	116	PREF	0
033	HD	0	075	STC	0	117	DFS	0
034	GUARD	1	076	MC2	0	118	BOB	0
035	WINK	0	077	MT	0	119	HO1CH	0
036	VAD	0	078	STONE	0	120	IFR	0
037	CLD	0	079	PPTM	0	121	CONV	0
038	FA	0	080	MPTM	0	122	ORRT	0
039	BC	0	081	LPTM	0	123	CNI	0
040	TCM	0	082	RSAX	0	124	AOC	0
041	TDMQ	0	083	CST	0	125	MGCOT	0
042	TRSC	0	084	CSEG	0			

RT 3

CDN	Data	CDN	Data	CDN	Data			
001	OSGS	0	043	BT	0	085	CSEU	0
002	ONSG	0	044	PRV	0	086	CSEL	0
003	ISGS	0	045	A/D	0	087	CMP	0
004	INSG	0	046	CW	0	088	TALK	0
005	TF	0	047	TPQ	0	089	FOT	0
006	TCL	4	048	BL	0	090	RST	0
007	L/T	1	049	TRKS	0	091	TOCI	0
008	RLP	0	050	DPLY	0	092	TOCD	0
009	TQ	0	051	ACD	0	093	ODGD	0
010	SMDR	0	052	2W/4W	0	094	RLS	0
011	TD	0	053	FAAT	0	095	GWD	0
012	DR	0	054	GW	0	096	H1	0
013	AC	0	055	TCMA	0	097	DT	0
014	TNT	0	056	SMDR3	0	098	CI	0
015	LSG	13	057	HDT	0	099	OID	0
016	SMDR2	0	058	CD	0	100	TKS	0
017	H/M	0	059	CCH	0	101	PAD2	0
018	MC	0	060	TC/EC	0	102	TRM	0
019	ANI	0	061	IRE	0	103	TRPX	0
020	D	0	062	SCR	0	104	LDR	0
021	MSB	0	063	LYER1	0	105	TSC	0
022	MSW	0	064	NET	0	106	SATS	0
023	TR	0	065	INT	10	107	RVPX	0
024	OC	0	066	DC	0	108	DQ	0
025	R/L	0	067	HKS	0	109	SLOV	0
026	RVSD	0	068	SCF	0	110	SDTO	0
027	TL	0	069	SMDR4	0	111	ADVPR	0
028	ANS	1	070	TCMN	0	112	IND	0
029	TELP	0	071	TCMC	0	113	UUI	0
030	PAD	7	072	MFSP	0	114	DCH	0
031	OGRL	0	073	KPST	0	115	CMRT	0
032	ICRL	0	074	KPPT	0	116	PREF	0
033	HD	0	075	STC	0	117	DFS	0
034	GUARD	0	076	MC2	0	118	BOB	0
035	WINK	0	077	MT	0	119	HO1CH	0
036	VAD	0	078	STONE	0	120	IFR	0
037	CLD	0	079	PPTM	0	121	CONV	0
038	FA	0	080	MPTM	0	122	ORRT	0
039	BC	0	081	LPTM	0	123	CNI	0
040	TCM	0	082	RSAX	0	124	AOC	0
041	TDMQ	0	083	CST	0	125	MGCOT	0
042	TRSC	0	084	CSEG	0			



## NEC Software Release

DISS 03/31/05 10:08:19:965000 IPX-R15\_IP  
<Lookup:401A>  
Success:00:0000  
Get: Main Memory

Type	Version	Issue	Date
Main Memory	15	02.00	2003/10/09
Boot ROM	H	02.00	2002/11/20
IP	-	-	-
ACDP	-	-	-
MAT	15	02.00	2003/09/05
TCP/IP	5	01.00	2003/09/04
PHDP	2	02.00	2003/08/08

## Acronyms

Acronym	Definitions
CAMA	Analog "Centralized Automatic Message Accounting" E911 Trunk
PSAP	Public Service Answering Point

## Important Information

THE SPECIFICATIONS AND INFORMATION REGARDING THE PRODUCTS IN THIS MANUAL ARE SUBJECT TO CHANGE WITHOUT NOTICE. ALL STATEMENTS, INFORMATION, AND RECOMMENDATIONS IN THIS MANUAL ARE BELIEVED TO BE ACCURATE BUT ARE PRESENTED WITHOUT WARRANTY OF ANY KIND, EXPRESS OR IMPLIED. USERS MUST TAKE FULL RESPONSIBILITY FOR THEIR APPLICATION OF ANY PRODUCTS.

IN NO EVENT SHALL CISCO OR ITS SUPPLIERS BE LIABLE FOR ANY INDIRECT, SPECIAL, CONSEQUENTIAL, OR INCIDENTAL DAMAGES, INCLUDING, WITHOUT LIMITATION, LOST PROFITS OR LOSS OR DAMAGE TO DATA ARISING OUT OF THE USE OR INABILITY TO USE THIS MANUAL, EVEN IF CISCO OR ITS SUPPLIERS HAVE BEEN ADVISED OF THE POSSIBILITY OF SUCH DAMAGES.



### Corporate Headquarters

Cisco Systems, Inc.  
170 West Tasman Drive  
San Jose, CA 95134-1706  
USA  
www.cisco.com  
Tel: 408 526-4000  
800 553-NETS (6387)  
Fax: 408 526-4100

### European Headquarters

Cisco Systems International  
BV  
Haarlerbergpark  
Haarlerbergweg 13-19  
1101 CH Amsterdam  
The Netherlands  
www-europe.cisco.com  
Tel: 31 0 20 357 1000  
Fax: 31 0 20 357 1100

### Americas Headquarters

Cisco Systems, Inc.  
170 West Tasman Drive  
San Jose, CA 95134-1706  
USA  
www.cisco.com  
Tel: 408 526-7660  
Fax: 408 527-0883

### Asia Pacific Headquarters

Cisco Systems, Inc.  
Capital Tower  
168 Robinson Road  
#22-01 to #29-01  
Singapore 068912  
www.cisco.com  
Tel: +65 317 7777  
Fax: +65 317 7799

Cisco Systems has more than 200 offices in the following countries and regions. Addresses, phone numbers, and fax numbers are listed on the Cisco Web site at [www.cisco.com/go/offices](http://www.cisco.com/go/offices).

Argentina • Australia • Austria • Belgium • Brazil • Bulgaria • Canada • Chile • China PRC • Colombia • Costa Rica • Croatia • Czech Republic • Denmark • Dubai, UAE • Finland • France • Germany • Greece • Hong Kong SAR • Hungary • India • Indonesia • Ireland • Israel • Italy • Japan • Korea • Luxembourg • Malaysia • Mexico • The Netherlands • New Zealand • Norway • Peru • Philippines • Poland • Portugal • Puerto Rico • Romania • Russia • Saudi Arabia • Scotland • Singapore • Slovakia • Slovenia • South Africa • Spain • Sweden • Switzerland • Taiwan • Thailand • Turkey • Ukraine • United Kingdom • United States • Venezuela • Vietnam • Zimbabwe

© 2006 Cisco Systems, Inc. All rights reserved.

CCSP, CCVP, the Cisco Square Bridge logo, Follow Me Browsing, and StackWise are trademarks of Cisco Systems, Inc.; Changing the Way We Work, Live, Play, and Learn, and iQuick Study are service marks of Cisco Systems, Inc.; and Access Registrar, Aironet, BPX, Catalyst, CCDA, CCDP, CCIE, CCIP, CCNA, CCNP, Cisco, the Cisco Certified Internetwork Expert logo, Cisco IOS, Cisco Press, Cisco Systems, Cisco Systems Capital, the Cisco Systems logo, Cisco Unity, Enterprise/Solver, EtherChannel, EtherFast, EtherSwitch, Fast Step, FormShare, GigaDrive, GigaStack, HomeLink, Internet Quotient, IOS, IP/TV, iQ Expertise, the iQ logo, iQ Net Readiness Scorecard, LightStream, Linksys, MeetingPlace, MGX, the Networkers logo, Networking Academy, Network Registrar, Packet, PIX, Post-Routing, Pre-Routing, ProConnect, RateMUX, ScriptShare, SlideCast, SMARTnet, The Fastest Way to Increase Your Internet Quotient, and TransPath are registered trademarks of Cisco Systems, Inc. and/or its affiliates in the United States and certain other countries.

All other trademarks mentioned in this document or Website are the property of their respective owners. The use of the word partner does not imply a partnership relationship between Cisco and any other company. (0601R)

Printed in the USA