



# Cisco CallManager Release 4.01 and Cisco Emergency Responder 1.2(3) PBX Interoperability: Nortel Meridian PBX using a Cisco Catalyst 6608 Gateway with T1 PRI as MGCP

## DISCLAIMER/NOTICE

THE SPECIFICATIONS AND INFORMATION REGARDING THE PRODUCTS IN THIS DOCUMENT ARE SUBJECT TO CHANGE WITHOUT NOTICE. ALL STATEMENTS, INFORMATION, AND RECOMMENDATIONS IN THIS DOCUMENT ARE BELIEVED TO BE ACCURATE BUT ARE PRESENTED WITHOUT WARRANTY OF ANY KIND, EXPRESS OR IMPLIED. USERS MUST TAKE FULL RESPONSIBILITY FOR THEIR APPLICATION OF ANY PRODUCTS.

THE CUSTOMER ASSUMES ALL RESPONSIBILITY FOR PROPERLY CONFIGURING THE CISCO EMERGENCY RESPONDER. CISCO HEREBY DISCLAIMS ANY AND ALL LIABILITY ARISING FROM OR IN CONNECTION WITH A USER'S INABILITY TO ACCESS EMERGENCY SERVICE RESPONDERS (INCLUDING INABILITY TO REACH A PUBLIC SAFETY ANSWERING POINT) OR THE INABILITY OF EMERGENCY SERVICE RESPONDERS TO IDENTIFY A USER'S LOCATION. CISCO STRONGLY RECOMMENDS THAT ALL CUSTOMERS VERIFY AND TEST CONFIGURATION OF THE CISCO EMERGENCY RESPONDER IMMEDIATELY FOLLOWING INITIAL CONFIGURATION AND ON A PERIODIC BASIS THEREAFTER. CISCO FURTHER RECOMMENDS THAT ALL CUSTOMERS PROVIDE ADEQUATE TRUNK AND BANDWIDTH CAPACITY TO ENSURE THAT AUDIO PATHS ARE AVAILABLE FOR EMERGENCY CALLS.

IN NO EVENT SHALL CISCO OR ITS SUPPLIERS BE LIABLE FOR ANY INDIRECT, SPECIAL, CONSEQUENTIAL, OR INCIDENTAL DAMAGES, INCLUDING, WITHOUT LIMITATION, LOST PROFITS OR LOSS OR DAMAGE TO DATA ARISING OUT OF THE USE OR INABILITY TO USE THIS PRODUCT, EVEN IF CISCO OR ITS SUPPLIERS HAVE BEEN ADVISED OF THE POSSIBILITY OF SUCH DAMAGES.

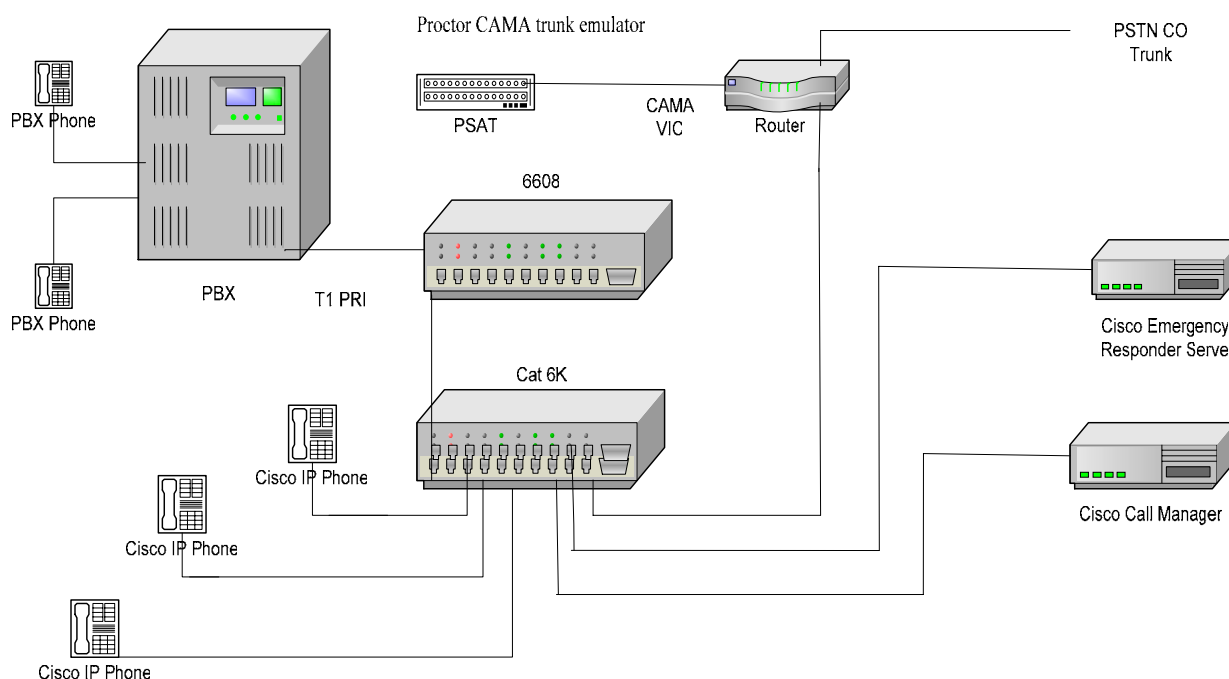


## Introduction

- The following is an application note for interoperability of a Cisco CallManager, Cisco Emergency Responder and Cisco 2600XM CAMA interface with an Nortel Meridian Option 11 PBX using a Cisco Catalyst 6608 Gateway-T1 PRI as a MGCP
- The Network Topology diagram (figure 1) shows the test set-up for interoperability between the Cisco CallManager and Cisco Emergency Responder connected to the PBX via a T1 PRI trunk using Cisco Catalyst 6608 Gateway Emergency 911 calls made from a Nortel Meridian Option 11 PBX utilizing a T1 PRI trunk configured as DMS-100, associates with the correct Emergency Response Location and routes to the associated PSAP with the correctly formatted 10 digit DID call back number. The call back DID number routes the return call to the correct phone that had originated the E911 call from the PBX digital phone.

## Network Topology

**Figure 1.** Network Topology Test Setup



## Limitations

- Calling Number must be supported to identify the calling party for Emergency Response Location identification.
- Unique DID numbers must be used to associate with each Emergency Response Location to allow the return call if the 911 caller is disconnected.
- Each available calling party that might dial 911 from the PBX side must have that calling party number configured in the Manually Configured Phones screen of the Cisco Emergency Responder.
- The Nortel Meridian Opt11C supports "User" side only when switch type is set to DMS-100.



## System Components

### Hardware Requirements

- Cisco Catalyst 6608 Gateway with T1 Ports installed in a Cisco Cat6k switch
- Cisco 2611XM with CAMA Interface
  - Cisco Cat6k Switch
  - Cisco CallManager
  - Cisco Emergency Responder
- PBX hardware including interface card
- Nortel Meridian Option 11

### Software Requirements

- Cisco CallManager 4.01
- Cisco Emergency Responder 1.2(3)
  - Cisco IOS Software releases c2600-ipvoice-mz.123-10
  - PBX software release: VERSION 2111, RELEASE 24, ISSUE 24

## Features

### Features Supported

- Calling Number
- E911 ERL DID number passed to PSAP
- Incoming DID routing to disconnected 911 caller origination

### Features Not Supported

None noted

## Configuration

### Configuring the Nortel Meridian Option 11

\*\*\*\*\*

Nortel Version:

```
>ld 22
```

```
PT2000
```

```
REQ iss
```

```
VERSION 2111
```

```
RELEASE 24
```

```
ISSUE 24
```



\*\*\*\*\*  
Common Equipments configured in the Nortel:

REQ prt

TYPE cequ

CEQU

MPED 8D

SUPL 000 004 008 012

016 032 036 040

044 048 064 068

072

XCT 000

CONF 029 030 031 062

094 095

DLOP NUM DCH FRM LCMT YALM T1TE TRSH

PRI 003 23 ESF B8S FDL - 00

004 23 ESF B8S FDL - 00

PRI2 07 08 09

DTI2 05 06

MISP

\*\*\*\*\*  
ISDN D-channel configuration for the T1 PRI:

REQ prt

TYPE adan dch 3

ADAN DCH 3

CTYP MSDL



CARD 03  
PORT 1  
DES T1\_100  
USR PRI  
DCHL 3  
OTBF 32  
PARM RS422 DTE  
DRAT 64KC  
CLOK EXT  
IFC D100  
SIDE USR  
CNEG 1  
RLS ID \*\*  
RCAP ND2 MWI  
MBGA NO  
OVLN NO  
OVLS NO  
T200 3  
T203 10  
N200 3  
N201 260  
K 7

REQ

\*\*\*\*\*  
Route Data Block information:

>ld 21  
PT1000

REQ: prt



TYPE: rdb

CUST 1

SCH0152

CUST 0

ROUT 111

TYPE RDB

CUST 00

DMOD

ROUT 111

DES T1\_D100

TKTP TIE

ESN NO

CNVT NO

SAT NO

RCLS EXT

DTRK YES

BRIP NO

DGTP PRI

ISDN YES

MODE PRA

IFC D100

SBN NO

PNI 00000

NCNA YES

NCRD NO

CHTY BCH

CTYP UKWN

INAC NO

ISAR NO



DAPC NO  
BCOT 0  
DSEL VOD  
PTYP PRI  
AUTO NO  
DNIS NO  
DCDR NO  
ICOG IAO  
SRCH RRB  
TRMB YES  
STEP  
ACOD 4444  
TCPP NO  
PII NO  
TARG 01  
CLEN 1  
BILN NO  
OABS  
INST  
ANTK  
SIGO STD  
ICIS YES  
TIMR ICF 512  
OGF 512  
EOD 13952  
NRD 10112  
DDL 70  
ODT 4096  
RGV 640  
GRD 896  
SFB 3  
NBS 2048



NBL 4096

TFD 0

DRNG NO

CDR NO

MUS NO

OHQ NO

OHQT 00

CBQ NO

AUTH NO

TTBL 0

PLEV 2

ALRM NO

ART 0

SGRP 0

AACR NO

REQ:

\*\*\*\*\*

Trunk Numbering Block information:

>ld 20

PT0000

REQ: prt

TYPE: tnb

TN 3

CUST 0

DATE

PAGE

DES





TN 003 01  
TYPE TIE  
CDEN SD  
CUST 0  
TRK PRI  
PDCA 1  
PCML MU  
NCOS 0  
RTMB 111 1  
B-CHANNEL SIGNALING  
TGAR 0  
AST NO  
IAPG 0  
CLS UNR DTN CND WTA LPR APN THFD HKD  
P10 VNL

TKID  
TN 003 02  
TYPE TIE  
CDEN SD  
CUST 0  
TRK PRI  
PDCA 1  
PCML MU  
NCOS 0  
RTMB 111 2  
B-CHANNEL SIGNALING  
TGAR 0  
AST NO  
IAPG 0  
CLS UNR DTN CND WTA LPR APN THFD HKD  
P10 VNL  
TKID



TN 003 03

TYPE TIE

CDEN SD

CUST 0

TRK PRI

PDCA 1

PCML MU

NCOS 0

RTMB 111 3

B-CHANNEL SIGNALING

TGAR 0

AST NO

IAPG 0

CLS UNR DTN CND WTA LPR APN THFD HKD

P10 VNL

TKID

TN 003 04

TYPE TIE

CDEN SD

CUST 0

TRK PRI

PDCA 1

PCML MU

NCOS 0

RTMB 111 4

B-CHANNEL SIGNALING

TGAR 0

AST NO

IAPG 0

CLS UNR DTN CND WTA LPR APN THFD HKD

P10 VNL

TKID



TN 003 05

TYPE TIE

CDEN SD

CUST 0

TRK PRI

PDCA 1

PCML MU

NCOS 0

RTMB 111 5

B-CHANNEL SIGNALING

TGAR 0

AST NO

IAPG 0

CLS UNR DTN CND WTA LPR APN THFD HKD

P10 VNL

TKID

TN 003 06

TYPE TIE

CDEN SD

CUST 0

TRK PRI

PDCA 1

PCML MU

NCOS 0

RTMB 111 6

B-CHANNEL SIGNALING

TGAR 0

AST NO

IAPG 0

CLS UNR DTN CND WTA LPR APN THFD HKD

P10 VNL

TKID



TN 003 07

TYPE TIE

CDEN SD

CUST 0

TRK PRI

PDCA 1

PCML MU

NCOS 0

RTMB 111 7

B-CHANNEL SIGNALING

TGAR 0

AST NO

IAPG 0

CLS UNR DTN CND WTA LPR APN THFD HKD

P10 VNL

TKID

TN 003 08

TYPE TIE

CDEN SD

CUST 0

TRK PRI

PDCA 1

PCML MU

NCOS 0

RTMB 111 8

B-CHANNEL SIGNALING

TGAR 0

AST NO

IAPG 0

CLS UNR DTN CND WTA LPR APN THFD HKD

P10 VNL

TKID



TN 003 09  
TYPE TIE  
CDEN SD  
CUST 0  
TRK PRI  
PDCA 1  
PCML MU  
NCOS 0  
RTMB 111 9  
B-CHANNEL SIGNALING  
TGAR 0  
AST NO  
IAPG 0  
CLS UNR DTN CND WTA LPR APN THFD HKD  
P10 VNL  
TKID  
TN 003 10  
TYPE TIE  
CDEN SD  
CUST 0  
TRK PRI  
PDCA 1  
PCML MU  
NCOS 0  
RTMB 111 10  
B-CHANNEL SIGNALING  
TGAR 0  
AST NO  
IAPG 0  
CLS UNR DTN CND WTA LPR APN THFD HKD  
P10 VNL  
TKID



TN 003 11  
TYPE TIE  
CDEN SD  
CUST 0  
TRK PRI  
PDCA 1  
PCML MU  
NCOS 0  
RTMB 111 11  
B-CHANNEL SIGNALING  
TGAR 0  
AST NO  
IAPG 0  
CLS UNR DTN CND WTA LPR APN THFD HKD  
P10 VNL  
TKID  
TN 003 12  
TYPE TIE  
CDEN SD  
CUST 0  
TRK PRI  
PDCA 1  
PCML MU  
NCOS 0  
RTMB 111 12  
B-CHANNEL SIGNALING  
TGAR 0  
AST NO  
IAPG 0  
CLS UNR DTN CND WTA LPR APN THFD HKD  
P10 VNL  
TKID



TN 003 13  
TYPE TIE  
CDEN SD  
CUST 0  
TRK PRI  
PDCA 1  
PCML MU  
NCOS 0  
RTMB 111 13  
B-CHANNEL SIGNALING  
TGAR 0  
AST NO  
IAPG 0  
CLS UNR DTN CND WTA LPR APN THFD HKD  
P10 VNL  
TKID  
TN 003 14  
TYPE TIE  
CDEN SD  
CUST 0  
TRK PRI  
PDCA 1  
PCML MU  
NCOS 0  
RTMB 111 14  
B-CHANNEL SIGNALING  
TGAR 0  
AST NO  
IAPG 0  
CLS UNR DTN CND WTA LPR APN THFD HKD  
P10 VNL  
TKID



TN 003 15  
TYPE TIE  
CDEN SD  
CUST 0  
TRK PRI  
PDCA 1  
PCML MU  
NCOS 0  
RTMB 111 15  
B-CHANNEL SIGNALING  
TGAR 0  
AST NO  
IAPG 0  
CLS UNR DTN CND WTA LPR APN THFD HKD  
P10 VNL  
TKID  
TN 003 16  
TYPE TIE  
CDEN SD  
CUST 0  
TRK PRI  
PDCA 1  
PCML MU  
NCOS 0  
RTMB 111 16  
B-CHANNEL SIGNALING  
TGAR 0  
AST NO  
IAPG 0  
CLS UNR DTN CND WTA LPR APN THFD HKD  
P10 VNL  
TKID





TN 003 17  
TYPE TIE  
CDEN SD  
CUST 0  
TRK PRI  
PDCA 1  
PCML MU  
NCOS 0  
RTMB 111 17  
B-CHANNEL SIGNALING  
TGAR 0  
AST NO  
IAPG 0  
CLS UNR DTN CND WTA LPR APN THFD HKD  
P10 VNL

TKID

TN 003 18  
TYPE TIE  
CDEN SD  
CUST 0  
TRK PRI  
PDCA 1  
PCML MU  
NCOS 0  
RTMB 111 18  
B-CHANNEL SIGNALING  
TGAR 0  
AST NO  
IAPG 0  
CLS UNR DTN CND WTA LPR APN THFD HKD



P10 VNL

TKID

TN 003 19

TYPE TIE

CDEN SD

CUST 0

TRK PRI

PDCA 1

PCML MU

NCOS 0

RTMB 111 19

B-CHANNEL SIGNALING

TGAR 0

AST NO

IAPG 0

CLS UNR DTN CND WTA LPR APN THFD HKD

P10 VNL

TKID

TN 003 20

TYPE TIE

CDEN SD

CUST 0

TRK PRI

PDCA 1

PCML MU

NCOS 0

RTMB 111 20

B-CHANNEL SIGNALING

TGAR 0

AST NO

IAPG 0

CLS UNR DTN CND WTA LPR APN THFD HKD



P10 VNL

TKID

TN 003 21

TYPE TIE

CDEN SD

CUST 0

TRK PRI

PDCA 1

PCML MU

NCOS 0

RTMB 111 21

B-CHANNEL SIGNALING

TGAR 0

AST NO

IAPG 0

CLS UNR DTN CND WTA LPR APN THFD HKD

P10 VNL

TKID

TN 003 22

TYPE TIE

CDEN SD

CUST 0

TRK PRI

PDCA 1

PCML MU

NCOS 0

RTMB 111 22

B-CHANNEL SIGNALING

TGAR 0

AST NO

IAPG 0

CLS UNR DTN CND WTA LPR APN THFD HKD



P10 VNL

TKID

TN 003 23

TYPE TIE

CDEN SD

CUST 0

TRK PRI

PDCA 1

PCML MU

NCOS 0

RTMB 111 23

B-CHANNEL SIGNALING

TGAR 0

AST NO

IAPG 0

CLS UNR DTN CND WTA LPR APN THFD HKD

P10 VNL

TKID

NACT

REQ:

\*\*\*\*\*  
Digital phone configuration:

> ld 11

SL1000

MEM AVAIL: (U/P): 1340417      USED U P: 105177 28965      TOT: 1474559

SCH5066

TNS      AVAIL:    106      USED:      94      TOT:      200

ACD AGENTS AVAIL:    300      USED:      0      TOT:      300



AST AVAIL: 100 USED: 0 TOT: 100  
DIGITAL TELEPHONES AVAIL: 2497 USED: 3 TOT: 2500

REQ: prt  
TYPE: 2616  
TN 1  
CUST 0  
DATE  
PAGE  
DES

DES TEST1  
TN 001 0 00 00

TYPE 2616

CDEN 8D

CUST 0

AOM 0

FDN

TGAR 0

LDN NO

NCOS 0

SGRP 0

RNPG 0

SCI 0

SSU

LNRS 16

XLST

CLS CTD FBD WTA LPR MTD FND HTD ADD HFA

MWD LMPN RMMD SMWD AAD IMD XHD IRD NID OLD VCE DRG1

POD DSX VMD CMSD CCSD SWD LNA CNDA

CFTD SFD MRD DDV CNID CDCA MSID DAPA BFED RCBD



ICDD CDMD LLCN MCTD CLBD AUTU

GPUD DPUD DNDA CFXA ARHD CLTD ASCD

CPFA CPTA ABDD CFHD FICD NAID BUZZ AHD

DDGA NAMA

DRDD EXR0

USMD USRD ULAD RTDD RBDD RBHD PGND FLXD FTTC DNDY DNO3

CPND\_LANG ENG

HUNT

PLEV 02

AST

IAPG 0

AACS NO

ITNA NO

DGRP

MLWU\_LANG 0

DNDR 0

KEY 00 SCR 2601 0 MARP

CPND

NAME ernie

XPLN 27

DISPLAY\_FMT FIRST, LAST

01 SCR 2610 0 MARP

02

03 CFW 12 2004

04 AO6

05 TRN

06 DSP

07

08 ADL 16

09 ADL 16



10 ADL 16

11 ADL 16

12 ADL 16

13 ADL 16

14 ADL 16

15

DES TEST2

TN 001 0 00 01

TYPE 2616

CDEN 8D

CUST 0

AOM 0

FDN

TGAR 0

LDN NO

NCOS 0

SGRP 0

RNPG 0

SCI 0

SSU

LNRS 16

XLST

CLS CTD FBD WTA LPR MTD FND HTD ADD HFA

MWA LMPN RMMD SMWD AAD IMD XHD IRD NID OLD VCE DRG1

POD DSX VMD CMSD CCSD SWD LNA CNDA

CFTD SFD MRD DDV CNID CDCA MSID DAPA BFED RCBD

ICDD CDMD LLCN MCTD CLBD AUTU

GPUD DPUD DNDA CFXA ARHD CLTD ASCD

CPFA CPTA ABDD CFHD FICD NAID BUZZ AHD

DDGA NAMA



DRDD EXR0

USMD USRD ULAD RTDD RBDD RBHD PGND FLXD FTTC DNDY DNO3

CPND\_LANG ENG

RCO 0

HUNT

PLEV 02

AST

IAPG 0

AACS NO

ITNA NO

DGRP

MLWU\_LANG 0

DNDR 0

KEY 00 SCR 2602 0 MARP

CPND

NAME bert

XPLN 27

DISPLAY\_FMT FIRST, LAST

01 SCR 2612 0 MARP

02

03 CFW 12 2005

04 AO6

05 TRN

06 DSP

07

08 ADL 16

09 ADL 16

10 ADL 16

11 ADL 16

12 ADL 16





13 ADL 16

14 ADL 16

15

DES TEST1

TN 001 0 00 04

TYPE 2616

CDEN 8D

CUST 0

AOM 0

FDN

TGAR 0

LDN NO

NCOS 0

SGRP 0

RNPG 0

SCI 0

SSU

LNRS 16

XLST

CLS CTD FBD WTA LPR MTD FND HTD ADD HFA

MWD LMPN RMMD SMWD AAD IMD XHD IRD NID OLD VCE DRG1

POD DSX VMD CMSD CCSD SWD LNA CNDA

CFTD SFD MRD DDV CNID CDCA MSID DAPA BFED RCBD

ICDD CDMD LLCN MCTD CLBD AUTU

GPUD DPUD DNDA CFXA ARHD CLTD ASCD

CPFA CPTA ABDD CFHD FICD NAID BUZZ AHD

DDGA NAMA

DRDD EXR0

USMD USRD ULAD RTDD RBDD RBHD PGND FLXD FTTC DNDY DNO3

CPND\_LANG ENG



HUNT

PLEV 02

AST

IAPG 0

AACS NO

ITNA NO

DGRP

MLWU\_LANG 0

DNDR 0

KEY 00 SCR 2603 0 MARP

CPND

NAME PHONE A

XPLN 27

DISPLAY\_FMT FIRST, LAST

01 SCR 2610 0

02

03 CFW 12 7103003

04 AO6

05 TRN

06 DSP

07

08 ADL 16

09 ADL 16

10 ADL 16

11 ADL 16

12 ADL 16

13 ADL 16

14 ADL 16

15



NACT

DTC105

## Configuring Cisco CallManager 4.01

System Route Plan Service Feature Device User Application Help

**Cisco CallManager Administration**  
For Cisco IP Telephony Solutions

CISCO SYSTEMS

### Cisco CallManager Configuration

[Add a New Cisco CallManager](#)  
[Configure server \(172.20.16.250\)](#)  
[Trace Configuration](#)  
[Back to Find/List Cisco CallManagers](#)  
[Dependency Records](#)

**Cisco CallManager: 172.20.16.250 (172.20.16.250) on 172.20.16.250**  
**CTI ID: 1**

Status: Ready

Copy Update Delete Reset Devices

#### Server Information

Cisco CallManager Name*	172.20.16.250
Description	172.20.16.250

#### Auto-registration Information

Starting Directory Number*	2000
Ending Directory Number*	2010
Partition	E911Phones
External Phone Number Mask	

Auto-registration Disabled on this Cisco CallManager

#### Cisco CallManager TCP Port Settings for this Server

Ethernet Phone Port*	2000
Digital Port*	2008
Analog Port*	2010
MGCP Listen Port*	2427
MGCP Keep-alive Port*	2428

\* indicates required item.



## Partition Configuration

[Add a New Partition](#)  
[Back to Find/List Partitions](#)  
[Dependency Records](#)

Partition: E911Phones

Status: Ready

Partition Name\*

Description

\* indicates required item



## Calling Search Space Configuration

[Add New Calling Search Space](#)  
[Back to Find/List Calling Search Spaces](#)  
[Dependency Records](#)

Calling Search Space: E911CSS (in use)

Status: Ready

### Calling Search Space Information

Calling Search Space Name\*

Description

### Route Partitions for this Calling Search Space

Find Partitions containing

Available Partitions

Selected Partitions\*  
(ordered by highest priority)

\* indicates required item



## Route/Hunt List Detail Configuration

[Add a new Route/Hunt List](#)  
[Configure Route Group \(E911\)](#)  
[Back to Route/Hunt List Configuration](#)  
[Back to Find/List Route/Hunt Lists](#)

### Route/Hunt List Details

E911

Route/Hunt List: E911  
Route Group: E911

Status: Ready

The settings on this page override the settings of the same name on the Route Pattern/Hunt Pilot page. These settings are used for calls routed through this member of the current Route/Hunt List only.

#### Details for E911

##### Calling Party Transformations

Use Calling Party's External Phone Number Mask

Calling Party Transform Mask

Prefix Digits (Outgoing Calls)

##### Called Party Transformations

Dial Plan\*

Discard Digits   
(Using North American Numbering Plan)

Called Party Transform Mask

Prefix Digits (Outgoing Calls)

\* indicates required item



## Route/Hunt List Configuration

[Add a new Route/Hunt List](#)  
[Back to Find/List Route/Hunt Lists](#)  
[Dependency Records](#)

### Route/Hunt List Details

E911

Route/Hunt List: E911

Status: Ready

#### Route/Hunt List Information

Route/Hunt List Name\*

Description

Cisco CallManager Group\*

Enable this Route/Hunt List (change effective on Update; no reset required)

#### Route/Hunt List Member Information

Selected Groups\* (ordered by highest priority)

Removed Groups (to be removed from Route/Hunt List when you click Update)

\* indicates required item



# Route Group Configuration

[Add new Route Group](#)  
[Back to Find/List Route Groups](#)  
[Dependency Records](#)

### Route Group Members

- AALN/S1/SU0/0@2611XM  
 -CAMA
- AALN/S1/SU0/1@2611XM  
 -CAMA

### Route Group: E911

Status: Ready

### Route Group Information

Route Group Name\*

Distribution Algorithm\*

### Route Group Member Information

#### Find Devices to Add to Route Group

Device Name contains

Available Devices  
(select device, then  
select port below)

- AALN/S1/SU1/0@2611XM-CAMA
- AALN/S1/SU1/1@2611XM-CAMA

Port(s)

### Current Route Group Members

Selected Devices\*  
(ordered by highest  
priority)

- AALN/S1/SU0/0@2611XM-CAMA (All Ports)
- AALN/S1/SU0/1@2611XM-CAMA (All Ports)

Removed Devices  
(to be removed from  
Route Group when  
you click Update)

\* indicates required item



## Find and List Route Patterns/Hunt Pilots

[Add a New Route Pattern/Hunt Pilot](#)

6 matching record(s) for Pattern begins with ""

Find Route Patterns/Hunt Pilots where  begins with

and show  items per page

To list all items, click Find without entering any search text.

Matching record(s) 1 to 6 of 6

<input type="checkbox"/>	Route Pattern/Hunt Pilot	Partition	Description	Route Filter	Gateway/Route List	Copy
<input type="checkbox"/>	100911.	E911Phones	default		E911	
<input type="checkbox"/>	101911.	E911Phones	High School ...		E911	
<input type="checkbox"/>	102911.	E911Phones	Education Ce...		E911	
<input type="checkbox"/>	103911.	E911Phones	Elementary I...		E911	
<input type="checkbox"/>	104911.	E911Phones	Nortel Merid...		E911	
<input type="checkbox"/>	260[3-4]	E911Phones	Nortel Merid...		S0/DS1-0@SDA0001C...	

[First](#) [Previous](#) [Next](#) [Last](#)

Page  of 1



## Route Pattern/Hunt Pilot Configuration

[Add a New Route Pattern/Hunt Pilot](#)  
[Back to Find/List Route Patterns and Hunt Pilots](#)

Route Pattern/Hunt Pilot: 100911.

Status: Ready

Note: Any update to this Route Pattern or Hunt Pilot automatically resets the associated gateway or Route/Hunt List

### Pattern Definition

Route Pattern/Hunt Pilot*	<input type="text" value="100911."/>	
Partition	<input type="text" value="E911Phones"/>	
Description	<input type="text" value="default"/>	
Numbering Plan*	<input type="text" value="North American Numbering Plan"/>	
Route Filter	<input type="text" value=" &lt; None &gt;"/>	
MLPP Precedence	<input type="text" value="Default"/>	
Gateway or Route/Hunt List*	<input type="text" value="E911"/> <a href="#">(Edit)</a>	
Route Option	<input checked="" type="radio"/> Route this pattern <input type="radio"/> Block this pattern <input type="text" value=" - Not Selected -"/>	
<input checked="" type="checkbox"/> Provide Outside Dial Tone	<input type="checkbox"/> Allow Overlap Sending	<input type="checkbox"/> Urgent Priority

### Calling Party Transformations

Use Calling Party's External Phone Number Mask

Calling Party Transform Mask	<input type="text"/>
Prefix Digits (Outgoing Calls)	<input type="text"/>
Calling Line ID Presentation	<input type="text" value="Default"/>
Calling Name Presentation	<input type="text" value="Default"/>

### Connected Party Transformations

Connected Line ID Presentation	<input type="text" value="Default"/>
Connected Name Presentation	<input type="text" value="Default"/>

### Called Party Transformations

Discard Digits	<input type="text" value="PreDot"/>
Called Party Transform Mask	<input type="text"/>
Prefix Digits (Outgoing Calls)	<input type="text" value="4089997000"/>

### ISDN Network-Specific Facilities Information Element

Carrier Identification Code	<input type="text"/>				
Network Service Protocol	<input type="text" value=" - Not Selected -"/>				
Network Service	<input type="text" value=" - Not Selected -"/>	Service Parameter Name	<input type="text" value=" &lt; Not Exist &gt;"/>	Service Parameter Value	<input type="text"/>

\* indicates required item.





## Route Pattern/Hunt Pilot Configuration

[Add a New Route Pattern/Hunt Pilot](#)  
[Back to Find/List Route Patterns and Hunt Pilots](#)

Route Pattern/Hunt Pilot: 102911.

Status: Ready

Note: Any update to this Route Pattern or Hunt Pilot automatically resets the associated gateway or Route/Hunt List

### Pattern Definition

Route Pattern/Hunt Pilot*	<input type="text" value="102911."/>	
Partition	<input type="text" value="E911Phones"/>	
Description	<input type="text" value="Education Center IP Phone"/>	
Numbering Plan*	<input type="text" value="North American Numbering Plan"/>	
Route Filter	<input type="text" value="&lt; None &gt;"/>	
MLPP Precedence	<input type="text" value="Default"/>	
Gateway or Route/Hunt List*	<input type="text" value="E911"/> <a href="#">(Edit)</a>	
Route Option	<input checked="" type="radio"/> Route this pattern <input type="radio"/> Block this pattern <input type="text" value="— Not Selected —"/>	
<input checked="" type="checkbox"/> Provide Outside Dial Tone	<input type="checkbox"/> Allow Overlap Sending	<input type="checkbox"/> Urgent Priority

### Calling Party Transformations

Use Calling Party's External Phone Number Mask

Calling Party Transform Mask	<input type="text"/>
Prefix Digits (Outgoing Calls)	<input type="text"/>
Calling Line ID Presentation	<input type="text" value="Default"/>
Calling Name Presentation	<input type="text" value="Default"/>

### Connected Party Transformations

Connected Line ID Presentation	<input type="text" value="Default"/>
Connected Name Presentation	<input type="text" value="Default"/>

### Called Party Transformations

Discard Digits	<input type="text" value="PreDot"/>
Called Party Transform Mask	<input type="text"/>
Prefix Digits (Outgoing Calls)	<input type="text" value="4089997002"/>

### ISDN Network-Specific Facilities Information Element

Carrier Identification Code	<input type="text"/>				
Network Service Protocol	<input type="text" value="— Not Selected —"/>				
Network Service	<input type="text" value="— Not Selected —"/>	Service Parameter Name	<input type="text" value="&lt; Not Exist &gt;"/>	Service Parameter Value	<input type="text"/>

\* indicates required item.



# Route Pattern/Hunt Pilot Configuration

[Add a New Route Pattern/Hunt Pilot](#)  
[Back to Find/List Route Patterns and Hunt Pilots](#)

Route Pattern/Hunt Pilot: 104911.

Status: Ready

Note: Any update to this Route Pattern or Hunt Pilot automatically resets the associated gateway or Route/Hunt List

### Pattern Definition

Route Pattern/Hunt Pilot*	<input type="text" value="104911."/>	
Partition	<input type="text" value="E911Phones"/>	
Description	<input type="text" value="Nortel Meridian T1 PRI"/>	
Numbering Plan*	<input type="text" value="North American Numbering Plan"/>	
Route Filter	<input type="text" value="&lt; None &gt;"/>	
MLPP Precedence	<input type="text" value="Default"/>	
Gateway or Route/Hunt List*	<input type="text" value="E911"/> <a href="#">(Edit)</a>	
Route Option	<input checked="" type="radio"/> Route this pattern <input type="radio"/> Block this pattern <input type="text" value="— Not Selected —"/>	
<input checked="" type="checkbox"/> Provide Outside Dial Tone	<input type="checkbox"/> Allow Overlap Sending	<input type="checkbox"/> Urgent Priority

### Calling Party Transformations

Use Calling Party's External Phone Number Mask

Calling Party Transform Mask	<input type="text"/>
Prefix Digits (Outgoing Calls)	<input type="text"/>
Calling Line ID Presentation	<input type="text" value="Default"/>
Calling Name Presentation	<input type="text" value="Default"/>

### Connected Party Transformations

Connected Line ID Presentation	<input type="text" value="Default"/>
Connected Name Presentation	<input type="text" value="Default"/>

### Called Party Transformations

Discard Digits	<input type="text" value="PreDot"/>
Called Party Transform Mask	<input type="text"/>
Prefix Digits (Outgoing Calls)	<input type="text" value="4089997004"/>

### ISDN Network-Specific Facilities Information Element

Carrier Identification Code	<input type="text"/>				
Network Service Protocol	<input type="text" value="— Not Selected —"/>				
Network Service	<input type="text" value="— Not Selected —"/>	Service Parameter Name	<input type="text" value="&lt; Not Exist &gt;"/>	Service Parameter Value	<input type="text"/>

\* indicates required item.



## Find and List Translation Patterns

[Add a New Translation Pattern](#)

1 matching record(s) for Pattern begins with ""

Find Translation patterns where  begins with    
and show  items per page

To list all items, click Find without entering any search text.

Matching record(s) 1 to 1 of 1

<input type="checkbox"/>	Translation Pattern	Partition	Description	Route Filter	Copy
<input type="checkbox"/>	 7XXX	E911Phones			

[First](#) [Previous](#) [Next](#) [Last](#)

Page  of 1



## Translation Pattern Configuration

[Add a New Translation Pattern](#)  
[Back to Find/List Translation Patterns](#)

Translation Pattern: 7XXX

Status: Ready

### Pattern Definition

Translation Pattern	<input type="text" value="7XXX"/>
Partition	<input type="text" value="E911Phones"/>
Description	<input type="text"/>
Numbering Plan*	<input type="text" value="North American Numbering Plan"/>
Route Filter	<input type="text" value=" &lt; None &gt;"/>
Calling Search Space	<input type="text" value="E911CSS"/>
MLPP Precedence	<input type="text" value="Default"/>
Route Option	<input checked="" type="radio"/> Route this pattern <input type="radio"/> Block this pattern <input type="text" value=" - Not Selected -"/>
<input checked="" type="checkbox"/> Provide Outside Dial Tone	<input checked="" type="checkbox"/> Urgent Priority

### Calling Party Transformations

Use Calling Party's External Phone Number Mask

Calling Party Transform Mask	<input type="text"/>
Prefix Digits (Outgoing Calls)	<input type="text"/>
Calling Line ID Presentation	<input type="text" value="Default"/>
Calling Name Presentation	<input type="text" value="Default"/>

### Connected Party Transformations

Connected Line ID Presentation	<input type="text" value="Default"/>
Connected Name Presentation	<input type="text" value="Default"/>

### Called Party Transformations

Discard Digits	<input type="text" value=" &lt; None &gt;"/>
Called Party Transform Mask	<input type="text"/>
Prefix Digits (Outgoing Calls)	<input type="text" value="913"/>

\* indicates required item.



## Find and List CTI Route Points

[Add a New CTI Route Point](#)

2 matching record(s) for Device Name begins with ""

Find CTI Route Points where  begins with

and show  items per page

To list all items, click Find without entering any search text, or use "Device Name is not empty" as the search criteria.

Matching record(s) 1 to 2 of 2

Real-time Information Service returned information for 2 of 2 devices listed below.

<input type="checkbox"/>	Device Name	Description	Device Pool	Status	IP Address	Copy
<input type="checkbox"/>	RP911	RP911	Default	172.20.16.250	172.20.16.250	
<input type="checkbox"/>	RP913	RP913	Default	172.20.16.250	172.20.16.250	

First Previous Next Last

Page  of 1



## CTI Route Point Configuration

[Add a New CTI Route Point](#)  
[Back to Find/List CTI Route Points](#)  
[Dependency Records](#)

### Directory Numbers

- Line 1 - 911 in E911Phones
- Line 2 - Add DN

Device: RP911 (RP911)

Registration: Registered with Cisco CallManager 172.20.16.250

IP Address: 172.20.16.250

Status: Ready

### CTI Route Point Configuration

#### Device Information

Device Name*	<input type="text" value="RP911"/>
Description	<input type="text" value="RP911"/>
Device Pool*	<input type="text" value="Default"/> <a href="#">(View details)</a>
Calling Search Space	<input type="text" value="E911CSS"/>
Location	<input type="text" value=" &lt; None &gt;"/>
Media Resource Group List	<input type="text" value=" &lt; None &gt;"/>
User Hold Audio Source	<input type="text" value=" &lt; None &gt;"/>
Network Hold Audio Source	<input type="text" value=" &lt; None &gt;"/>

\* indicates a required item.



## Directory Number Configuration

[Configure Device \(RP911\)](#)  
[Dependency Records](#)

### Associated With

RP911 (Line 1)

### Directory Number: 911 (E911Phones)

Status: Ready

Note: Any update to this Directory Number automatically resets the associated devices

### Directory Number

Directory Number\*

Partition

### Directory Number Settings

Voice Mail Profile

(Choose <None> to use default)

Calling Search Space

AAR Group

User Hold Audio Source

Network Hold Audio Source

Auto Answer

Not available on this device.

### Call Forward and Pickup Settings

	Voice Mail Destination	Calling Search Space
Forward All	<input type="checkbox"/>	<input type="text" value="&lt; None &gt;"/>
Forward Busy	<input type="checkbox"/>	<input type="text" value="&lt; None &gt;"/>
Forward No Answer	<input type="checkbox"/>	<input type="text" value="&lt; None &gt;"/>
Forward On Failure	<input type="checkbox"/>	<input type="text" value="&lt; None &gt;"/>
No Answer Ring Duration	<input type="text" value=""/>	(seconds)
Call Pickup Group	<input type="text" value="&lt; None &gt;"/>	

### MLPP Alternate Party Settings

Target (Destination)

Calling Search Space

No Answer Ring Duration

(seconds)

### Line Settings for this Device

Display (Internal Caller ID)

Line Text Label

Not available on this device.

External Phone Number Mask

Message Waiting Lamp Policy

Not available on this device.

Ring Setting (Phone Idle)

Not available on this device.

Ring Setting (Phone Active)\*\*

Not available on this device.

### Multiple Call / Call Waiting Settings

Maximum Number of Calls\*

(1 - 10000)

Busy Trigger\*

(<= Max. Calls)

### Forwarded Call Information Display

Caller Name

Caller Number

Redirected Number

Dialed Number

\* indicates required item; changes to Line or Directory Number settings require restart.

### Note:

If you are using a language other than English for Display (Internal Caller ID) or Line Text Label text, make sure the correct character set (shown below) is selected. Text displays incorrectly if the wrong character set is selected. (English characters are included in all character sets.)

Character Set



## CTI Route Point Configuration

[Add a New CTI Route Point](#)  
[Back to Find/List CTI Route Points](#)  
[Dependency Records](#)

### Directory Numbers

- 7718 Line 1 - 913XXXX in E911Phones
- 7719 Line 2 - Add DN

Device: RP913 (RP913)

Registration: Registered with Cisco CallManager 172.20.16.250

IP Address: 172.20.16.250

Status: Ready

### CTI Route Point Configuration

#### Device Information

Device Name*	<input type="text" value="RP913"/>
Description	<input type="text" value="RP913"/>
Device Pool*	<input type="text" value="Default"/> <a href="#">(View details)</a>
Calling Search Space	<input type="text" value="E911CSS"/>
Location	<input type="text" value="&lt; None &gt;"/>
Media Resource Group List	<input type="text" value="&lt; None &gt;"/>
User Hold Audio Source	<input type="text" value="&lt; None &gt;"/>
Network Hold Audio Source	<input type="text" value="&lt; None &gt;"/>

\* indicates a required item.



## Directory Number Configuration

[Configure Device \(RP913\)](#)  
[Dependency Records](#)

### Associated With

RP913 (Line 1)

### Directory Number: 913XXXX (E911Phones)

Status: Ready

Note: Any update to this Directory Number automatically resets the associated devices

Update

Remove from Device

Reset Devices

### Directory Number

Directory Number\* 913XXXX

Partition E911Phones

### Directory Number Settings

Voice Mail Profile <None>  
(Choose <None> to use default)

Calling Search Space E911CSS

AAR Group <None>

User Hold Audio Source <None>

Network Hold Audio Source <None>

Auto Answer Not available on this device.

### Call Forward and Pickup Settings

	Voice Mail	Destination	Calling Search Space
Forward All	<input type="checkbox"/>	<input type="text"/>	<None>
Forward Busy	<input type="checkbox"/>	<input type="text"/>	<None>
Forward No Answer	<input type="checkbox"/>	<input type="text"/>	<None>
Forward On Failure	<input type="checkbox"/>	<input type="text"/>	<None>
No Answer Ring Duration	<input type="text"/>	(seconds)	
Call Pickup Group	<input type="text"/>	<None>	

### MLPP Alternate Party Settings

Target (Destination)

Calling Search Space <None>

No Answer Ring Duration  (seconds)

### Line Settings for this Device

Display (Internal Caller ID)

Line Text Label Not available on this device.

External Phone Number Mask

Message Waiting Lamp Policy Not available on this device.

Ring Setting (Phone Idle) Not available on this device.

Ring Setting (Phone Active)\*\* Not available on this device.

### Multiple Call / Call Waiting Settings

Maximum Number of Calls\* 5000 (1 - 10000)

Busy Trigger\* 4500 (<= Max. Calls)

### Forwarded Call Information Display

Caller Name  Caller Number

Redirected Number  Dialed Number

\* indicates required item; changes to Line or Directory Number settings require restart.

### Note:

If you are using a language other than English for Display (Internal Caller ID) or Line Text Label text, make sure the correct character set (shown below) is selected. Text displays incorrectly if the wrong character set is selected. (English characters are included in all character sets.)

Character Set Western European (Latin 1)





## Configuring the Cisco Emergency Responder

**Cisco Emergency Responder Administration**  
*For Cisco IP Telephony Solutions*

CISCO SYSTEMS



### Cisco Emergency Responder Administration

Details

Copyright (C) 2002-2003 Cisco Systems, Inc. All rights reserved.

Microsoft Internet Explorer

When reporting or troubleshooting a problem, please give the following information to Technical Assistance:

Cisco Emergency Responder Administration version: 1.2 (3)  
Cisco Emergency Responder System version: 1.2 (3)

OK

[Cisco ER System Administration](#)

[Cisco ER Network Administration](#)

[Cisco ER ERL Administration](#)

[Cisco ER User](#)



## Telephony settings

Specify the values for the configuration attributes and then press Update settings.

Status :Ready

UDP Port Begin *	<input type="text" value="32000"/>
Inter Cisco ER Group Route Pattern	<input type="text"/>
PSAP Callback Route Point Pattern *	<input type="text" value="913XXXX"/>
ELIN Digit Strip Pattern *	<input type="text" value="913"/>
Route Point for Primary Cisco ER Server *	<input type="text" value="911"/>
Route Point for Standby Cisco ER Server	<input type="text" value="912"/>

\* indicates required item

Update Settings

Cancel Changes



# Cisco Emergency Responder ERL Administration

For Cisco IP Telephony Solutions



Onsite Alert Settings

Configure Switch Ports

## Find and List ERLs

[Export ERL data](#)  
[Import ERL data](#)

Find Details of ERLs Where  contains

and show  items per page

To list all items, click Find without entering any search text.

[Configure Default ERL](#)  
[Add New ERL](#)

Status : Ready

Click on record to view/edit.

### Matching Records 1 to 5 of 5

ERL Name	Route/Translation Pattern--ELIN	Onsite Alert Ids.	Street Name	Community Name	State	Copy	Delete	Audit Trail
Default	100911--7000		Tasman	cisco	ca			<a href="#">view..</a>
Education Center	102911--7002		Tasman	Big Sky	TX			<a href="#">view..</a>
Elementary	103911--7003		Rain	Big Cloud	TX			<a href="#">view..</a>
High School	101911--7001		Rain	Big Cloud	TX			<a href="#">view..</a>
Meridain Opt 11	104911--7004		Nortel Meridian Opt 11	MC	ca			<a href="#">view..</a>

First | Previous | Next | Last

Page  of 1

[Configure Default ERL](#)  
[Add New ERL](#)



## Find and List Manually Configured Phones

[Add new Manual phone](#)

[Export](#)  
[Import](#)

Find phones where extension

and show  items per page

To list all items, click Find without entering any search text.

### List Manually Configured Phones

Status: Ready

Matching record(s) 1 to 2 of 2

Line Number	ERL Name	IP Address	MAC Address	Delete
2603	Meridain Opt 11			
2604	Meridain Opt 11			

First Previous Next Last

Page  of 1

## Add/Modify Phones

[Back to Phone Search](#)

Status: Please enter any change for the current Manual Phone

### Modify Phones

Line Number \*   
 Phone Type   
 Version   
 IP Address   
 MAC Address   
 ERL Name \*

\* indicates required item



## ERL Information for Meridain Opt 11

\* indicates required item



Help for this screen

ERL Name \* **Meridain Opt 11**

Notes

Test ERL (Select if this ERL is used for Synthetic Testing)

### ELIN Settings

Route/Translation pattern

Add

Update

ELIN

Remove

### Onsite Alert Settings

Available Onsite Alert IDs

Onsite Alert IDs for the ERL



### ERL Address

[ALI Details](#)

Update

Copy

Cancel Changes

Close



## ALI Information for Meridain Opt 11

\* indicates required item

Help for this screen

Fill all prevalidated fields from validation file by selecting a tag.

Select a tag

[-Not Selected-]

Save your validation file as C:\Program Files\Cisco Systems\CiscoER\nea\_msag\_records\validate.txt on CER-P

For sample validation file refer C:\Program Files\Cisco Systems\CiscoER\nea\_msag\_records\samplevalidate.txt on CEI

House Number *	<input type="text" value="123"/>	House Number Suffix	<input type="text"/>
Street Name *	<input type="text" value="Nortel Meridian Opt 11"/>	Prefix Directional	<input type="text"/>
Street Suffix	<input type="text" value="EXT"/> [-Select one-]	Post Directional	<input type="text"/>
Community Name *	<input type="text" value="MC"/>	State *	<input type="text" value="ca"/>
Main NPA	<input type="text"/>	Main Telephone No	<input type="text"/>
Class Of Service *	<input type="text" value="Business PBX"/>	Type of Service *	<input type="text" value="Non-Pub"/>
Exchange	<input type="text"/>	Customer Name *	<input type="text" value="Meridian PBX"/>
Order Number	<input type="text"/>	Extract Date	<input type="text" value="112204"/>
County ID	<input type="text"/>	Company ID *	<input type="text" value="45678"/>
Zip Code	<input type="text"/>	Zip Code Extension	<input type="text"/>
Customer Code *	<input type="text" value="123"/>	Comments	<input type="text"/>
Longitude	<input type="text"/>	Latitude	<input type="text"/>
Elevation	<input type="text"/>	TAR Code	<input type="text"/>
Location	<input type="text"/>	Reserved (for Service Provider use)	<input type="text"/>

Update ALI Info

Cancel Changes

Close



## ERL Information for Education Center

\* indicates required item



Help for this screen

ERL Name \* **Education Center**

Notes

Test ERL (Select if this ERL is used for Synthetic Testing)

### ELIN Settings

Route/Translation pattern

Add

Update

Remove

ELIN

### Onsite Alert Settings

Available Onsite Alert IDs



Onsite Alert IDs for the ERL

### ERL Address

[ALI Details](#)

Update

Copy

Cancel Changes

Close



## ALI Information for Education Center

\* indicates required item

? Help for this screen

Fill all prevalidated fields from validation file by selecting a tag.

Select a tag

—Not Selected—

Save your validation file as C:\Program Files\Cisco Systems\CiscoER\ena\_msag\_records\validate.txt on CER-P

For sample validation file refer C:\Program Files\Cisco Systems\CiscoER\ena\_msag\_records\samplevalidate.txt on CEI

House Number *	<input type="text" value="150"/>	House Number Suffix	<input type="text"/>
Street Name *	<input type="text" value="Tasman"/>	Prefix Directional	<input type="text"/>
Street Suffix	<input type="text" value="DR"/> <input type="text" value="-Select one-"/>	Post Directional	<input type="text"/>
Community Name *	<input type="text" value="Big Sky"/>	State *	<input type="text" value="TX"/>
Main NPA	<input type="text"/>	Main Telephone No	<input type="text"/>
Class Of Service *	<input type="text" value="Business"/>	Type of Service *	<input type="text" value="FX in 911 area"/>
Exchange	<input type="text"/>	Customer Name *	<input type="text" value="School District"/>
Order Number	<input type="text"/>	Extract Date	<input type="text" value="101404"/>
County ID	<input type="text"/>	Company ID *	<input type="text" value="12345"/>
Zip Code	<input type="text" value="95134"/>	Zip Code Extension	<input type="text"/>
Customer Code *	<input type="text" value="123"/>	Comments	<input type="text"/>
Longitude	<input type="text"/>	Latitude	<input type="text"/>
Elevation	<input type="text"/>	TAR Code	<input type="text"/>
Location	<input type="text"/>	Reserved (for Service Provider use)	<input type="text"/>

Update ALI Info

Cancel Changes

Close





## Switch Port Details

Find **Configure** Export Import

### View Switch Port Information

Find ports where  All  Any of the conditions are satisfied

ERL Name  contains

Find More

[Edit Table View](#)

Matching record(s) 1 to 50 of 51

ERL Name	Switch IP Address	IfName	Location	Phone Extension	Phone IP Address	Phone Type	Port Name
	172.20.43.20	1/1	<a href="#">View</a>				
	172.20.43.20	1/2	<a href="#">View</a>				
	172.20.43.20	15/1	<a href="#">View</a>				
	172.20.43.20	3/1	<a href="#">View</a>				
	172.20.43.20	3/2	<a href="#">View</a>				
	172.20.43.20	3/3	<a href="#">View</a>				
	172.20.43.20	3/4	<a href="#">View</a>				
	172.20.43.20	3/5	<a href="#">View</a>				
	172.20.43.20	3/6	<a href="#">View</a>				
	172.20.43.20	3/7	<a href="#">View</a>				
	172.20.43.20	3/8	<a href="#">View</a>				
	172.20.43.20	3/9	<a href="#">View</a>				
	172.20.43.20	3/10	<a href="#">View</a>				
	172.20.43.20	3/11	<a href="#">View</a>				
	172.20.43.20	3/12	<a href="#">View</a>				
	172.20.43.20	3/13	<a href="#">View</a>				
	172.20.43.20	3/14	<a href="#">View</a>				
	172.20.43.20	3/15	<a href="#">View</a>				
	172.20.43.20	3/16	<a href="#">View</a>				
	172.20.43.20	3/17	<a href="#">View</a>				
	172.20.43.20	3/18	<a href="#">View</a>				
	172.20.43.20	3/19	<a href="#">View</a>				
	172.20.43.20	3/20	<a href="#">View</a>				
	172.20.43.20	3/21	<a href="#">View</a>				



	172.20.43.20	3/22	<a href="#">View</a>			
	172.20.43.20	3/23	<a href="#">View</a>			
	172.20.43.20	3/24	<a href="#">View</a>			
Education Center	172.20.43.20	3/25	Education Cente.. <a href="#">View</a>	2002	172.20.16.102	Cisco 7960
Education Center	172.20.43.20	3/26	Education Cente.. <a href="#">View</a>			
Education Center	172.20.43.20	3/27	Education Cente.. <a href="#">View</a>			
Education Center	172.20.43.20	3/28	Education Cente.. <a href="#">View</a>			
Elementary	172.20.43.20	3/29	router port <a href="#">View</a>			
Elementary	172.20.43.20	3/30	Elementary <a href="#">View</a>			
Elementary	172.20.43.20	3/31	Elementary <a href="#">View</a>			
Elementary	172.20.43.20	3/32	Elementary <a href="#">View</a>	2003	172.20.16.101	Cisco 7940
High School	172.20.43.20	3/33	High School <a href="#">View</a>			
High School	172.20.43.20	3/34	High School <a href="#">View</a>	2001	172.20.16.103	Cisco 7960
High School	172.20.43.20	3/35	High School <a href="#">View</a>			
High School	172.20.43.20	3/36	High School <a href="#">View</a>			
	172.20.43.20	3/37	<a href="#">View</a>			
	172.20.43.20	3/38	<a href="#">View</a>			
	172.20.43.20	3/39	<a href="#">View</a>			
	172.20.43.20	3/40	<a href="#">View</a>			
	172.20.43.20	3/41	<a href="#">View</a>			
	172.20.43.20	3/42	<a href="#">View</a>			
	172.20.43.20	3/43	<a href="#">View</a>			
	172.20.43.20	3/44	<a href="#">View</a>			
	172.20.43.20	3/45	<a href="#">View</a>			
	172.20.43.20	3/46	<a href="#">View</a>			
	172.20.43.20	3/47	<a href="#">View</a>			

First Previous [Next](#) [Last](#)

Page  of 2

[Edit Table View](#)



## Configuring the Cisco Catalyst 6608 MGCP Gateway

System Route Plan Service Feature Device User Application Help

**Cisco CallManager Administration**  
For Cisco IP Telephony Solutions



### Gateway Configuration

[Back to Find/List Gateways](#)  
[Dependency Records](#)

**Product : Cisco Catalyst 6000 T1 VoIP Gateway**  
**Gateway : S0/DS1-0@SDA0001C9D93A98**  
**Device Protocol: Digital Access PRI**  
**Registration: Registered with Cisco CallManager 172.20.16.250**  
**IP Address: [172.20.16.100](#)**

Status: Update completed.

#### Device Information

MAC Address*	<input type="text" value="0001C9D93A98"/>
Description	<input type="text" value="6608 T1 PRI"/>
Device Pool*	<input type="text" value="Default"/>
Network Locale	<input type="text" value="United States"/>
Media Resource Group List	<input type="text" value=" &lt; None &gt;"/>
Location	<input type="text" value=" &lt; None &gt;"/>
AAR Group	<input type="text" value=" &lt; None &gt;"/>
Load Information	<input type="text"/>

#### Multilevel Precedence and Preemption (MLPP) Information

MLPP Domain (e.g., "0000FF")	<input type="text"/>
MLPP Indication	<input type="text" value="Off"/>
MLPP Preemption	<input type="text" value="Disabled"/>

#### Interface Information

PRI Protocol Type*	<input type="text" value="PRI DMS-100"/>
Protocol Side*	<input type="text" value="Network"/>
Channel Selection Order*	<input type="text" value="Bottom Up"/>
Channel IE Type*	<input type="text" value="Use Number when 1B"/>
PCM Type*	<input type="text" value="μ-law"/>
Delay for first restart (1/8 sec ticks)	<input type="text" value="32"/>
Delay between restarts (1/8 sec ticks)	<input type="text" value="4"/>

Inhibit restarts at PRI initialization

Enable status poll



### Call Routing Information

#### Inbound Calls

Significant Digits*	All
Calling Search Space	E911CSS
AAR Calling Search Space	< None >
Prefix DN	

#### Outbound Calls

Calling Line ID Presentation*	Default
Calling Party Selection*	Originator
Called party IE number type unknown*	Cisco CallManager
Calling party IE number type unknown*	Cisco CallManager
Called Numbering Plan*	Cisco CallManager
Calling Numbering Plan*	Cisco CallManager
Number of digits to strip*	0
Caller ID DN	
SMDI Base Port*	0

#### PRI Protocol Type Specific Information

- Display IE Delivery
- Redirecting Number IE Delivery - Outbound
- Redirecting Number IE Delivery - Inbound
- Send Extra Leading Character In DisplayIE\*\*\*
- Setup non-ISDN Progress Indicator IE Enable\*\*\*\*
- MCDN Channel Number Extension Bit Set to Zero\*\*
- Send Calling Name In Facility IE
- Interface Identifier Present\*\*

Interface Identifier Value**	0
Connected Line ID Presentation (QSIG Inbound Call)*	Default
Connected PBX Model	None



### PRI Protocol Type Specific Information

- Display IE Delivery
- Redirecting Number IE Delivery - Outbound
- Redirecting Number IE Delivery - Inbound
- Send Extra Leading Character In DisplayIE\*\*\*
- Setup non-ISDN Progress Indicator IE Enable\*\*\*\*
- MCDN Channel Number Extension Bit Set to Zero\*\*
- Send Calling Name In Facility IE
- Interface Identifier Present\*\*

Interface Identifier Value\*\*

Connected Line ID Presentation (QSIG Inbound Call)\*

Connected PBX Model

### Product Specific Configuration

Clock Reference\*

TX-Level CSU\*

FDL Channel\*

Framing\*

Audio Signal Adjustment into IP Network\*

Audio Signal Adjustment from IP Network\*

Yellow Alarm\*

Zero Suppression\*

Digit On Duration(50-500ms)\*

Interdigit Duration(50-500msec)\*

SNMP Community String

Disable SNMP Set operations\*

Debug Port Enable\*

Hold Tone Silence Duration\*

Port Used for Voice Calls\*

Port Used for Modem Calls\*

Port Used for Fax Calls\*



#### Fax and Modem Parameters

Fax Relay Enable*	<input checked="" type="checkbox"/>
Fax Error Correction Mode Override*	<input checked="" type="checkbox"/>
Maximum Fax Rate*	14400bps
Fax Payload Size*	20
Non Standard Facilities Country Code*	65535
Non Standard Facilities Vendor Code*	65535
Fax/Modem Packet Redundancy*	<input type="checkbox"/>
NSE Type*	Non-IOS Gateways

#### Playout Delay Parameters

Initial Playout Delay*	40
Minimum Playout Delay*	20
Maximum Playout Delay*	150

#### Echo Canceller Configuration

Echo TailLength (ms)*	32 ms
Minimum ERL (db)*	6 db

\* indicates required item

\*\* applicable to DMS-100 protocol only

\*\*\* applicable to DMS-100 protocol and DMS-250 protocol only

\*\*\*\* may be required to force ringback from some PBXs



## Configuring the Cisco 2611XM MGCP Gateway

System Route Plan Service Feature Device User Application Help

**Cisco CallManager Administration**  
For Cisco IP Telephony Solutions



### Gateway Configuration

[Back to Find/List Gateways](#)

**Product: Cisco 26XX**

**Gateway : 2611XM-CAMA**

Status: Ready

Domain Name*	<input type="text" value="2611XM-CAMA"/>
Description	<input type="text" value="2611XM-CAMA"/>
Cisco CallManager Group*	<input type="text" value="Default"/>

#### Installed Voice Interface Cards

#### Endpoint Identifiers

Module in slot 0	<input type="text" value="&lt; None &gt;"/>		
Module in slot 1	<input type="text" value="NM-2V"/>		
Subunit 0	<input type="text" value="VIC-2FXO"/>	(1/0/ 0)	(1/0/ 1)
Subunit 1	<input type="text" value="VIC-2FXS"/>	(1/1/ 0)	(1/1/ 1)

#### Product Specific Configuration



Switchback Timing*	<input type="text" value="Graceful"/>
Switchback uptime-delay (min)	<input type="text" value="10"/>
Switchback schedule (hh:mm)	<input type="text" value="12:00"/>

\* indicates required item

[Back to Find/List Gateways](#)



# Gateway Configuration

[Back to main Gateway Configuration](#)

[Back to Find/List Gateways](#)

[Dependency Records](#)

### Slot 1 / Sub-Unit 0

LS	1/0/0	
LS	1/0/1	

Product : Cisco 26XX

Gateway : AALN/S1/SU0/0@2611XM-CAMA

Registration: Registered with Cisco CallManager 172.20.16.250

IP Address: 172.20.16.50

### Slot 1 / Sub-Unit 1

POTS	1/1/0	2100
POTS	1/1/1	2101

Status: Ready

### Gateway Information

Description	AALN/S1/SU0/0@2611XM-CAMA
Device Pool*	Default
Calling Search Space	E911CSS
AAR Calling Search Space	< None >
Media Resource Group List	< None >
Location	< None >
AAR Group	< None >
Network Locale	United States

### Multilevel Precedence and Preemption (MLPP) Information

MLPP Domain	<input type="text" value=""/> (e.g., "0000FF")
MLPP Indication	Not available on this device
MLPP Preemption	Not available on this device

### Port Information

Port Direction*	Outbound
Attendant DN*	2000

### Product Specific Configuration

Hookflash Timer (50-1550ms)*	50
Inter-digit Duration Timer (50-500 ms)*	100
Input Gain (-6-14 db)*	0
Output Attenuation (0-14 db)*	3
Echo Cancellation Enable*	Enable
Echo Cancellation Coverage (ms)*	Default





2611XM-CAMA#sho ver

Cisco Internetwork Operating System Software

IOS (tm) C2600 Software (C2600-IPVOICE-M), Version 12.3(10), RELEASE SOFTWARE (f  
c3)

Copyright (c) 1986-2004 by cisco Systems, Inc.

Compiled Tue 17-Aug-04 05:11 by kellythw

Image text-base: 0x80008098, data-base: 0x81805F0C

ROM: System Bootstrap, Version 12.2(7r) [cmong 7r], RELEASE SOFTWARE (fc1)

2611XM-CAMA uptime is 3 days, 1 hour, 11 minutes

System returned to ROM by power-on

System image file is "flash:c2600-ipvoice-mz.123-10.bin"

cisco 2611XM (MPC860P) processor (revision 0x100) with 61440K/4096K bytes of mem  
ory.

Processor board ID JAD07060AU8 (1524871317)

M860 processor: part number 5, mask 2

Bridging software.

X.25 software, Version 3.0.0.

2 FastEthernet/IEEE 802.3 interface(s)

2 Voice FXO interface(s)

2 Voice FXS interface(s)

32K bytes of non-volatile configuration memory.

49152K bytes of processor board System flash (Read/Write)

Configuration register is 0x2102

2611XM-CAMA#show running-config

Building configuration...



```
Current configuration : 2174 bytes
!
version 12.3
service timestamps debug uptime
service timestamps log uptime
no service password-encryption
!
hostname 2611XM-CAMA
!
boot-start-marker
boot-end-marker
!
no logging on
!
clock timezone gmt -8
no network-clock-participate slot 1
no network-clock-participate wic 0
no aaa new-model
ip subnet-zero
ip cef
ip tcp synwait-time 13
!
no ip domain lookup
no ftp-server write-enable
!
ccm-manager mgcp
ccm-manager music-on-hold
ccm-manager config server 172.20.16.250
ccm-manager config
!
interface FastEthernet0/0
ip address 172.20.16.50 255.255.255.0
```



```
no ip route-cache cef
no ip route-cache
no ip mroute-cache
duplex auto
speed 100
no keepalive
no cdp enable
no clns route-cache
!
interface FastEthernet0/1
no ip address
no ip route-cache cef
no ip route-cache
no ip mroute-cache
shutdown
speed 100
full-duplex
no clns route-cache
!
ip classless
ip route 0.0.0.0 0.0.0.0 FastEthernet0/0
no ip http server
!
no logging trap
!
voice-port 1/0/0
signal cama KP-NPD-NXX-XXXX-ST
dial-type mf
!
voice-port 1/0/1
signal cama KP-NPD-NXX-XXXX-ST
dial-type mf
```



```
!  
voice-port 1/1/0  
!  
voice-port 1/1/1  
!  
mgcp  
mgcp call-agent 172.20.16.250 2427 service-type mgcp version 0.1  
mgcp dtmf-relay voip codec all mode out-of-band  
mgcp rtp unreachable timeout 1000 action notify  
mgcp modem passthrough voip mode nse  
mgcp package-capability rtp-package  
no mgcp package-capability res-package  
mgcp package-capability sst-package  
no mgcp package-capability fxr-package  
no mgcp timer receive-rtcp  
mgcp sdp simple  
mgcp fax t38 inhibit  
mgcp rtp payload-type g726r16 static  
!  
mgcp profile default  
!  
dial-peer cor custom  
!  
dial-peer voice 100 pots  
  application mgcpapp  
  port 1/0/0  
!  
dial-peer voice 101 pots  
  application mgcpapp  
  port 1/0/1  
!  
dial-peer voice 110 pots
```



```
application mgcpapp
port 1/1/0
!
dial-peer voice 999100 pots
application mgcpapp
port 1/0/0
!
dial-peer voice 999101 pots
application mgcpapp
port 1/0/1
!
dial-peer voice 999110 pots
application mgcpapp
port 1/1/0
!
dial-peer voice 999111 pots
application mgcpapp
port 1/1/1
!
line con 0
exec-timeout 0 0
login
line aux 0
line vty 0 4
login
!
end
```

```
2611XM-CAMA#sho voice port 1/0/0
```

```
Foreign Exchange Office (CAMA) 1/0/0 Slot is 1, Sub-unit is 0, Port is 0
Type of VoicePort is FXO
Operation State is DORMANT
```



Administrative State is UP  
The Last Interface Down Failure Cause is Administrative Shutdown  
Description is not set  
Noise Regeneration is enabled  
Non Linear Processing is enabled  
Non Linear Mute is disabled  
Non Linear Threshold is -21 dB  
Music On Hold Threshold is Set to -38 dBm  
In Gain is Set to 0 dB  
Out Attenuation is Set to 3 dB  
Echo Cancellation is enabled  
Echo Cancellation NLP mute is disabled  
Echo Cancellation NLP threshold is -21 dB  
Echo Cancel Coverage is set to 8 ms  
Echo Cancel worst case ERL is set to 6 dB  
Playout-delay Mode is set to adaptive  
Playout-delay Nominal is set to 60 ms  
Playout-delay Maximum is set to 200 ms  
Playout-delay Minimum mode is set to default, value 40 ms  
Playout-delay Fax is set to 300 ms  
Connection Mode is normal  
Connection Number is not set  
Initial Time Out is set to 10 s  
Interdigit Time Out is set to 10 s  
Call Disconnect Time Out is set to 60 s  
Ringing Time Out is set to 180 s  
Wait Release Time Out is set to 30 s  
Companding Type is u-law  
Region Tone is set for US

Analog Info Follows:  
Currently processing none



Maintenance Mode Set to None (not in mtc mode)

Number of signaling protocol errors are 18

Impedance is set to 600r Ohm

Station name None, Station number None

Translation profile (Incoming):

Translation profile (Outgoing):

Voice card specific Info Follows:

Signal Type is cama

Cama Type is KP-NPD-NXX-XXXX-ST

NPD to NPA mapping is :

NPD	NPA
0	0
1	0
2	0
3	0

Battery-Reversal is enabled

Number Of Rings is set to 1

Supervisory Disconnect is signal

Answer Supervision is inactive

Hook Status is On Hook

Ring Detect Status is inactive

Ring Ground Status is inactive

Tip Ground Status is inactive

Dial Out Type is mf

Digit Duration Timing is set to 75 ms

InterDigit Duration Timing is set to 65 ms

Pulse Rate Timing is set to 10 pulses/second

InterDigit Pulse Duration Timing is set to 750 ms

Percent Break of Pulse is 60 percent

GuardOut timer is 2000 ms

Minimum ring duration timer is 125 ms



Hookflash-in Timing is set to 600 ms

Hookflash-out Timing is set to 400 ms

#### Important Information

THE SPECIFICATIONS AND INFORMATION REGARDING THE PRODUCTS IN THIS MANUAL ARE SUBJECT TO CHANGE WITHOUT NOTICE. ALL STATEMENTS, INFORMATION, AND RECOMMENDATIONS IN THIS MANUAL ARE BELIEVED TO BE ACCURATE BUT ARE PRESENTED WITHOUT WARRANTY OF ANY KIND, EXPRESS OR IMPLIED. USERS MUST TAKE FULL RESPONSIBILITY FOR THEIR APPLICATION OF ANY PRODUCTS.

IN NO EVENT SHALL CISCO OR ITS SUPPLIERS BE LIABLE FOR ANY INDIRECT, SPECIAL, CONSEQUENTIAL, OR INCIDENTAL DAMAGES, INCLUDING, WITHOUT LIMITATION, LOST PROFITS OR LOSS OR DAMAGE TO DATA ARISING OUT OF THE USE OR INABILITY TO USE THIS MANUAL, EVEN IF CISCO OR ITS SUPPLIERS HAVE BEEN ADVISED OF THE POSSIBILITY OF SUCH DAMAGES.



**Corporate Headquarters**

Cisco Systems, Inc.  
170 West Tasman Drive  
San Jose, CA 95134-1706  
USA  
www.cisco.com  
Tel: 408 526-4000  
800 553-NETS (6387)  
Fax: 408 526-4100

**European Headquarters**

Cisco Systems International  
BV  
Haarlerbergpark  
Haarlerbergweg 13-19  
1101 CH Amsterdam  
The Netherlands  
www-europe.cisco.com  
Tel: 31 0 20 357 1000  
Fax: 31 0 20 357 1100

**Americas Headquarters**

Cisco Systems, Inc.  
170 West Tasman Drive  
San Jose, CA 95134-1706  
USA  
www.cisco.com  
Tel: 408 526-7660  
Fax: 408 527-0883

**Asia Pacific Headquarters**

Cisco Systems, Inc.  
Capital Tower  
168 Robinson Road  
#22-01 to #29-01  
Singapore 068912  
www.cisco.com  
Tel: +65 317 7777  
Fax: +65 317 7799

Cisco Systems has more than 200 offices in the following countries and regions. Addresses, phone numbers, and fax numbers are listed on **the Cisco Web site at [www.cisco.com/go/offices](http://www.cisco.com/go/offices).**

Argentina • Australia • Austria • Belgium • Brazil • Bulgaria • Canada • Chile • China PRC • Colombia • Costa Rica • Croatia • Czech Republic • Denmark • Dubai, UAE • Finland • France • Germany • Greece • Hong Kong SAR • Hungary • India • Indonesia • Ireland • Israel • Italy • Japan • Korea • Luxembourg • Malaysia • Mexico • The Netherlands • New Zealand • Norway • Peru • Philippines • Poland • Portugal • Puerto Rico • Romania • Russia • Saudi Arabia • Scotland • Singapore • Slovakia • Slovenia • South Africa • Spain • Sweden • Switzerland • Taiwan • Thailand • Turkey • Ukraine • United Kingdom • United States • Venezuela • Vietnam • Zimbabwe

Copyright © 2005 Cisco Systems, Inc. All rights reserved. CCSP, the Cisco Square Bridge logo, Follow Me Browsing, and StackWise are trademarks of Cisco Systems, Inc.; Changing the Way We Work, Live, Play, and Learn, and iQuick Study are service marks of Cisco Systems, Inc.; and Access Registrar, Aironet, ASIST, BPX, Catalyst, CCDA, CCDP, CCIE, CCIP, CCNA, CCNP, Cisco, the Cisco Certified Internetwork Expert logo, Cisco IOS, Cisco Press, Cisco Systems, Cisco Systems Capital, the Cisco Systems logo, Cisco Unity, Empowering the Internet Generation, Enterprise/Solver, EtherChannel, EtherFast, EtherSwitch, Fast Step, FormShare, GigaDrive, GigaStack, HomeLink, Internet Quotient, IOS, IP/TV, iQ Expertise, the iQ logo, iQ Net Readiness Scorecard, LightStream, Linksys, MeetingPlace, MGX, the Networkers logo, Networking Academy, Network Registrar, *Packet*, PIX, Post-Routing, Pre-Routing, ProConnect, RateMUX, ScriptShare, SlideCast, SMARTnet, StrataView Plus, SwitchProbe, TeleRouter, The Fastest Way to Increase Your Internet Quotient, TransPath, and VCO are registered trademarks of Cisco Systems, Inc. and/or its affiliates in the United States and certain other countries.

All other trademarks mentioned in this document or Website are the property of their respective owners. The use of the word partner does not imply a partnership relationship between Cisco and any other company. (0501R)

Printed in the USA